

Trex Privacy Installation Guide

All packages should be opened and inspected for hidden damage upon receipt. Any missing or damaged components should be noted on the delivery receipt with the carrier before accepting the shipment. All items should be repackaged and stored where protected from moisture, dirt, and excessive heat. Do not wrap material so that heat or moisture can become trapped. Ensure that items are level, fully supported, and have airflow between parts. Damage from improper storage is not considered shipping damage and is not covered by product warranties. Handle materials so as to protect materials, coatings, fabric and finishes during transportation and installation to prevent damage or staining.

It is the responsibility of the installer to meet or exceed all code and safety requirements, and to obtain all required building permits. These instructions are only a guide, and may not address every circumstance. The installer should determine and implement appropriate installation techniques for each situation. Structureworks shall not be held liable for improper or unsafe installations.

Recommended Tools

The tools required for installation will vary depending on mounting surface and the hardware used.

- Pencil
- 4' Level
- Drill
- String Line
- Caulk Gun
- Hole-Cleaning Brush
- Adjustable Wrench
- Impact Driver w/ Phillips Bit
- Tape Measure
- Socket Wrench w/ Sockets
- Compressed Air

Required Materials

Depending on the mounting surface, additional materials such as anchoring epoxy or hardware may be needed.

Cleaning and Maintenance

Use a combination of Simple Green All-Purpose Cleaner and hot water with a soft bristle brush. Clean after installation and on an annual basis. For more difficult to clean marks, a Mr. Clean Magic Eraser can be used.

Layout

Posts must be located precisely and variations in the height of the mounting surface must be accounted for by leveling each post. The privacy panels will not install correctly if the posts are installed out of square or out of level from one another.

Paint Touch-Up

In the event of scratching or chipping, touch up the painted surface with the included brush. Apply light coats in order to allow the paint to flow and dry with a smooth finish.

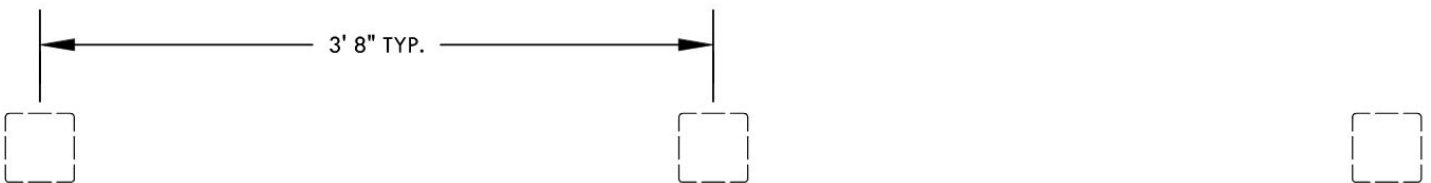
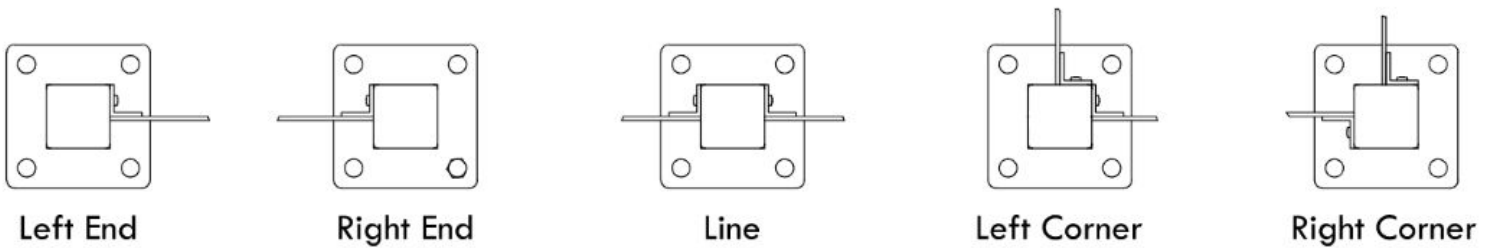
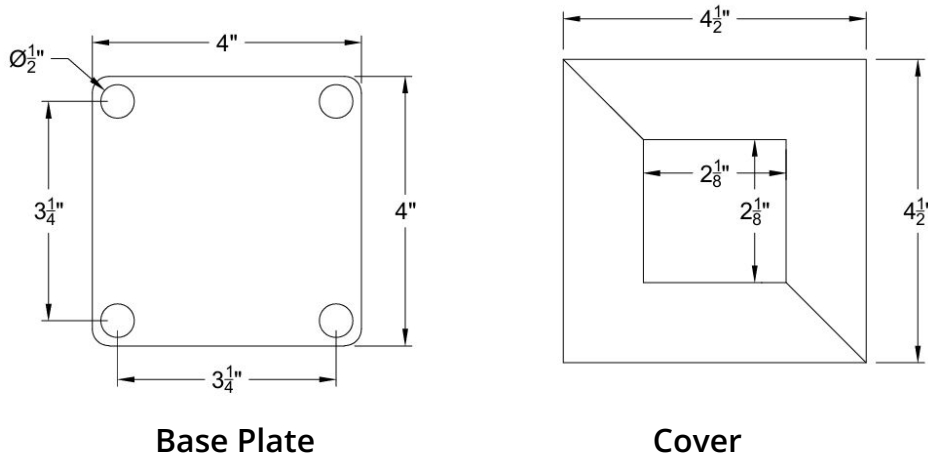
Prepare for Installation

Use a string line to establish a straight reference line for positioning the post base plates.

Begin installing the privacy screen at one end, then continue sequentially down the line, attaching each panel and post in order. All posts must be anchored to a structurally sound surface, such as wood or masonry. For masonry, use threaded rods with epoxy or expansion anchors. For wood, use lag screws or threaded rods inserted through pre-drilled holes.

Post can be positioned in various orientations to accommodate different layout configurations.

A base plate cover is provided to conceal anchoring hardware.

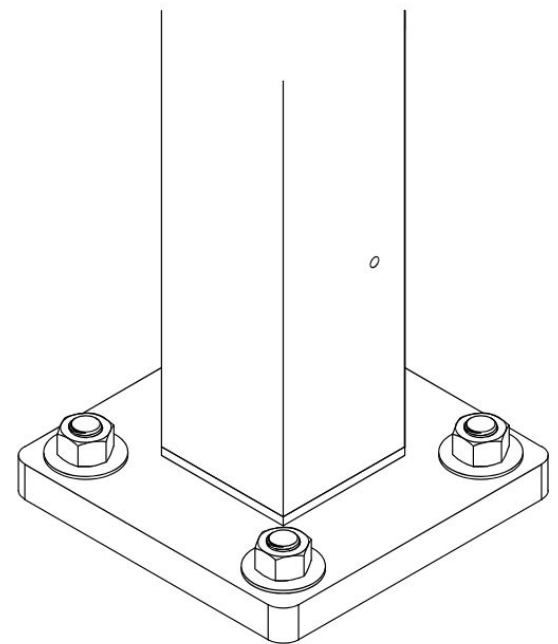
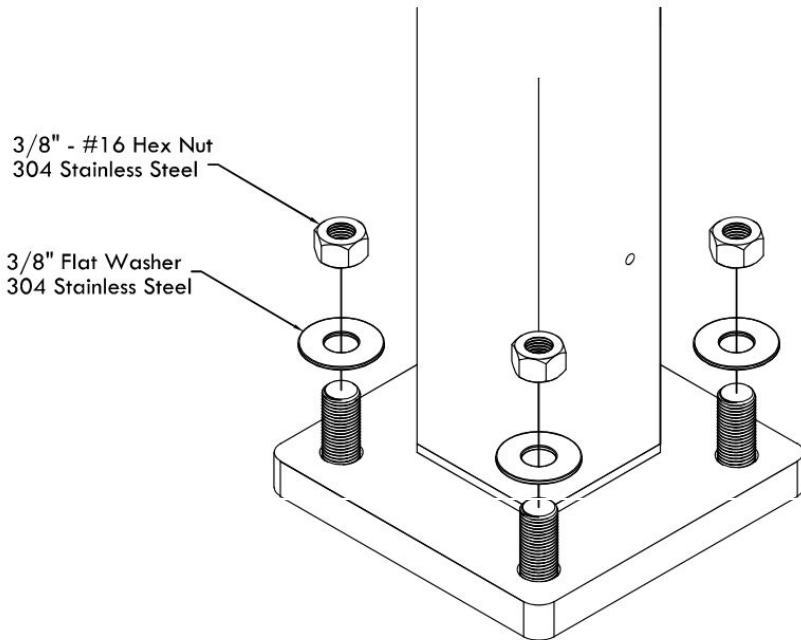


Install First Post

Align the first base plate with the string line and mark the hole locations. Pre-drill the holes and thoroughly clean out any debris.

Position the post, ensuring it is plumb and properly aligned with the string line before fully tightening the hardware. If the mounting surface is uneven, use flat washers or non-shrink grout to shim the post and achieve proper leveling.

Secure the base plate to the surface using hardware appropriate for the mounting surface.

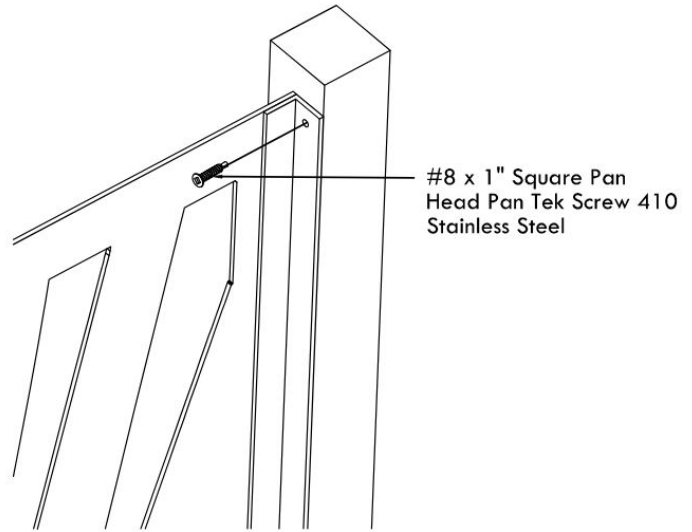
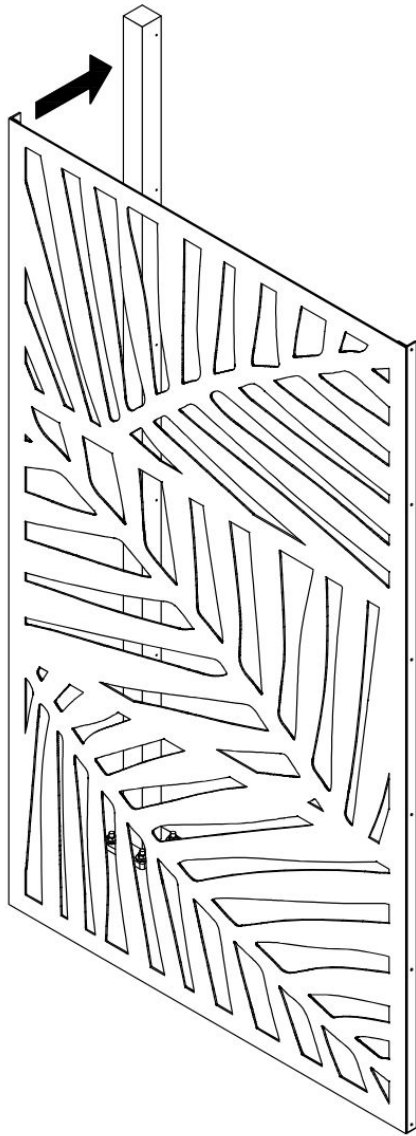


Sequence Reference



Install First Screen Panel

Align the holes in the screen panel's L-channel with the corresponding holes in the post. Secure the panel to the post using the provided screws.



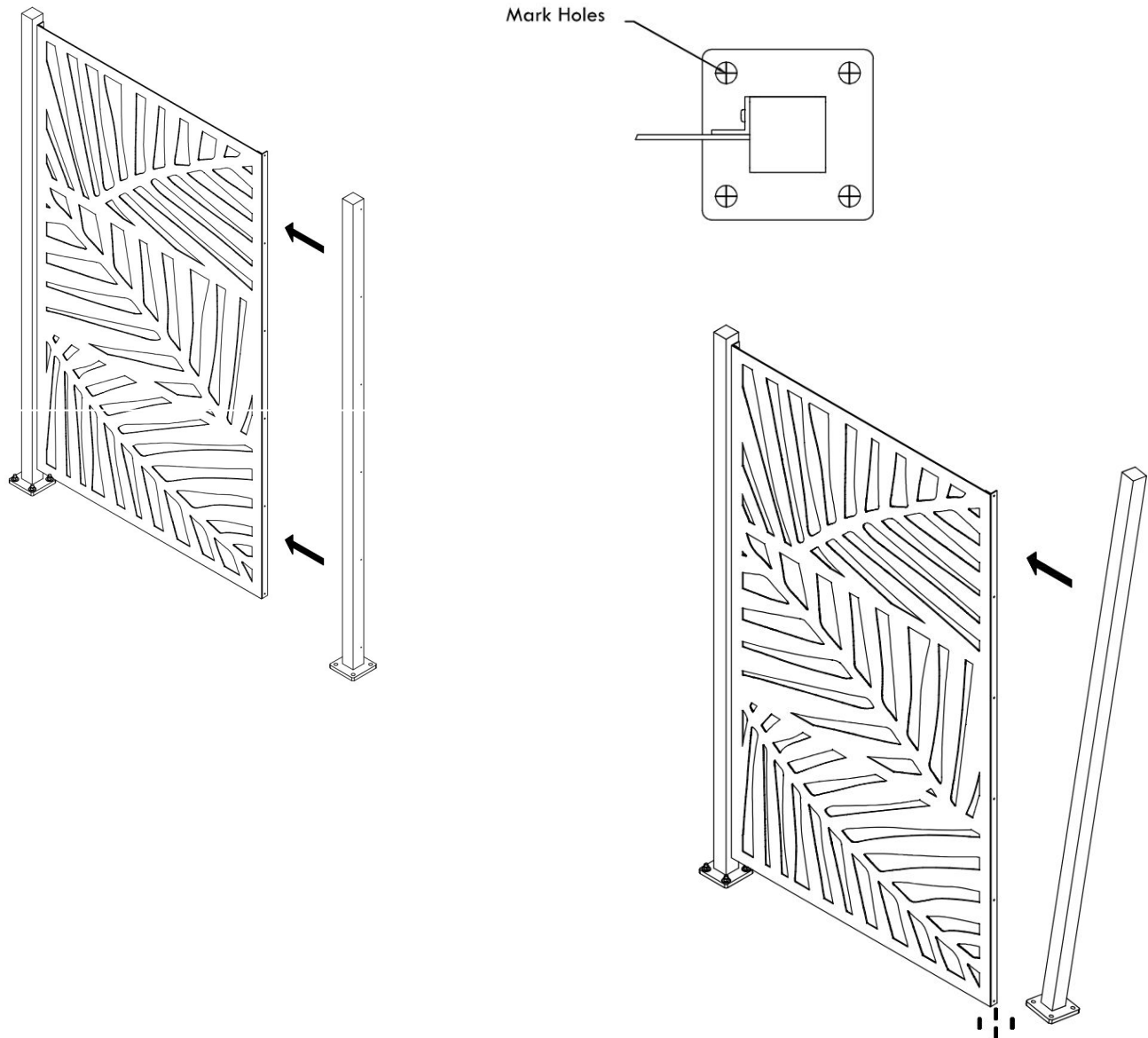
Sequence Reference



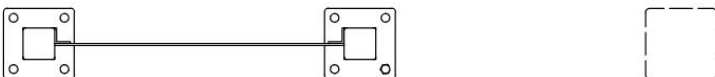
Install Second Post

Align the second post base plate with the string line and hold the post in position against the screen panel. Mark the hole locations, then anchor the post to the mounting surface using the same steps previously outlined.

Once secured, align the holes in the screen panel's L-channel with the corresponding holes in the post. Secure the panel to the post using the provided screws.

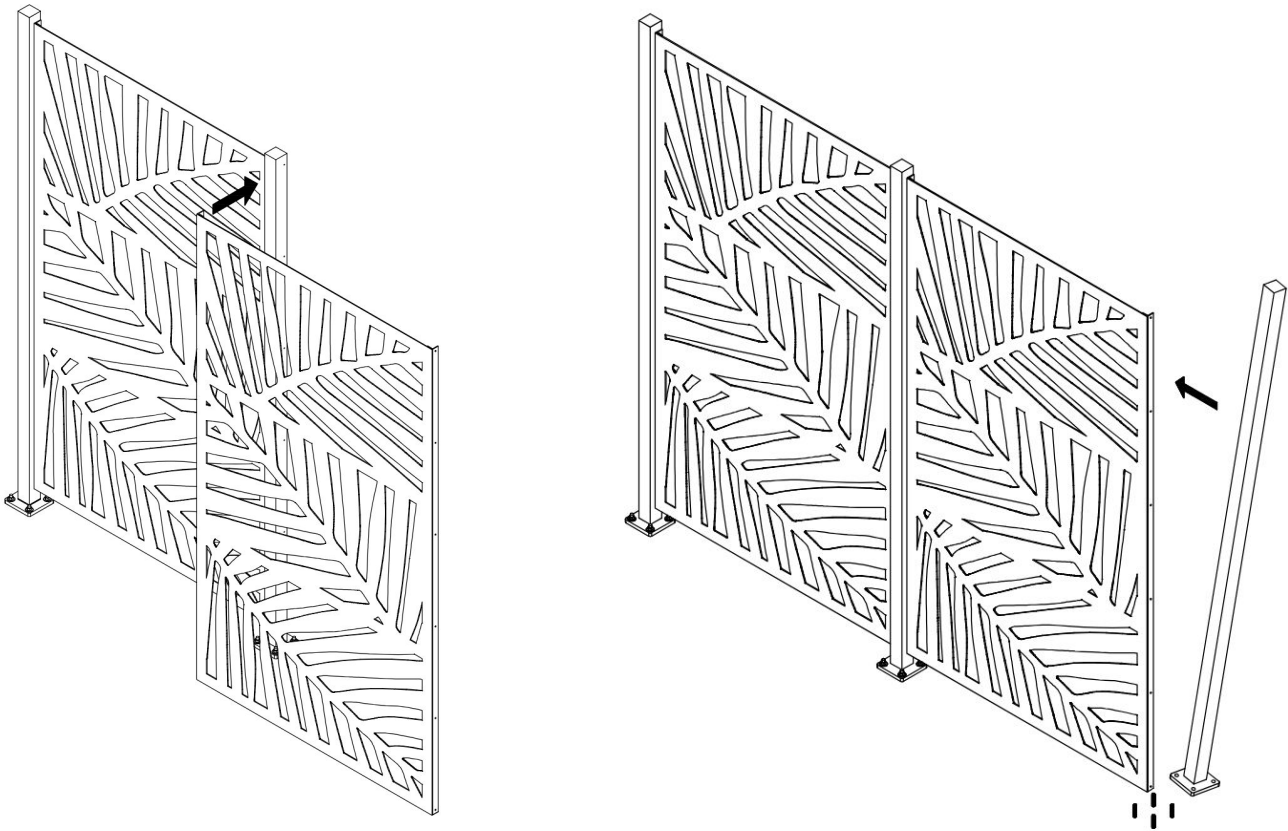


Sequence Reference

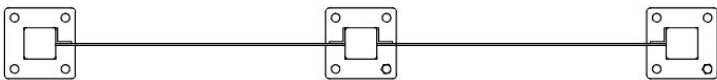


Install Additional Panels and Posts

If your layout includes additional panels and posts, continue the installation using the same methods previously described.



Sequence Reference



Install Base Plate Covers

Place the two halves of the base plate cover over the top of the base plate and slide together. Once the two halves are in place attach with screws.

