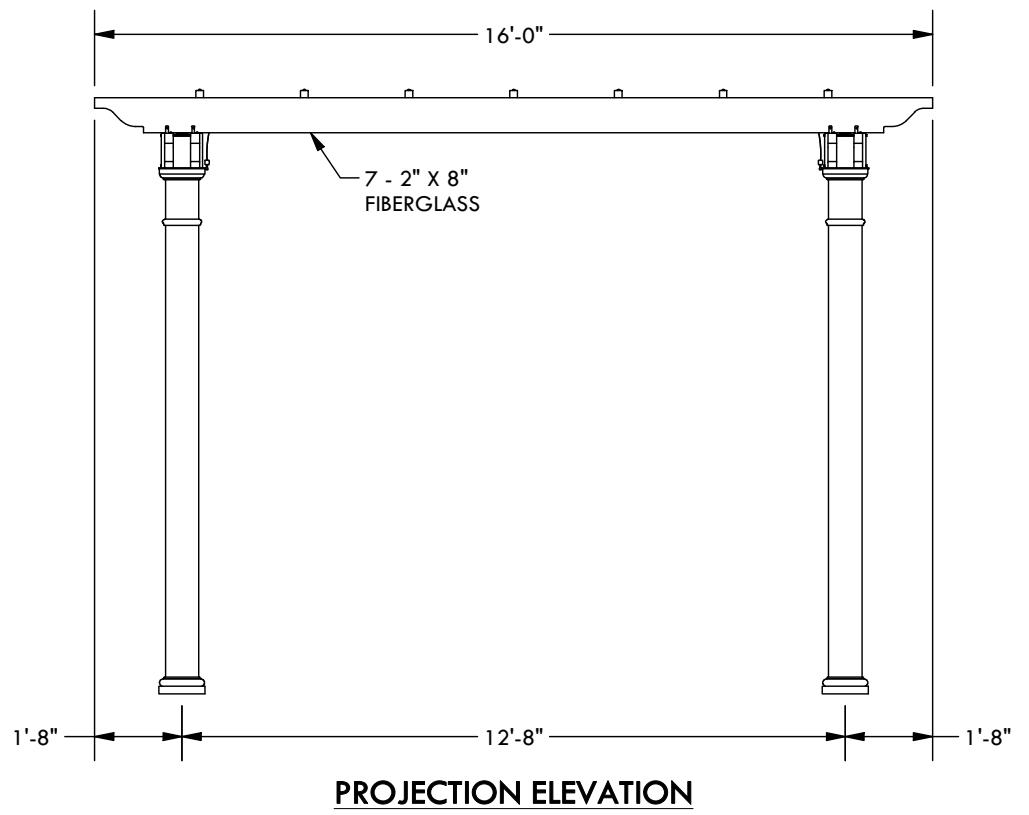
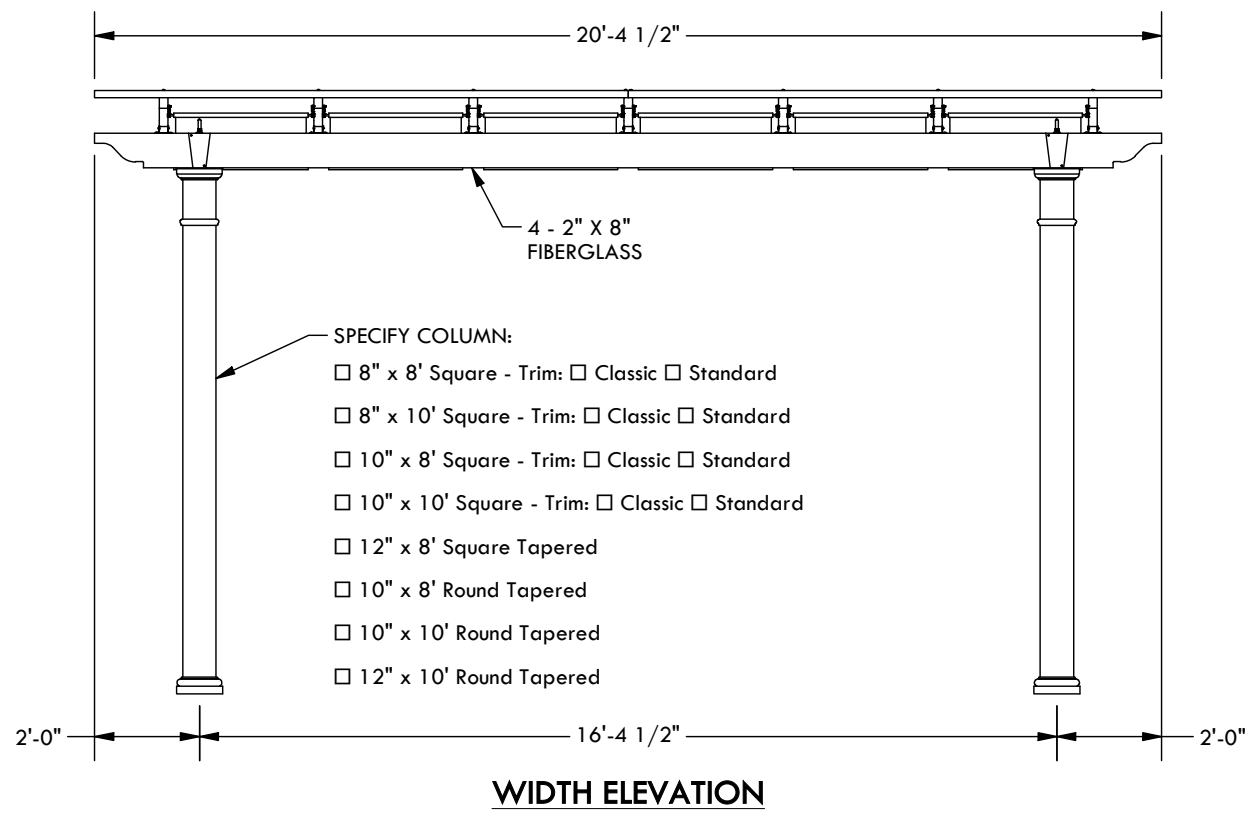
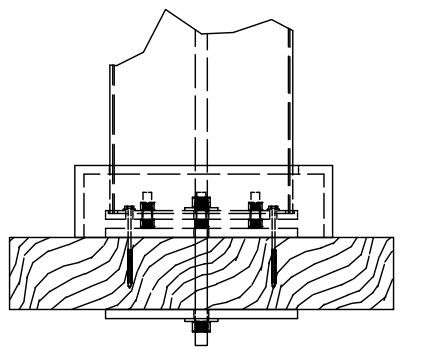
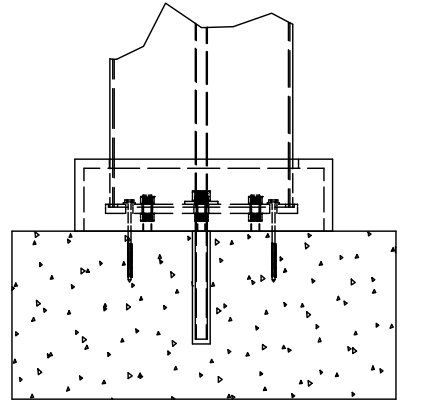
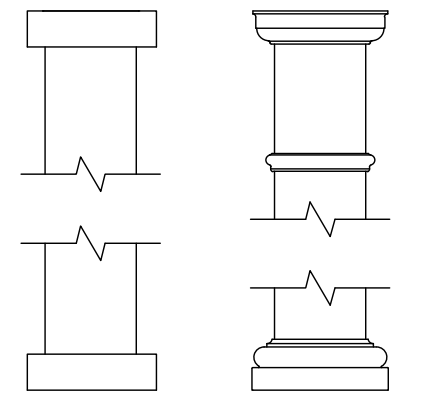


- SPECIFY END STYLE:
- ARCADIA
  - BELMONT
  - CLASSIC
  - CLIP
  - COAST
  - FLAT
  - SLIGHT
  - TRADITIONAL



DESCRIPTION			
<b>20' WIDE X 16' PROJECTION FREESTANDING WINDSOR</b>			
REV	BY	DESCRIPTION	DATE
	CL	INITIAL RELEASE	1/13/2026

**STRUCTUREWORKS**<sup>TM</sup>

www.structureworks.com 877.489.8064

© 2026 Structureworks