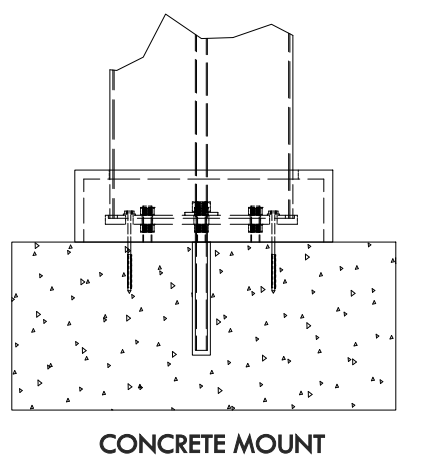
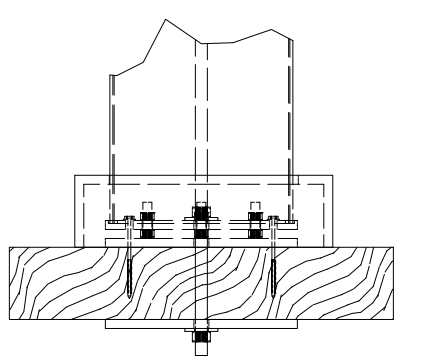


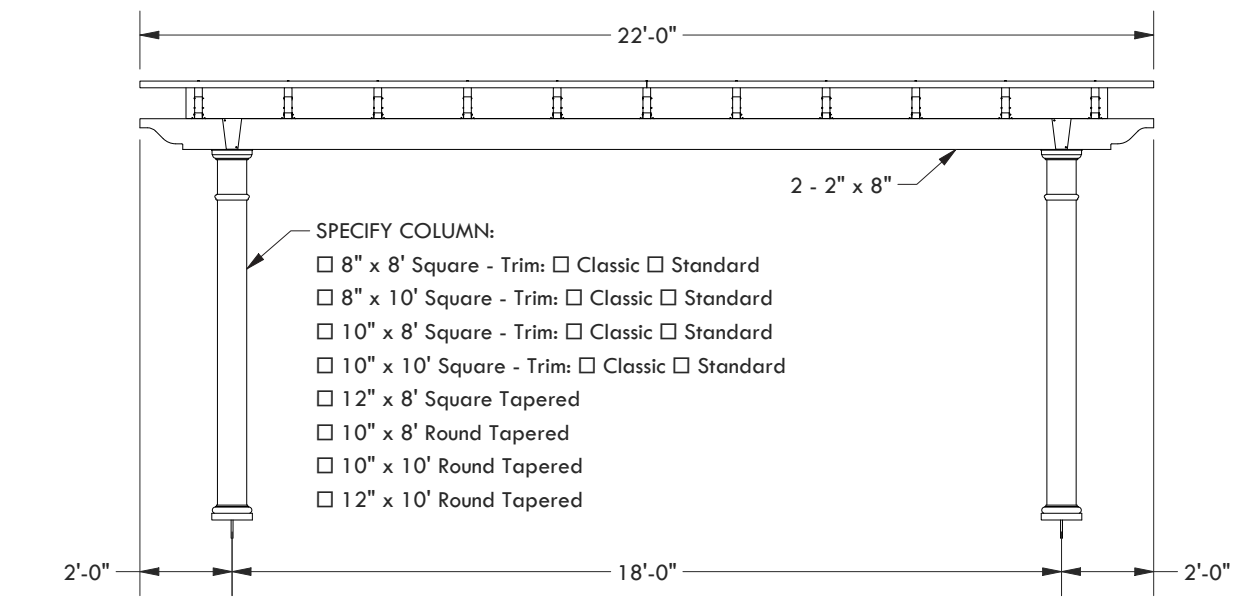
SPECIFY BASE CONNECTION:
 CONCRETE MOUNT
 FRAMING MOUNT



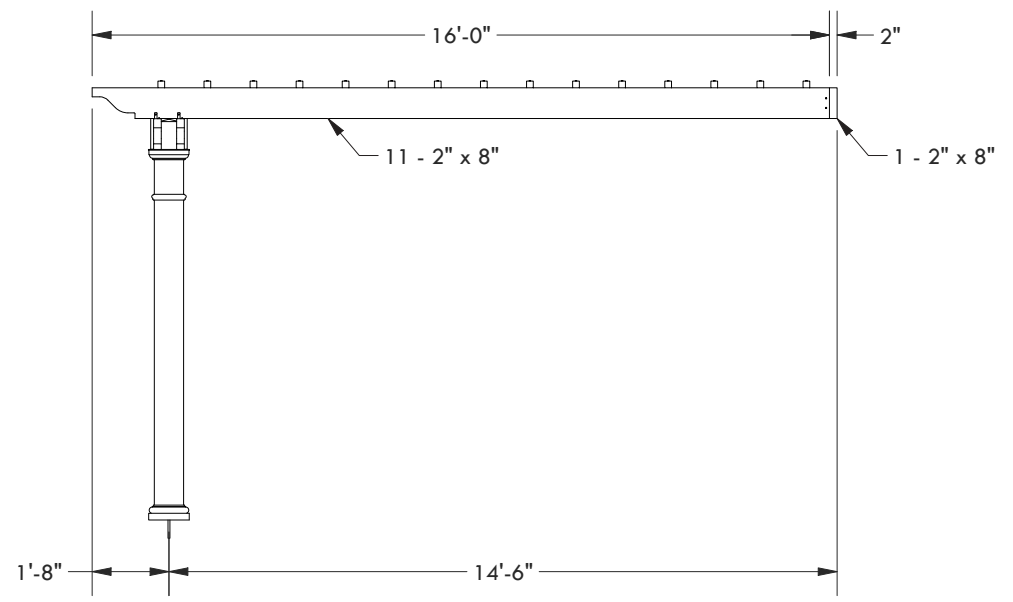
CONCRETE MOUNT



FRAMING MOUNT



- SPECIFY COLUMN:
- 8" x 8" Square - Trim: Classic Standard
 - 8" x 10" Square - Trim: Classic Standard
 - 10" x 8" Square - Trim: Classic Standard
 - 10" x 10" Square - Trim: Classic Standard
 - 12" x 8" Square Tapered
 - 10" x 8" Round Tapered
 - 10" x 10" Round Tapered
 - 12" x 10" Round Tapered



DESCRIPTION			
22' WIDE X 16' PROJECTION ATTACHED WILLIAMSBURG			
REV	BY	DESCRIPTION	DATE
1	NB	INITIAL RELEASE	04/02/21

STRUCTUREWORKSTM
 www.structureworks.com 877.489.8064

© 2021 Structureworks