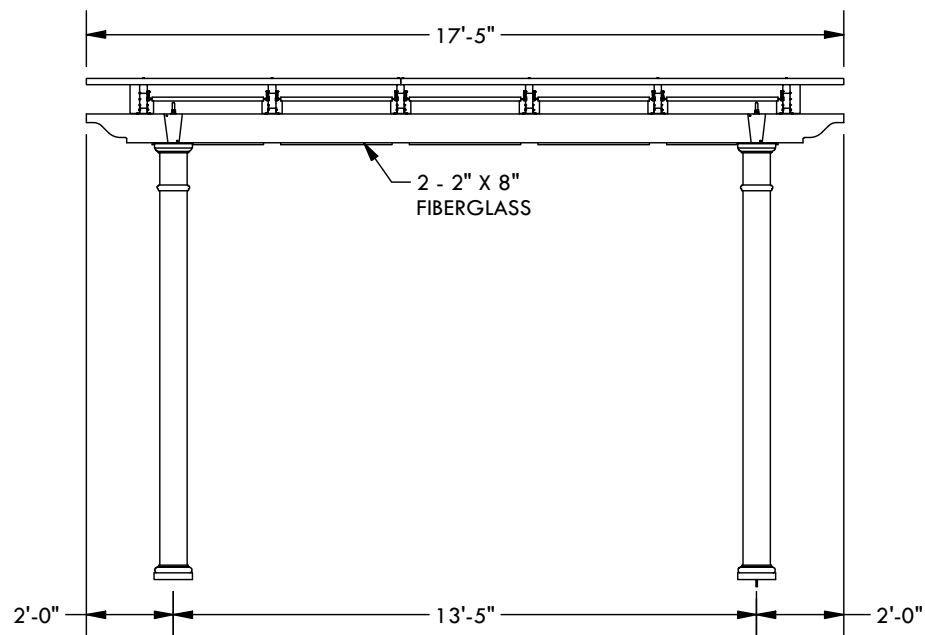
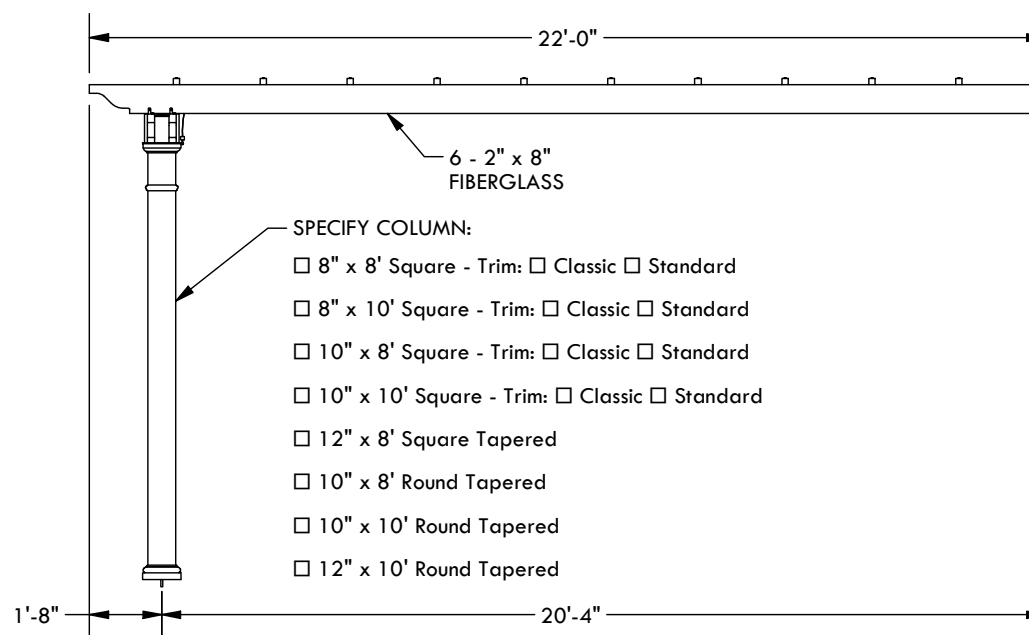


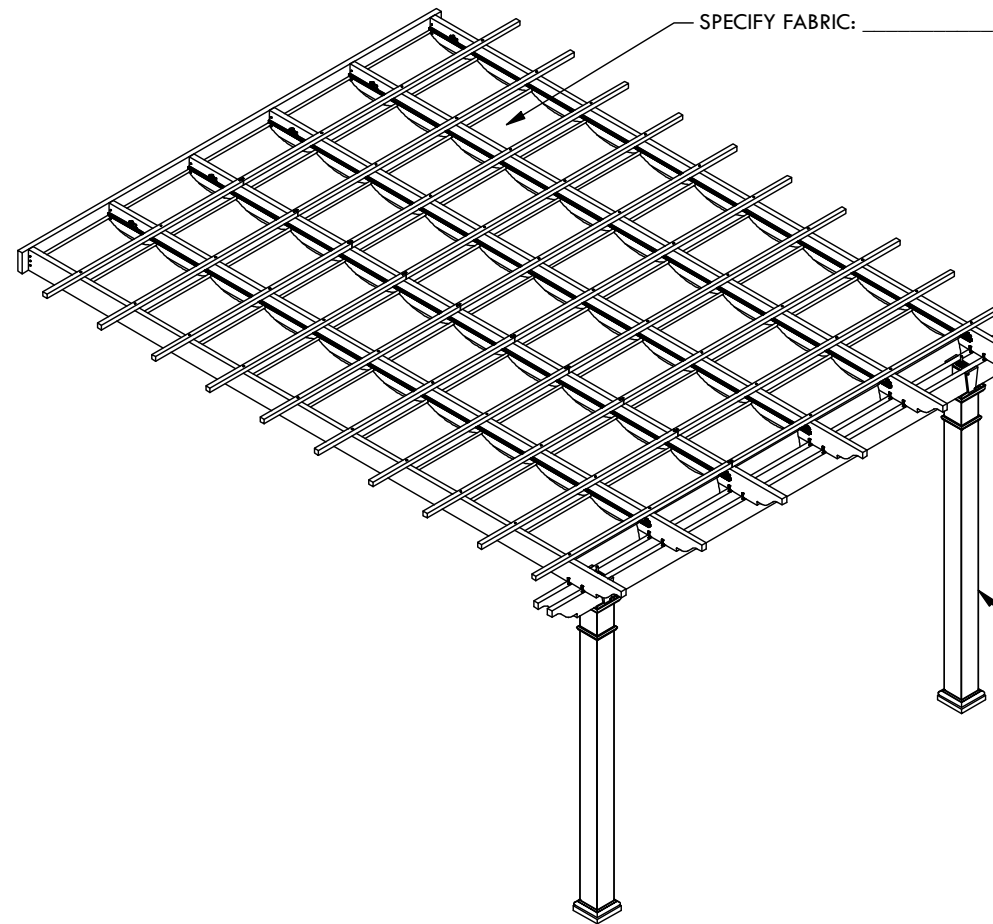
PLAN VIEW



WIDTH ELEVATION



PROJECTION ELEVATION



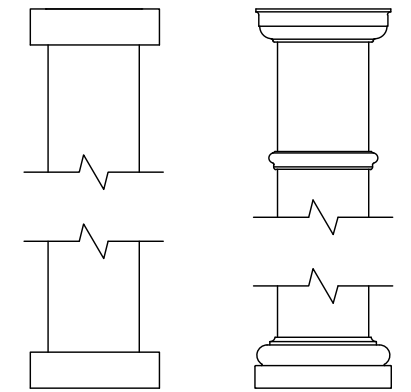
SPECIFY FABRIC:

SPECIFY END STYLE:

- ARCADIA
- BELMONT
- CLASSIC
- CLIP
- COAST
- FLAT
- SLIGHT
- TRADITIONAL

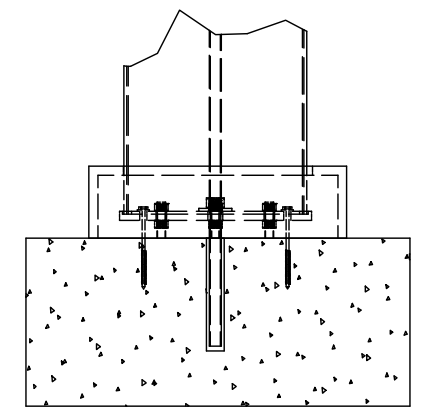
SPECIFY FINISH:

- CLASSIC WHITE
- DRIFT
- FOREST BROWN
- WALNUT
- GRANITE
- GRAPHITE
- MEDITERRANEAN
- MIST
- WALNUT

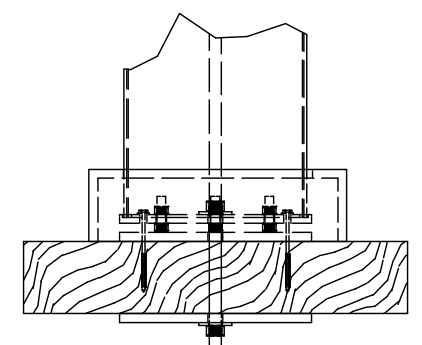


CLASSIC TRIM

STANDARD TRIM



CONCRETE MOUNT



FRAMING MOUNT

DESCRIPTION			
17' WIDE X 22' PROJECTION ATTACHED WINDSOR			
REV	BY	DESCRIPTION	DATE
	CL	INITIAL RELEASE	1/13/2026

© 2026 Structureworks

STRUCTUREWORKSTM

www.structureworks.com 877.489.8064