

Artisan-BSH/BSP Installation Guide

Read this guide and review shop drawings and notes before beginning installation.

All packages should be opened and inspected for hidden damage upon receipt. Any missing or damaged components should be noted on the delivery receipt with the carrier before accepting the shipment. All items should be repackaged and stored where protected from moisture, dirt, and excessive heat. Do not wrap material so that heat or moisture can become trapped. Ensure that items are level, fully supported, and have airflow between parts. Damage from improper storage is not considered shipping damage and is not covered by product warranties. Handle materials so as to protect materials, coatings, fabric and finishes during transportation and installation to prevent damage or staining.

It is the responsibility of the installer to meet or exceed all code and safety requirements, and to obtain all required building permits. These instructions are only a guide, and may not address every circumstance. The installer should determine and implement appropriate installation techniques for each situation. Structureworks shall not be held liable for improper or unsafe installations.

Recommended Tools & Required Materials

The tools required will vary depending on the awning configuration and the installation surface. Additional materials such as attachment hardware, flashing, and silicone caulk may be needed.

All installations:

- Pencil
- 4' Level
- Torpedo Level
- Ladder
- Tape Measure
- Drill

- Impact Driver w/ Bits
- Socket Wrench w/ Extension & ½" Socket
- Caulk Gun

Wood mount:

- 13/64" Drill Bit for Wood
- 1/4" Lag Bolts

Masonry mount:

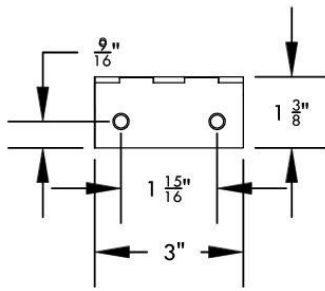
- 3/16" Drill Bit for Masonry
- 1/4" Masonry Anchors

Cleaning and Maintenance

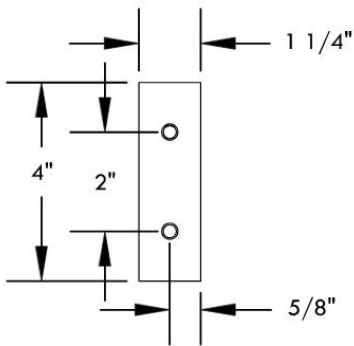
Use a combination of Simple Green All-Purpose Cleaner and hot water with a soft bristle brush. Clean after installation and on an annual basis. For more difficult to clean marks, a Mr. Clean Magic Eraser can be used. Structural attachments should be inspected annually.

Layout

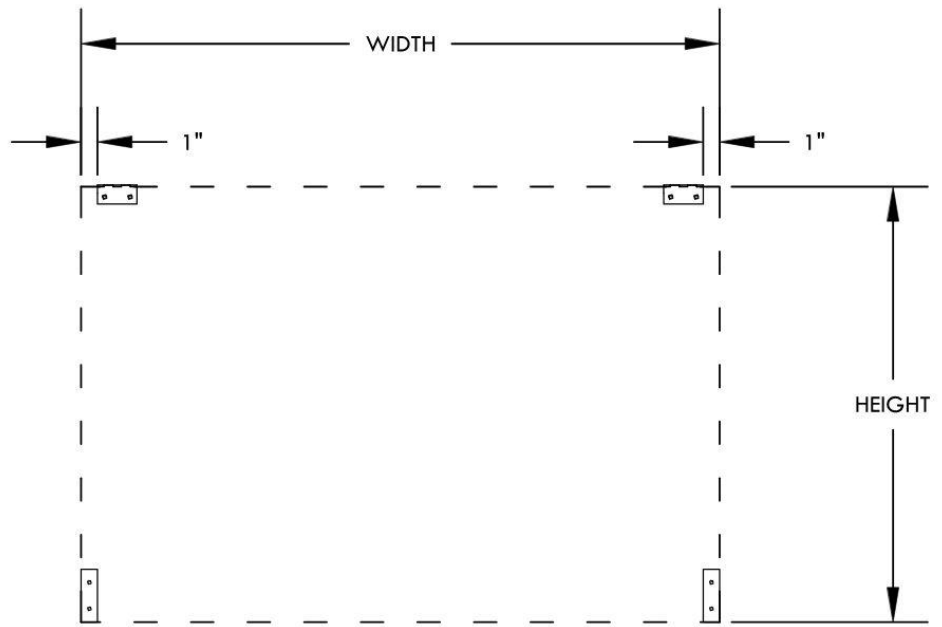
Using the layout below and shop drawings, locate the hinge and fixed arm mounting plate locations on the wall. Mark the center locations for each hole.



Hinge



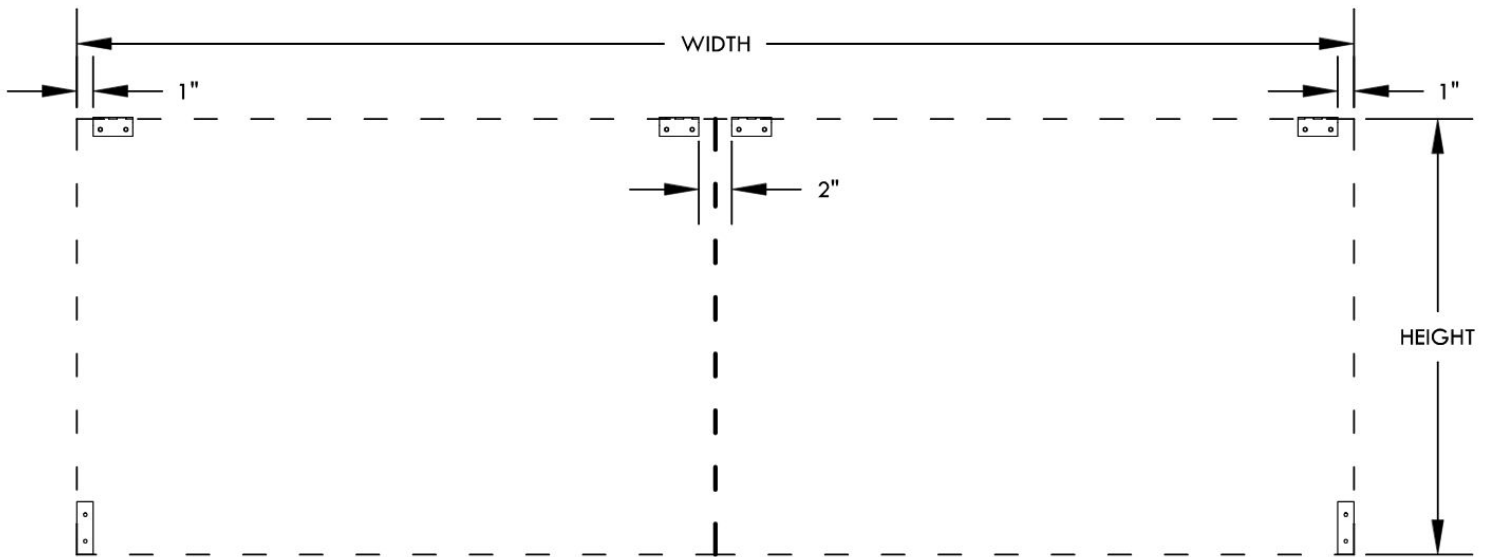
Fixed Arm Mounting Plate



Single Awning

Mulled Awning

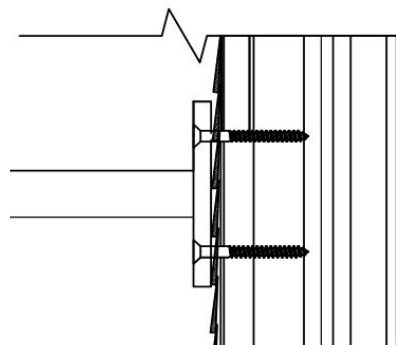
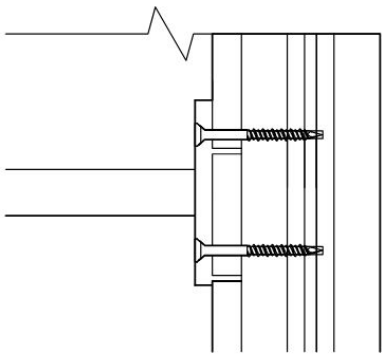
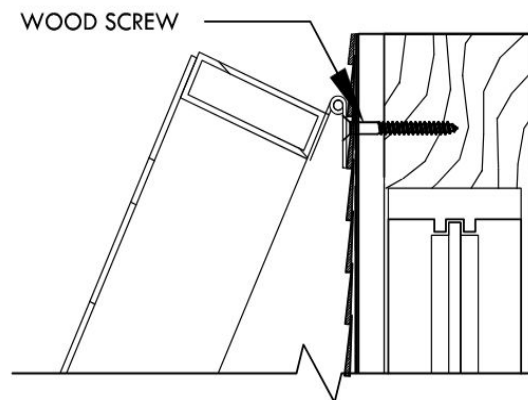
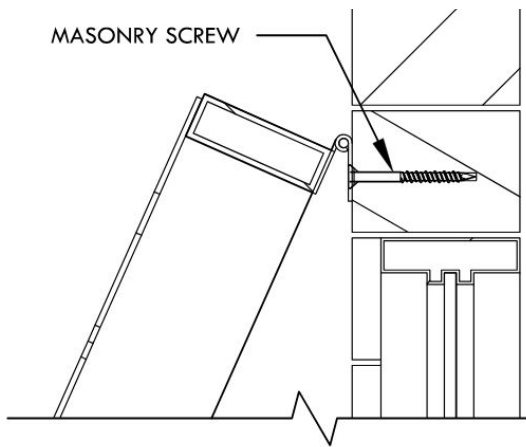
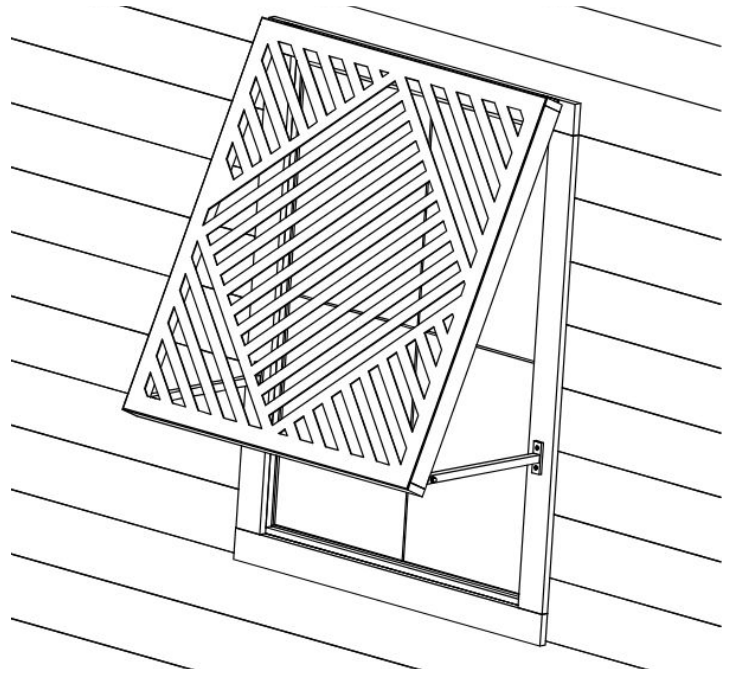
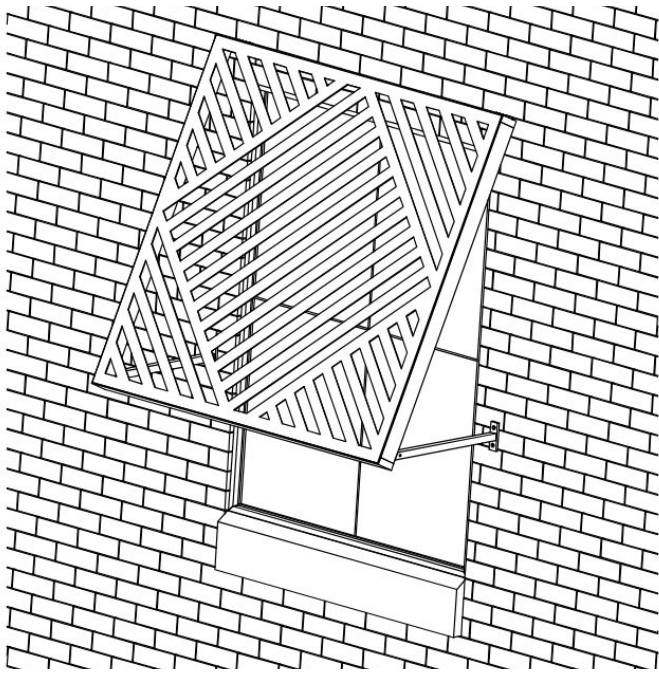
Mulled awnings combine multiple awnings to create a larger awning.



Mulled Awning - Two or More Joined Awnings

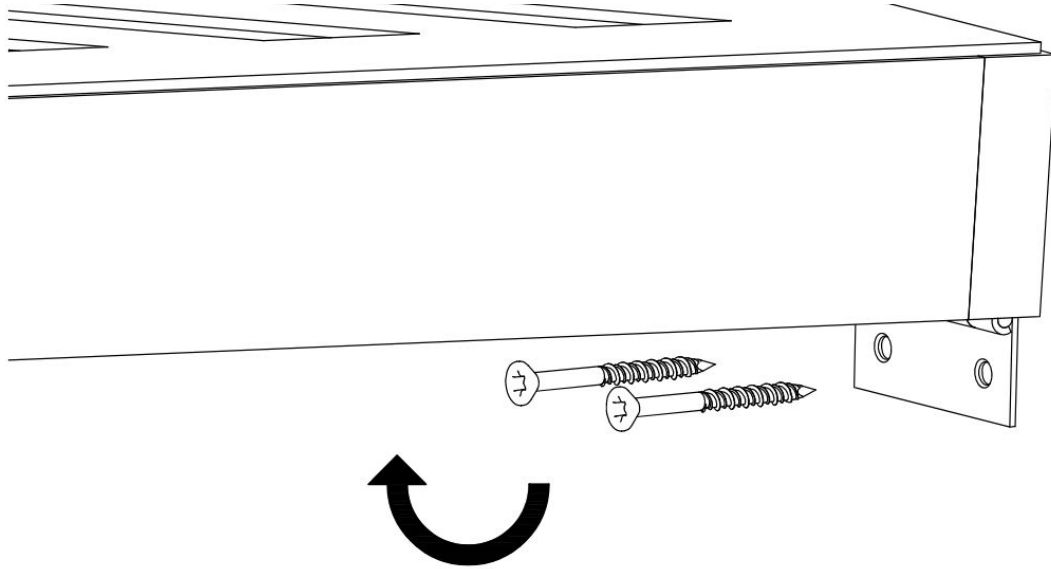
Drill for Mounting Hardware

Drill $3/16''$ holes for the installation of masonry screws or $13/64''$ holes for lag screws at the locations marked in the previous step.



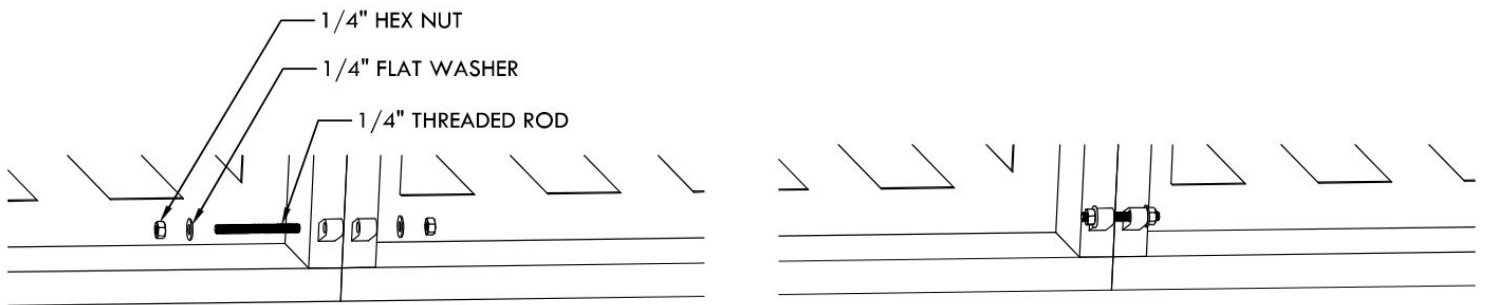
Install Frame

While holding the awning out from the building, install the frame with screws through the hinges. For mulled awnings, install each unit to the wall through the hinges, ensuring they align and are tight to each other.



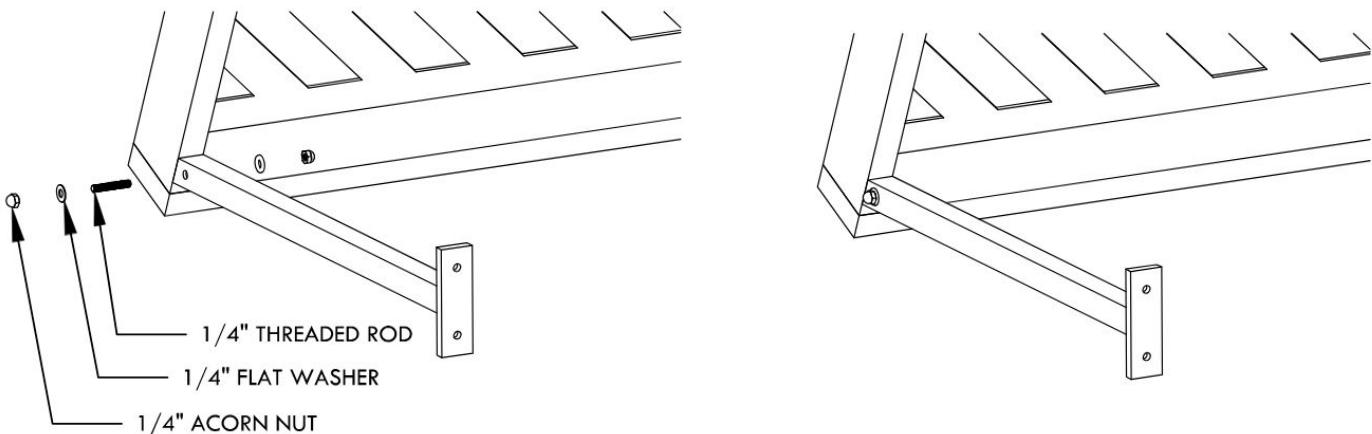
Connect Mulled Awnings

Join awnings together by inserting the threaded rod through the mounting tabs and securing with washers and hex nuts.



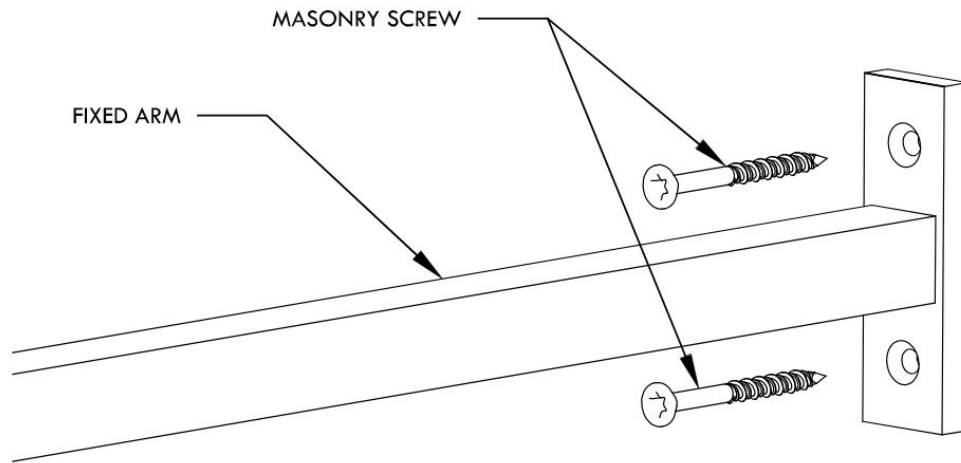
Install Fixed Arms

Insert a fixed arm over the mounting tab on the back of the frame. Secure with a threaded rod, washers, and acorn nuts. Repeat on the other side of the frame.



Attach Fixed Arm

Ensure the fixed arms are level, then secure to the mounting surface using the correct screws for the mounting surface.



Paint Touch-Up

Awnings may require touch up over time and at completion of construction. Use extreme care when handling components to avoid scuffs and scratches. Touch up paint is provided. In the event of scratching or chipping, touch up the painted surface with the included brush. Apply light coats in order to allow the paint to flow and dry with a smooth finish.