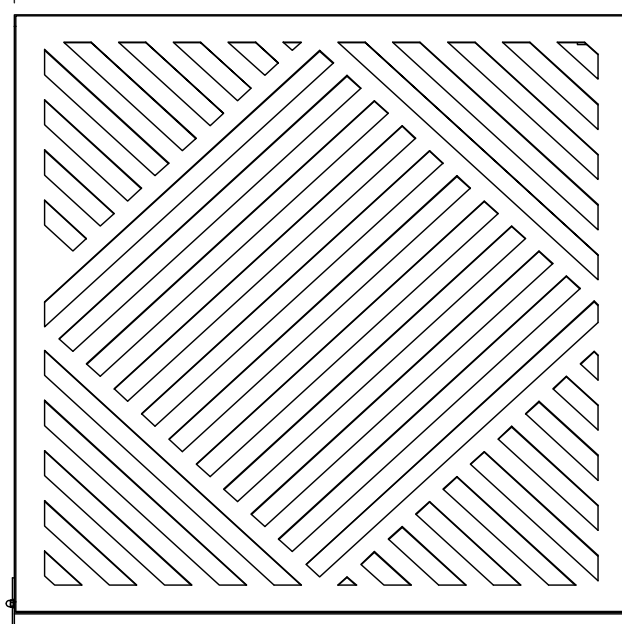
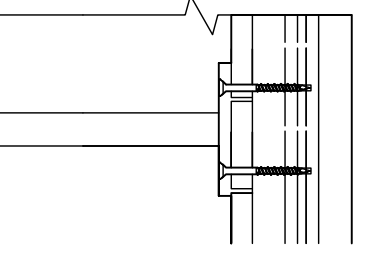
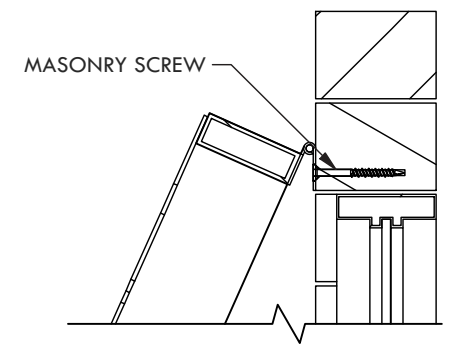
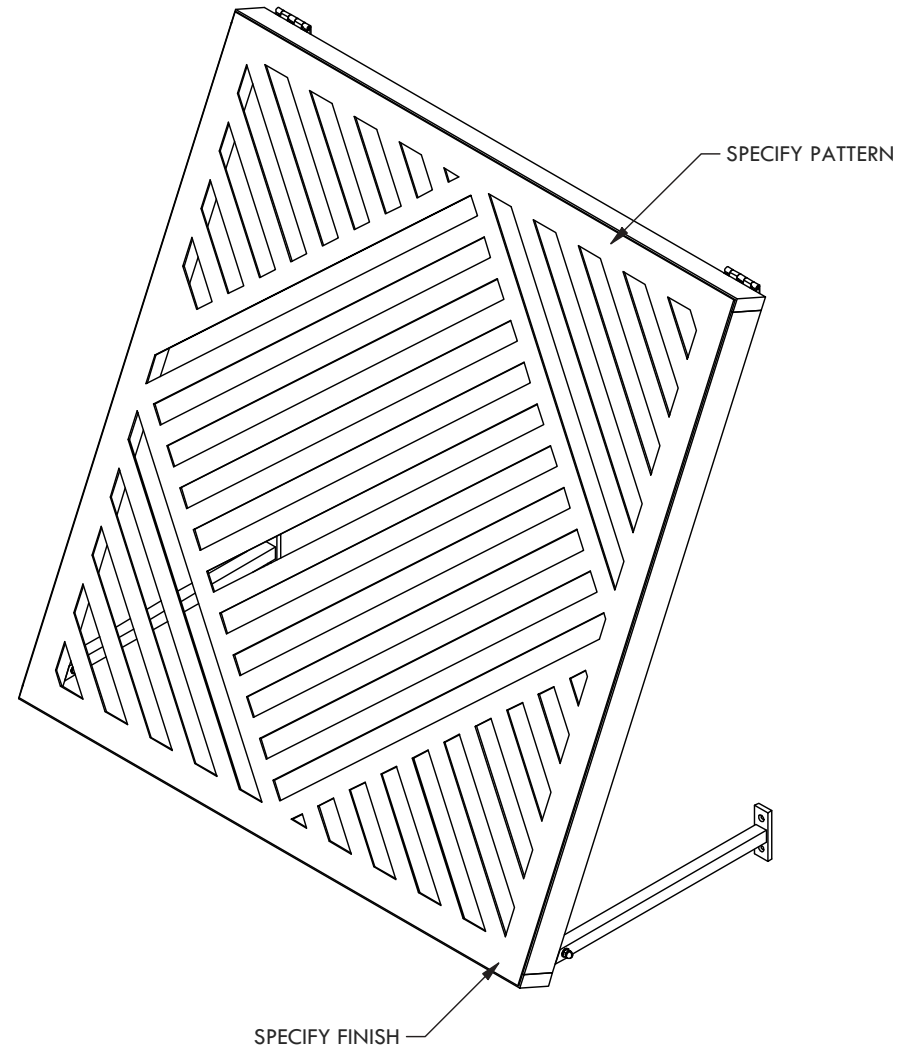


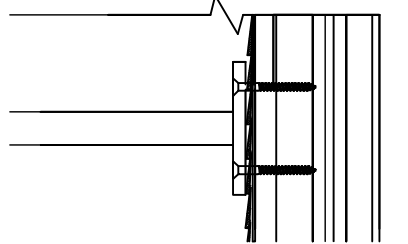
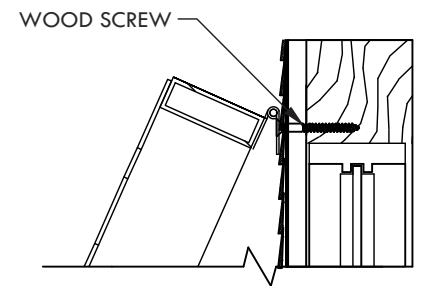
- 2'-0" WIDTH
- 2'-6" WIDTH
- 3'-0" WIDTH
- 3'-6" WIDTH
- 4'-0" WIDTH



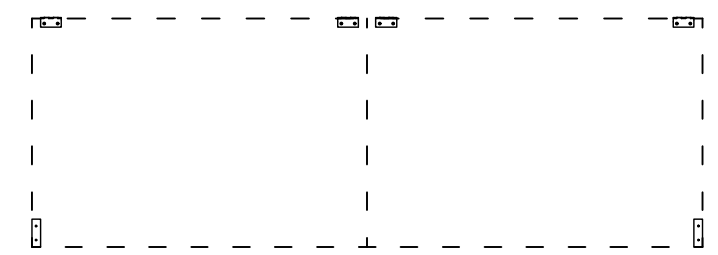
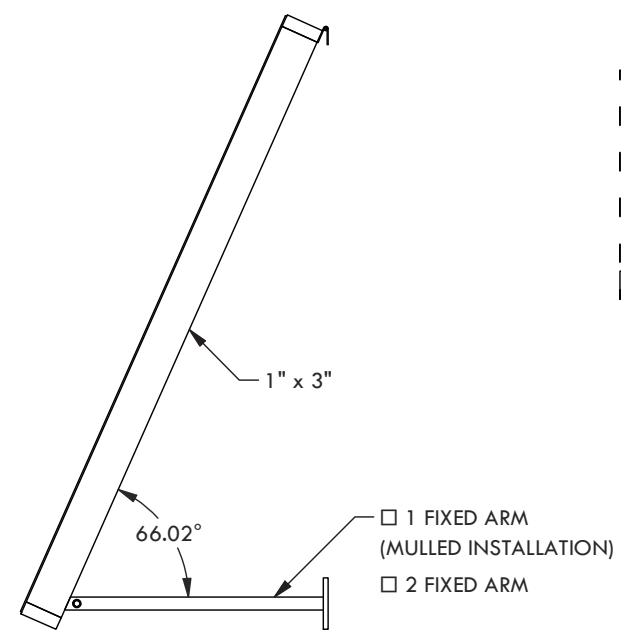
- 2'-0" HEIGHT
- 3'-0" HEIGHT
- 4'-0" HEIGHT
- 5'-0" HEIGHT
- 6'-0" HEIGHT



**WALL CONNECTION MASONRY**



**WALL CONNECTION WOOD FRAMING**



**MULLED INSTALLATION**  
 MULTIPLE UNITS CAN BE MULLED TOGETHER  
 WHEN A TOTAL WIDTH OF MORE THAN 4' IS NEEDED

DESCRIPTION			
<b>ARTISAN-BSP</b>			
REV	BY	DESCRIPTION	DATE
	SP	INITIAL RELEASE	4/23/2024
<b>STRUCTUREWORKS™</b>			
www.structureworks.com 877.489.8064			

© 2024 Structureworks