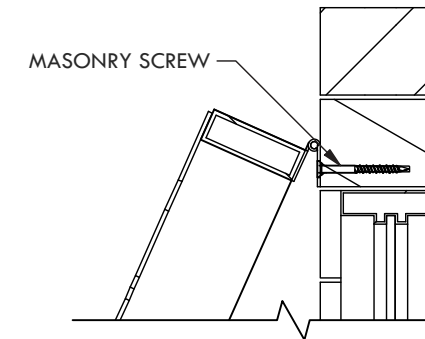
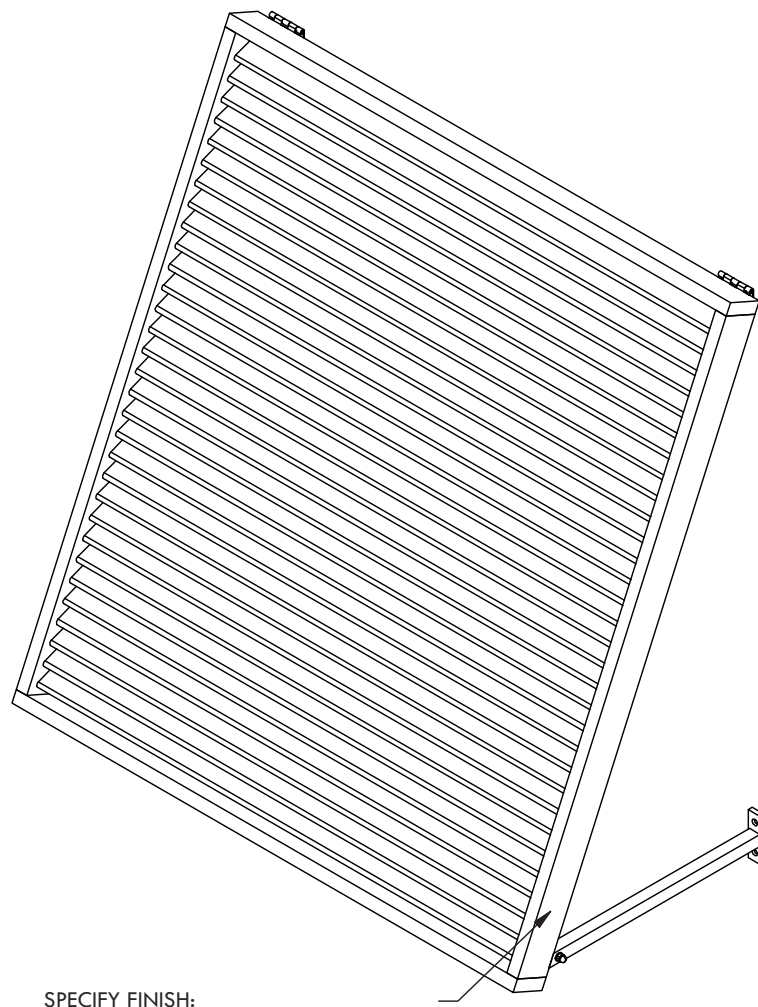
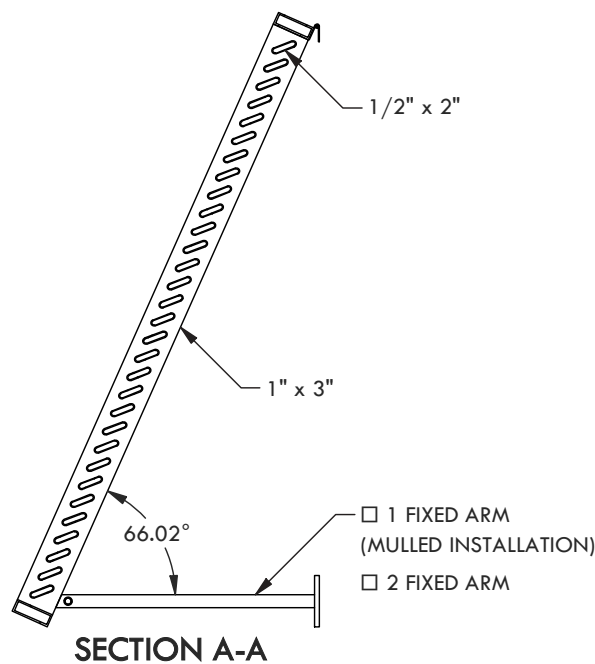
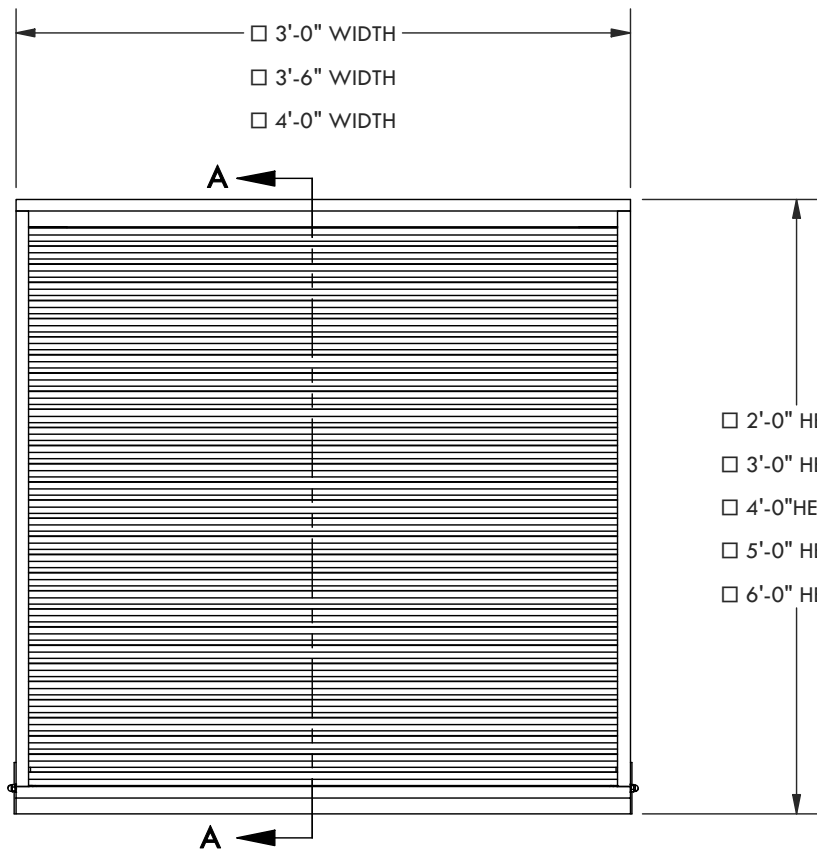
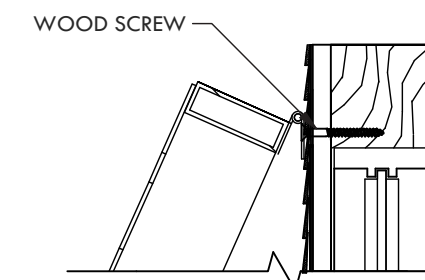


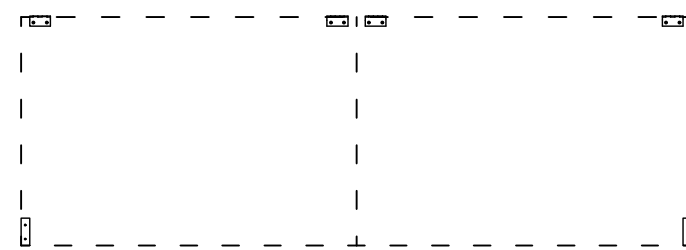
- 2'-0" WIDTH
- 2'-6" WIDTH
- 3'-0" WIDTH
- 3'-6" WIDTH
- 4'-0" WIDTH



WALL CONNECTION MASONRY



WALL CONNECTION WOOD FRAMING



MULLED INSTALLATION
 MULTIPLE UNITS CAN BE MULLED TOGETHER
 WHEN A TOTAL WIDTH OF MORE THAN 4' IS NEEDED

DESCRIPTION			
ARTISAN-BSH			
REV	BY	DESCRIPTION	DATE
	SP	INITIAL RELEASE	4/23/2024

© 2024 Structureworks

STRUCTUREWORKSTM

www.structureworks.com 877.489.8064