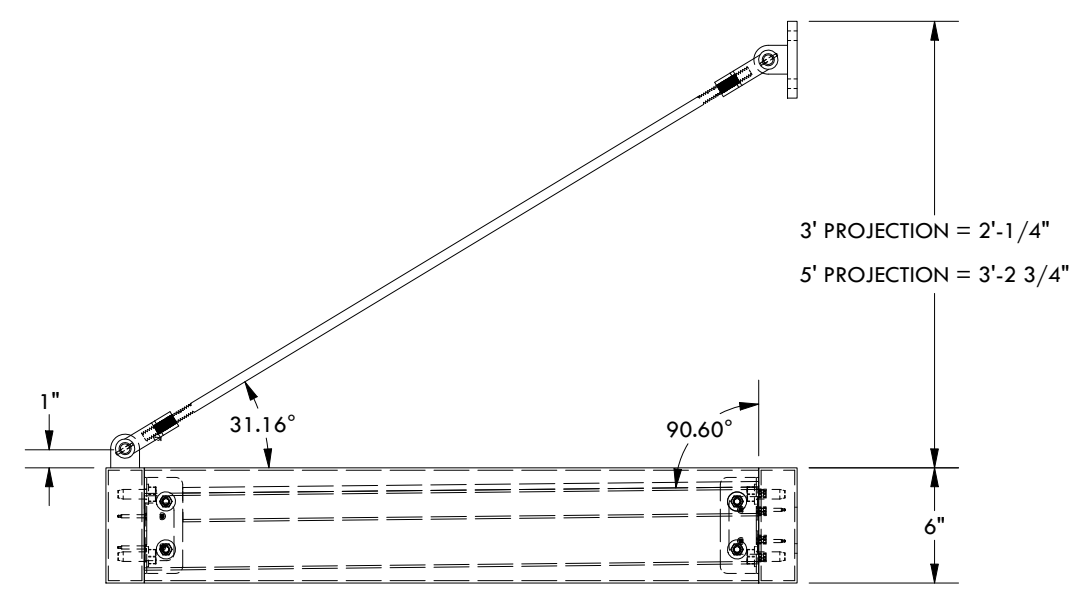
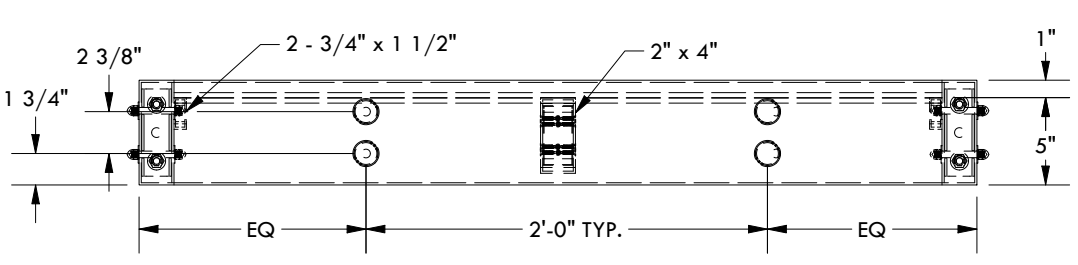


LED QUANTITY / FRAME SIDE

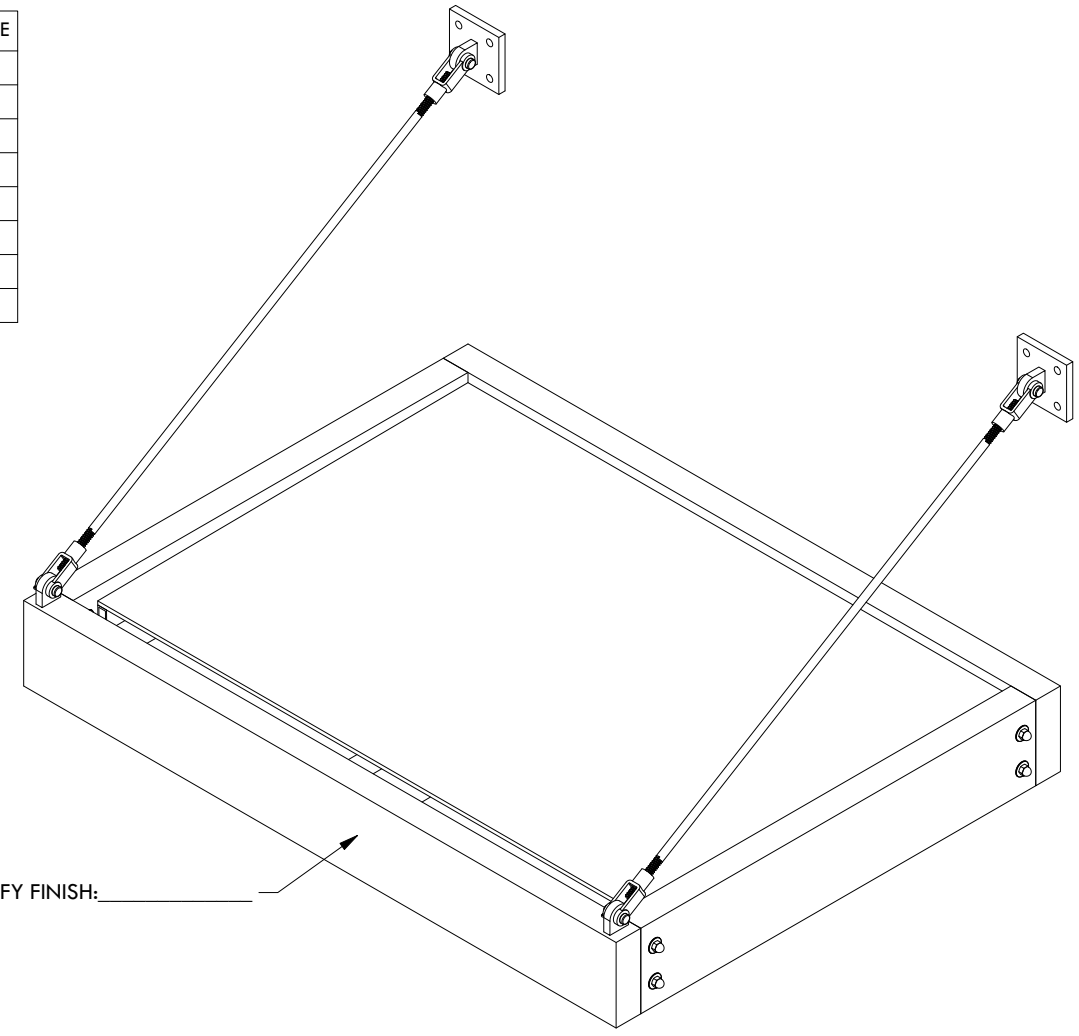
PROJECTION	QTY
3'-0"	2
5'-0"	3
WIDTH	QTY
4'-0"	2
6'-0"	3
8'-0"	3
10'-0"	4



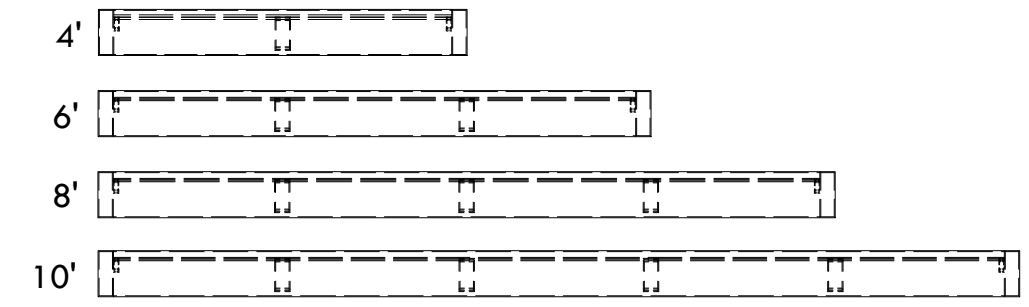
SECTION A-A



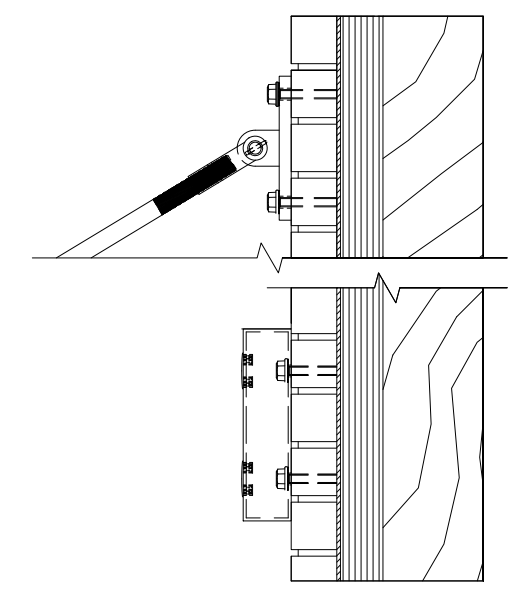
SECTION B-B



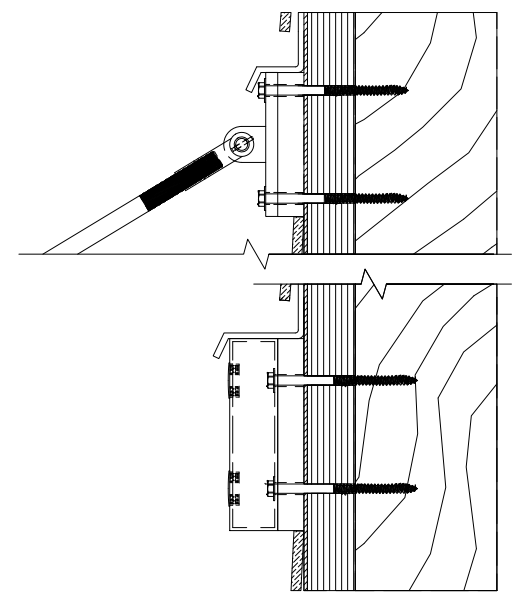
SPECIFY FINISH:



WIDTH REFERENCE



WALL CONNECTION MASONRY



WALL CONNECTION WOOD FRAMING

DESCRIPTION			
ARTISAN-TL			
REV	BY	DESCRIPTION	DATE
	SP	INITIAL RELEASE	03/25/24
STRUCTUREWORKS TM			
www.structureworks.com 877.489.8064			

© 2024 Structureworks