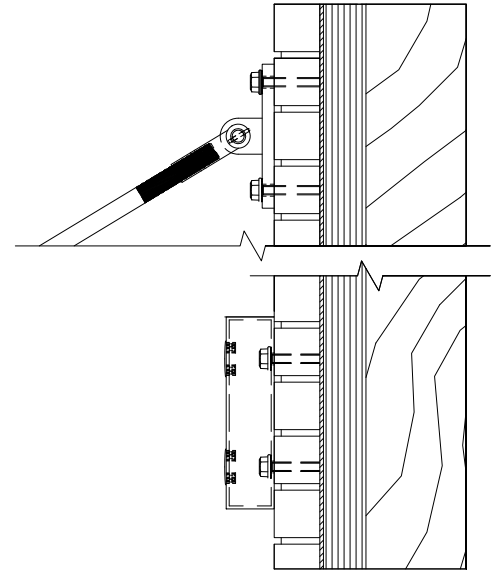
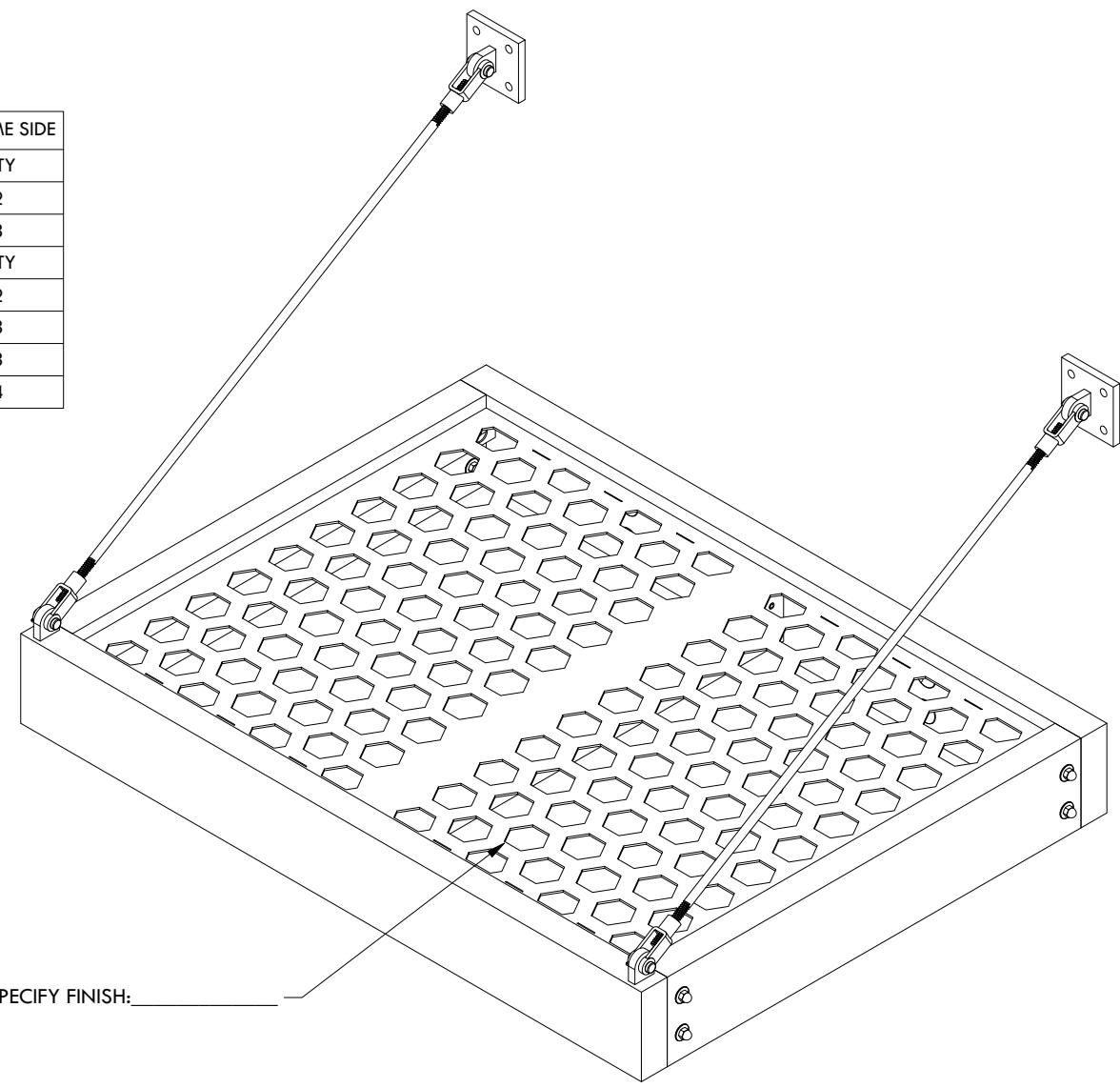
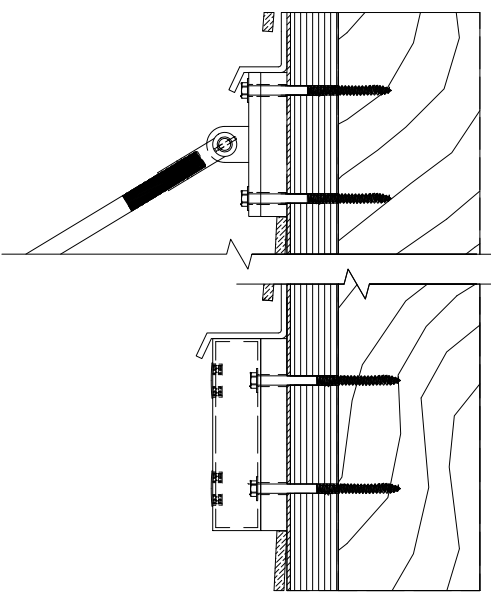


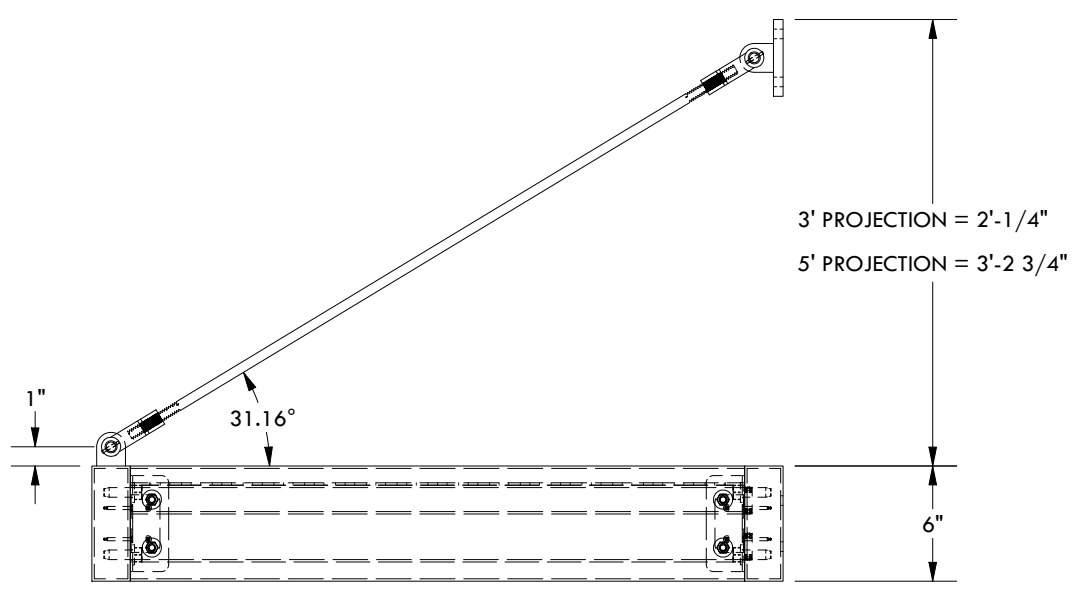
LED QUANTITY / FRAME SIDE	
PROJECTION	QTY
3'-0"	2
5'-0"	3
WIDTH	QTY
4'-0"	2
6'-0"	3
8'-0"	3
10'-0"	4



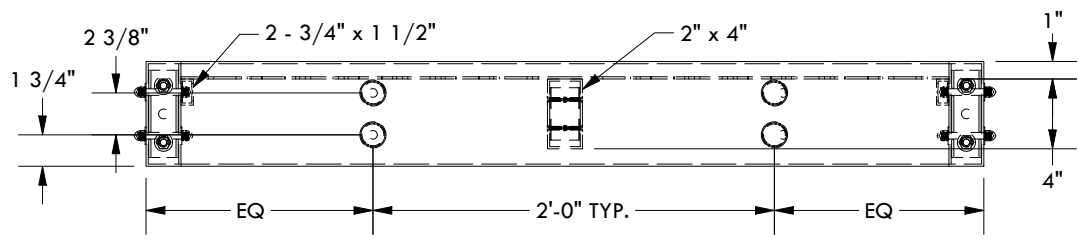
WALL CONNECTION
MASONRY



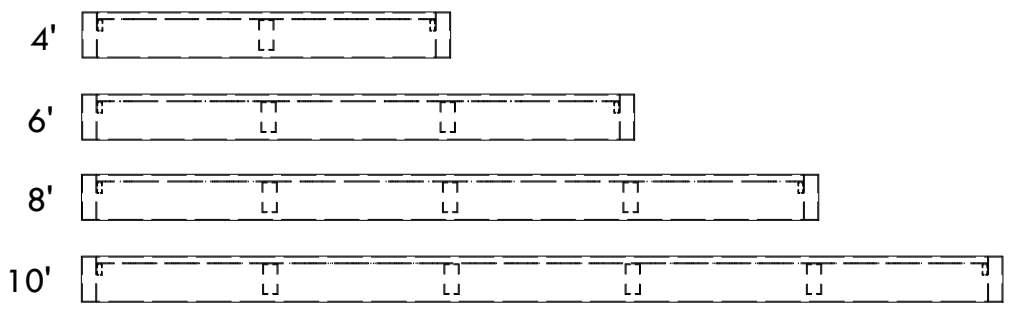
WALL CONNECTION
WOOD FRAMING



SECTION A-A



SECTION B-B



WIDTH REFERENCE

DESCRIPTION			
ARTISAN-PS			
REV	BY	DESCRIPTION	DATE
	SP	INITIAL RELEASE	03/25/24
STRUCTUREWORKS TM			
www.structureworks.com 877.489.8064			

© 2024 Structureworks