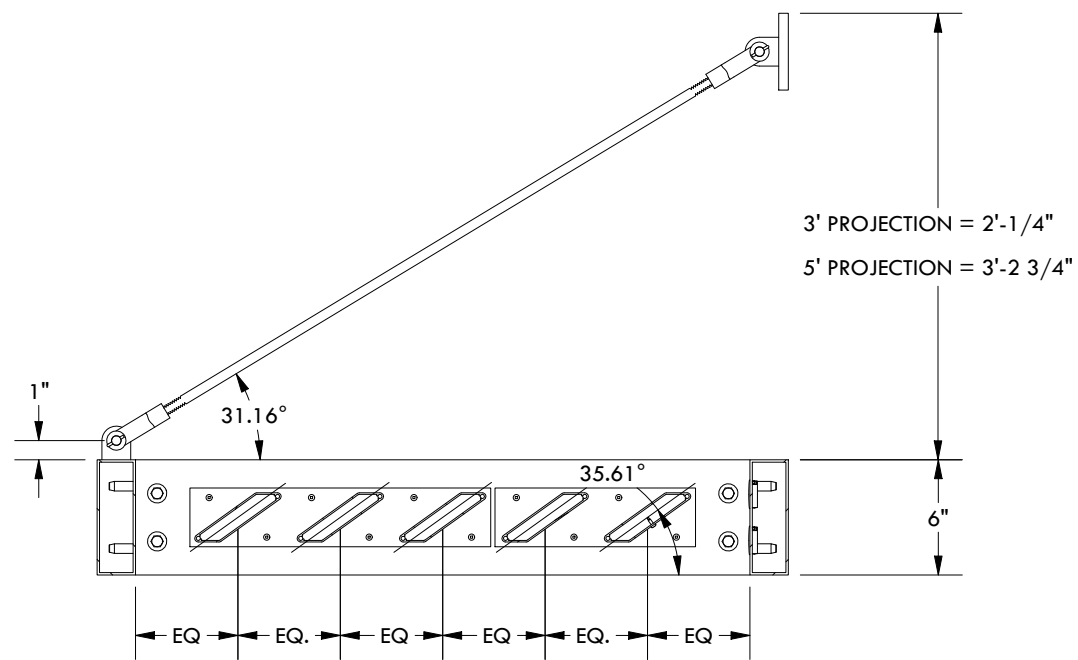
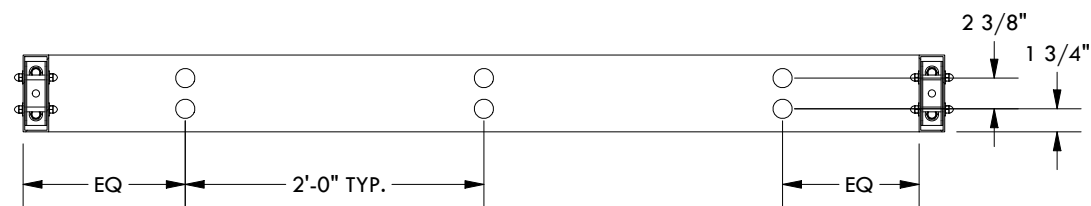


LED LIGHTING

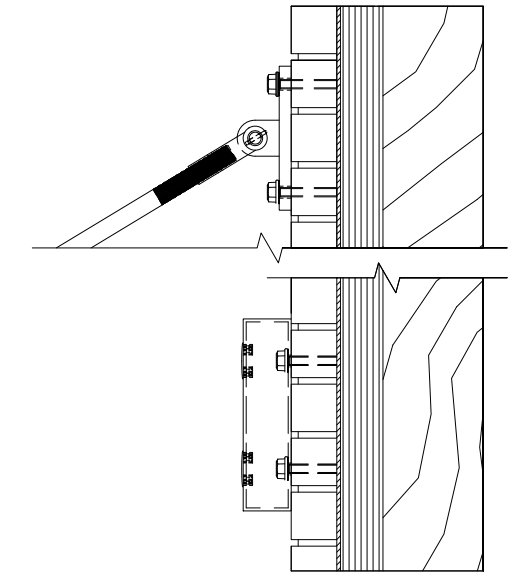
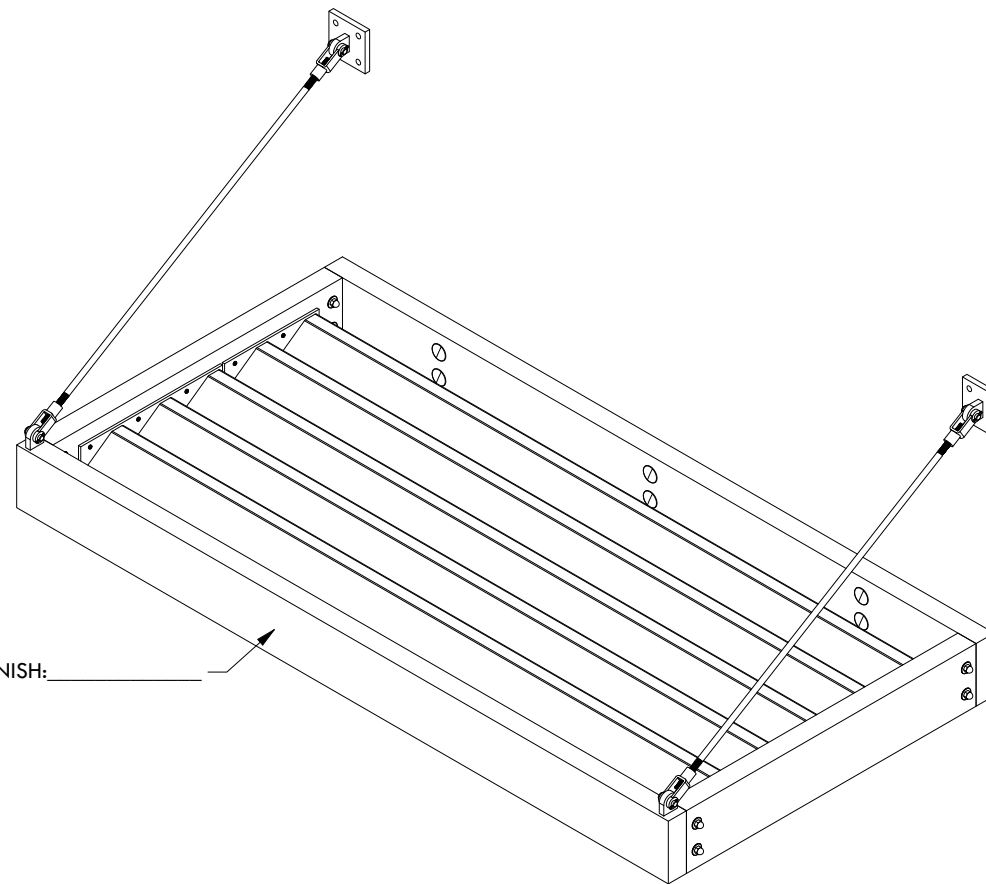
LED QUANTITY / FRAME SIDE	
PROJECTION	QTY
3'-0"	2
5'-0"	3
WIDTH	QTY
4'-0"	2
6'-0"	3
8'-0"	3
10'-0"	4



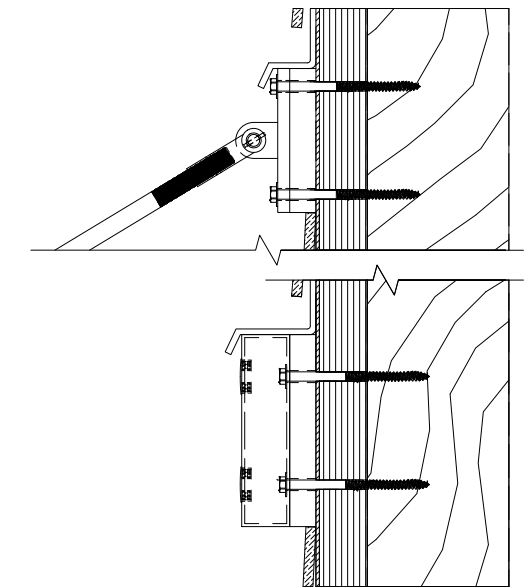
SECTION A-A



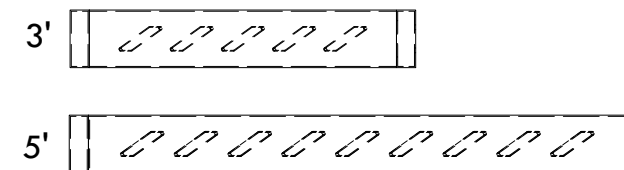
SECTION B-B



WALL CONNECTION
MASONRY



WALL CONNECTION
WOOD FRAMING



PROJECTION REFERENCE

DESCRIPTION			
ARTISAN-LS			
REV	BY	DESCRIPTION	DATE
	SP	INITIAL RELEASE	03/25/24

© 2024 Structureworks

STRUCTUREWORKS™

www.structureworks.com 877.489.8064