

Umbra AC Series Installation Guide

Read this guide and review shop drawings and notes before beginning installation.

All packages should be opened and inspected for hidden damage upon receipt. Any missing or damaged components should be noted on the delivery receipt with the carrier before accepting the shipment. All items should be repackaged and stored where protected from moisture, dirt, and excessive heat. Do not wrap material so that heat or moisture can become trapped. Ensure that items are level, fully supported, and have airflow between parts. Damage from improper storage is not considered shipping damage and is not covered by product warranties. Handle materials so as to protect materials, coatings, fabric and finishes during transportation and installation to prevent damage or staining.

It is the responsibility of the installer to meet or exceed all code and safety requirements, and to obtain all required building permits. These instructions are only a guide, and may not address every circumstance. The installer should determine and implement appropriate installation techniques for each situation. Structureworks shall not be held liable for improper or unsafe installations.

Recommended Tools

The tools required for installation will vary depending on awning configuration and the hardware used. Review shop drawings to confirm drill bit sizes, socket sizes, and other project specific tools.

- Pencil
- 4' Level
- Ladder (2)
- Drill/Impact Driver
- Caulk Gun
- Compressed Air
- Hole-Cleaning Brush
- Socket Wrench w/ Sockets
- Tape Measure

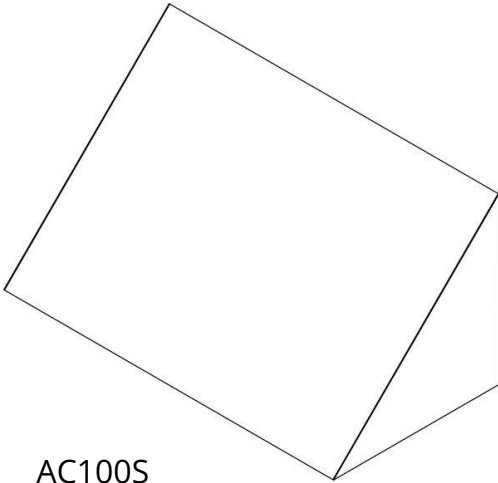
Required Materials

Depending on the configuration of the awning, additional materials such as attachment hardware, silicone caulk, flashing, and anchoring epoxy may be needed. Review shop drawings for project specific requirements.

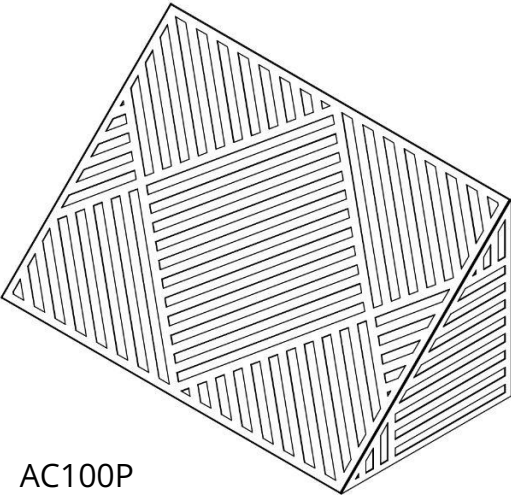
Cleaning and Maintenance

Use a combination of Simple Green All-Purpose Cleaner and hot water with a soft bristle brush. Clean after installation and on an annual basis. For more difficult to clean marks, a Mr. Clean Magic Eraser can be used. Structural attachments should be inspected annually.

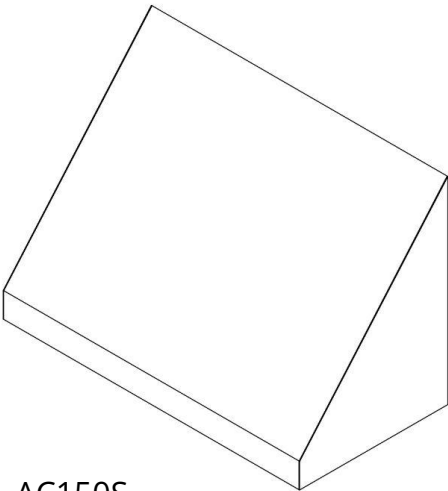
Awning Models



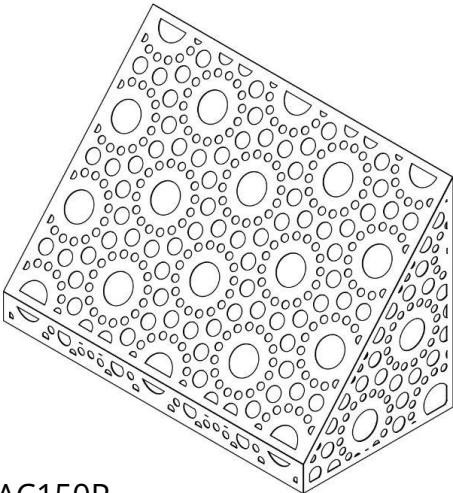
AC100S



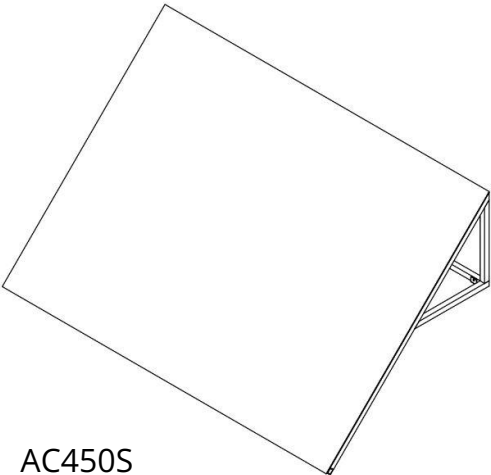
AC100P



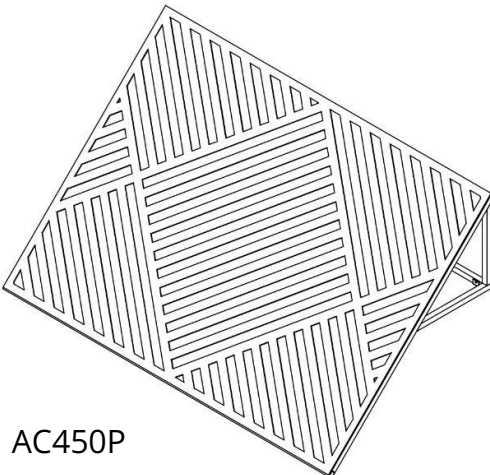
AC150S



AC150P



AC450S



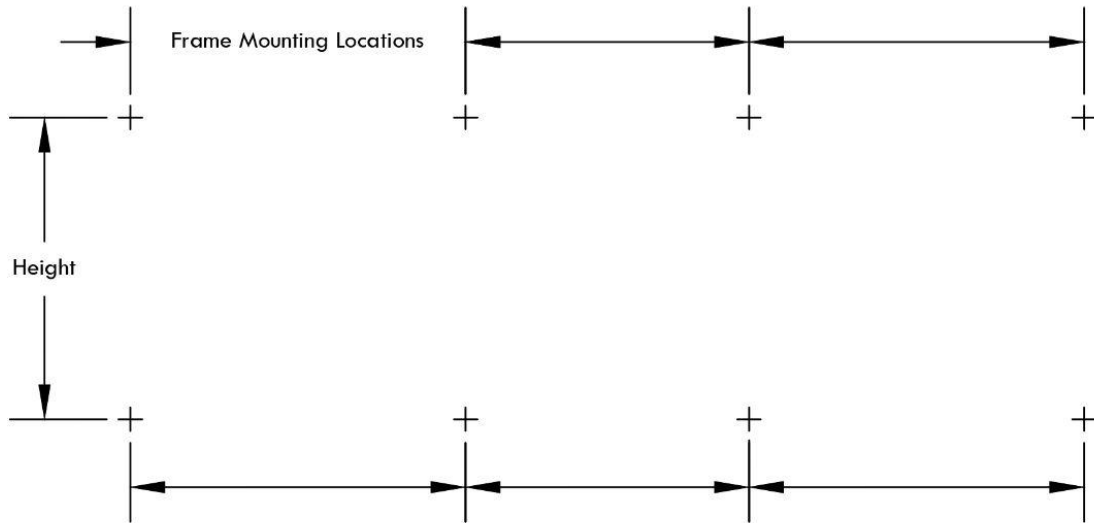
AC450P

Installation Sequence

This installation guide provides a step by step sequence for the installation of the awning. All awnings are made to order and are provided with shop drawings. Shop drawings may contain additional information, details, or job specific instructions. Shop drawings take precedence over this installation guide.

Layout

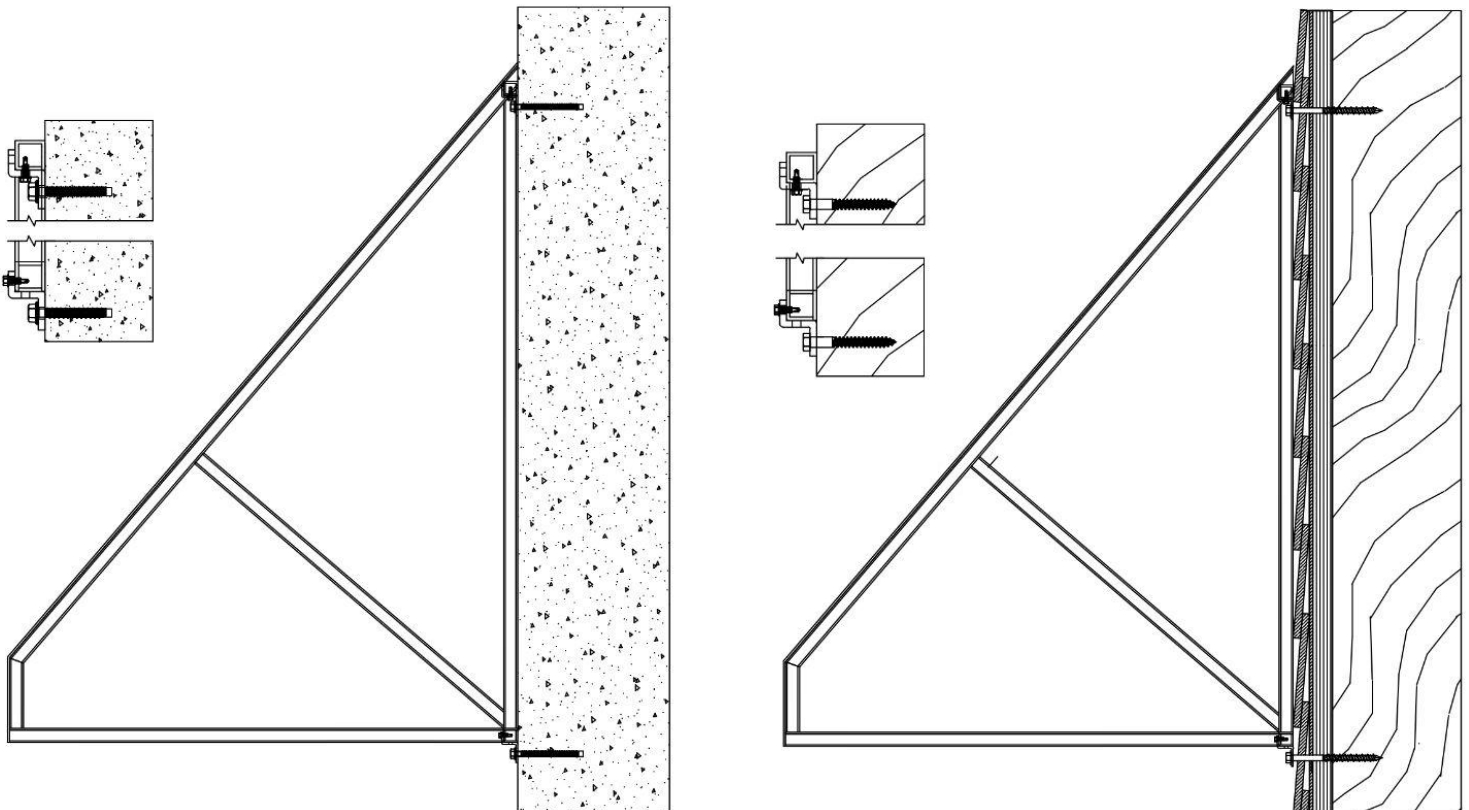
Layout all mounting locations according to the shop drawings.



Attachment

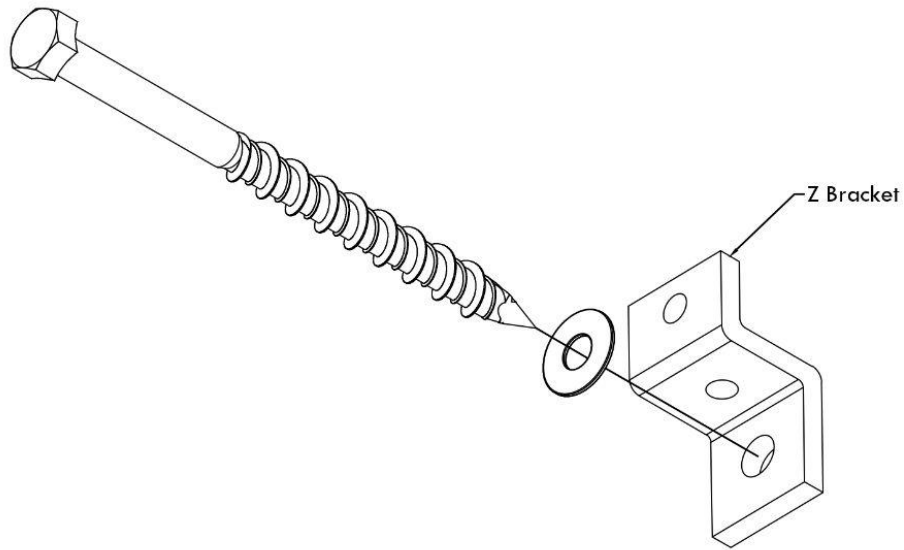
Ensure that all attachments are to structural components that can support the load of the awning.

Install blocking as needed for installations where the mounting bolts do not pass through a structural member.



Install Z Brackets

Install the Z brackets to the host structure. Mounting hardware will vary depending on mounting conditions.

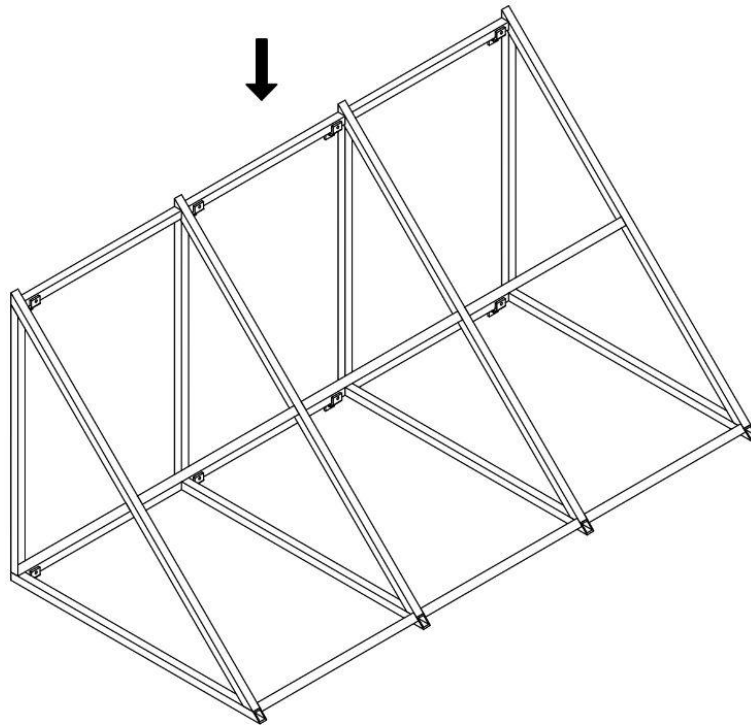


Mount Awning

Lift the awning into place above the Z brackets, then lower the awning down into the Z brackets.

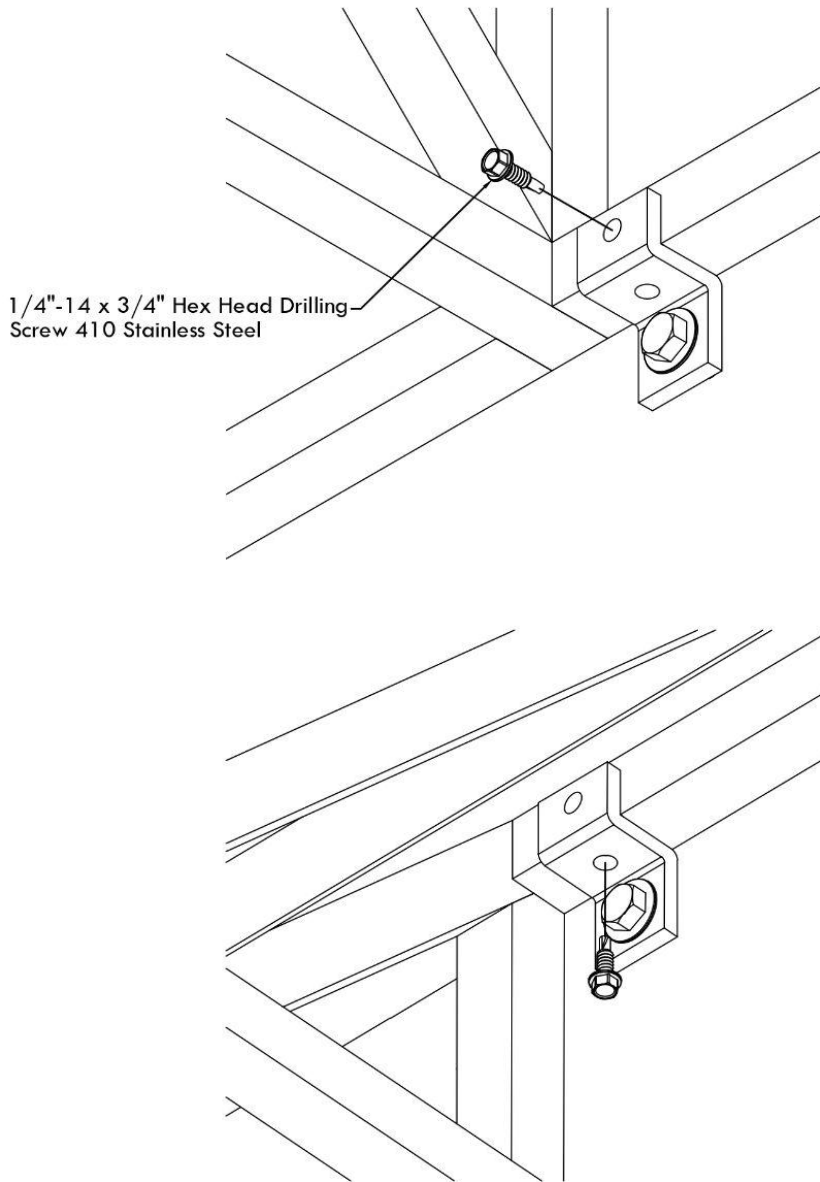
Check that the awning is fully seated in all Z brackets.

Check positioning of the awning on the building and make adjustments as needed.



Install Hardware

Secure the frame to the Z brackets with hardware. Hardware will typically be installed through the forward facing hole when accessible. For upper Z brackets, this may not be possible, and the downward facing hole may be used.



Paint Touch-Up

All awnings will require touch up over time and at completion of construction. Use extreme care when handling components. Touch up paint is provided. In the event of scratching or chipping, touch up the painted surface with the included brush. Apply light coats in order to allow the paint to flow and dry with a smooth finish.