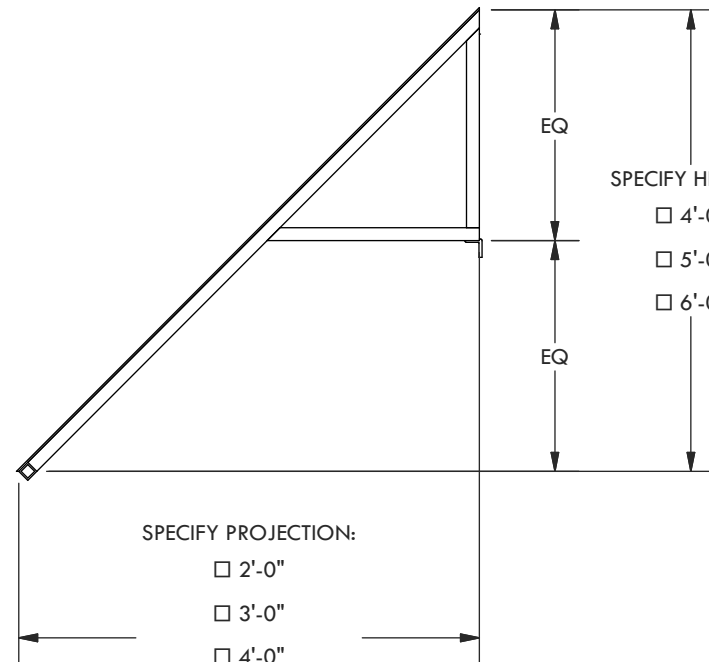




SPECIFY FINISH:

SPECIFY WIDTH:

- 4'-0"
- 6'-0"
- 8'-0"
- 10'-0"
- CUSTOM _____ (MAX 10'-0")

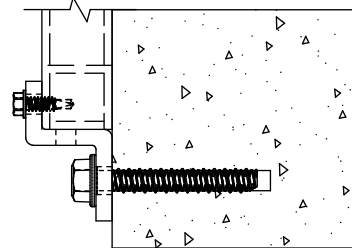
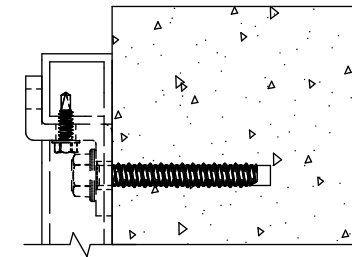
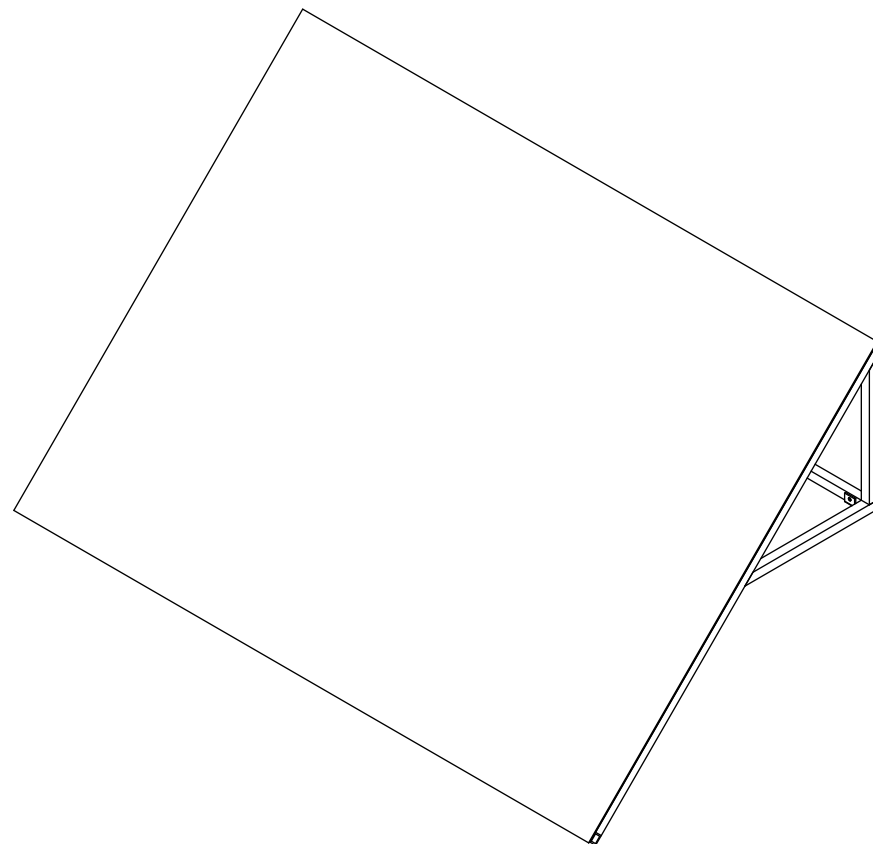


SPECIFY HEIGHT:

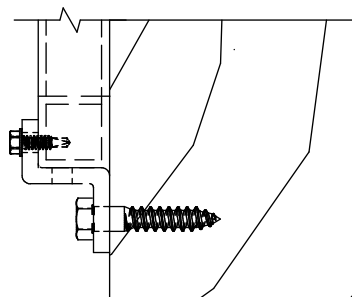
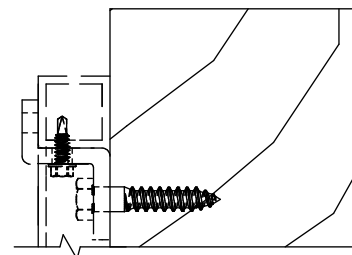
- 4'-0"
- 5'-0"
- 6'-0"

SPECIFY PROJECTION:

- 2'-0"
- 3'-0"
- 4'-0"
- 5'-0"
- 6'-0"



WALL CONNECTION
CONCRETE



WALL CONNECTION
WOOD FRAMING

DESCRIPTION			
UMBRA AC450S			
REV	BY	DESCRIPTION	DATE
	SP	INITIAL RELEASE	02/23/24

© 2024 Structureworks

STRUCTUREWORKS™

www.structureworks.com 877.489.8064