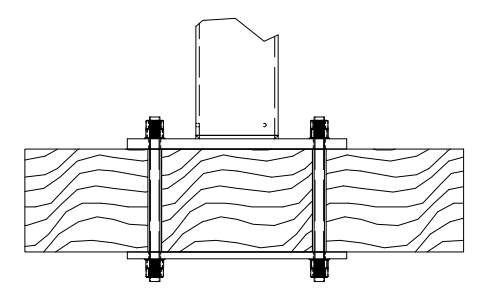
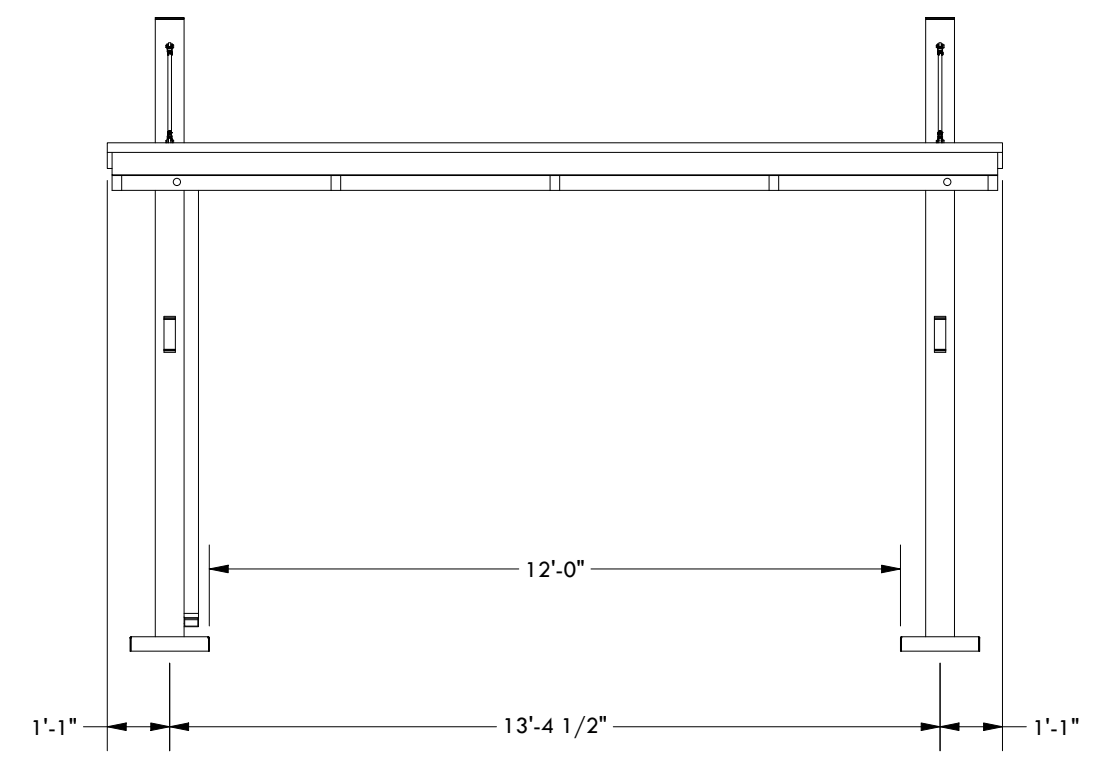
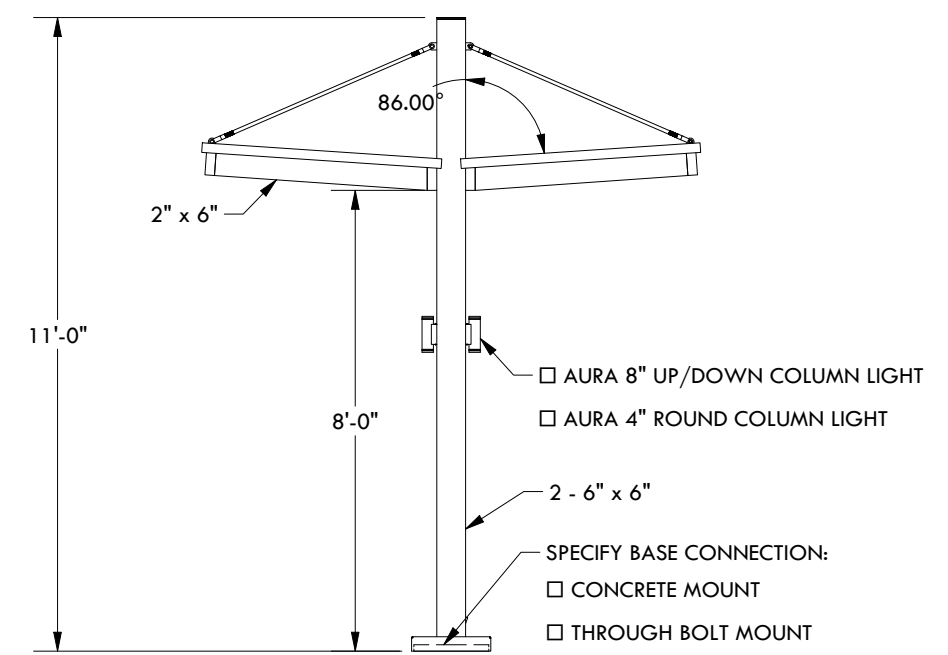


CONCRETE MOUNT



THROUGH BOLT MOUNT



DESCRIPTION			
<b>UMBRA SRC - 12</b>			
REV	BY	DESCRIPTION	DATE
	SP	INITIAL RELEASE	07/31/23

**STRUCTUREWORKS**<sup>TM</sup>

www.structureworks.com 877.489.8064

© 2023 Structureworks