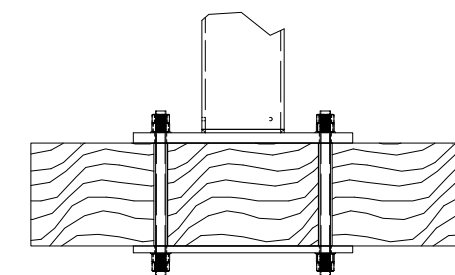
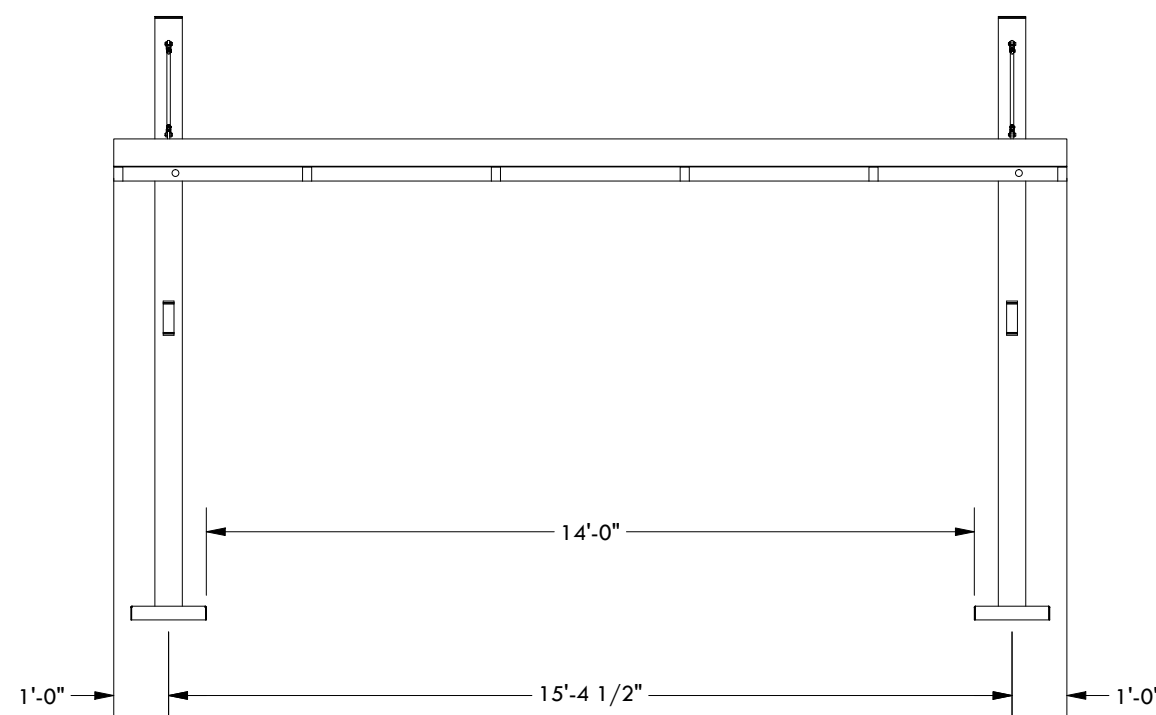
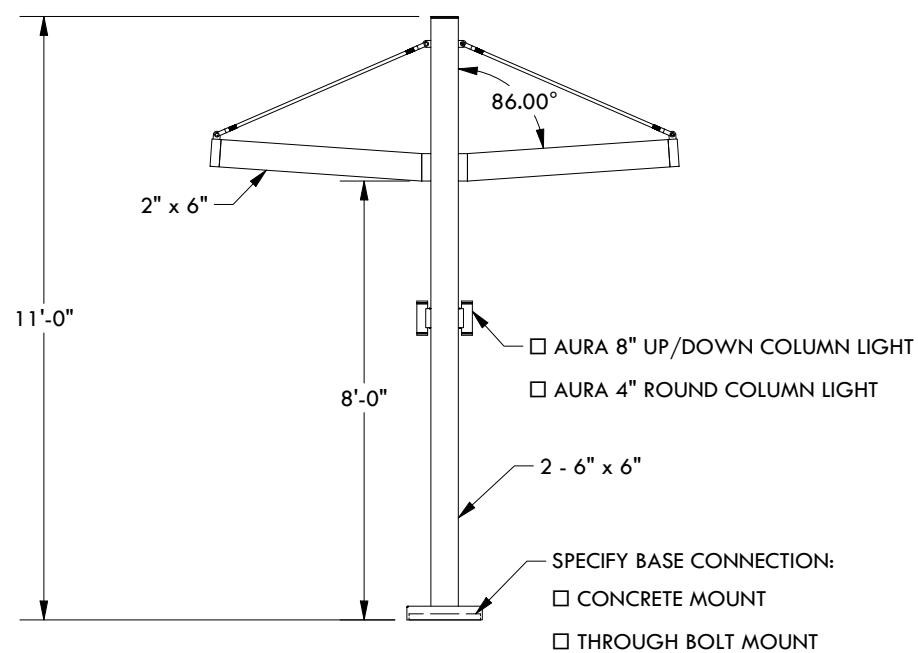


CONCRETE MOUNT



THROUGH BOLT MOUNT



DESCRIPTION			
<b>UMBRA SSC - 14</b>			
REV	BY	DESCRIPTION	DATE
	SP	INITIAL RELEASE	07/31/23

© 2023 Structureworks

**STRUCTUREWORKS**™

www.structureworks.com 877.489.8064