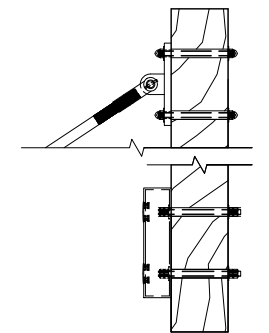
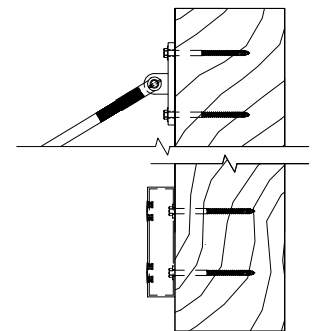


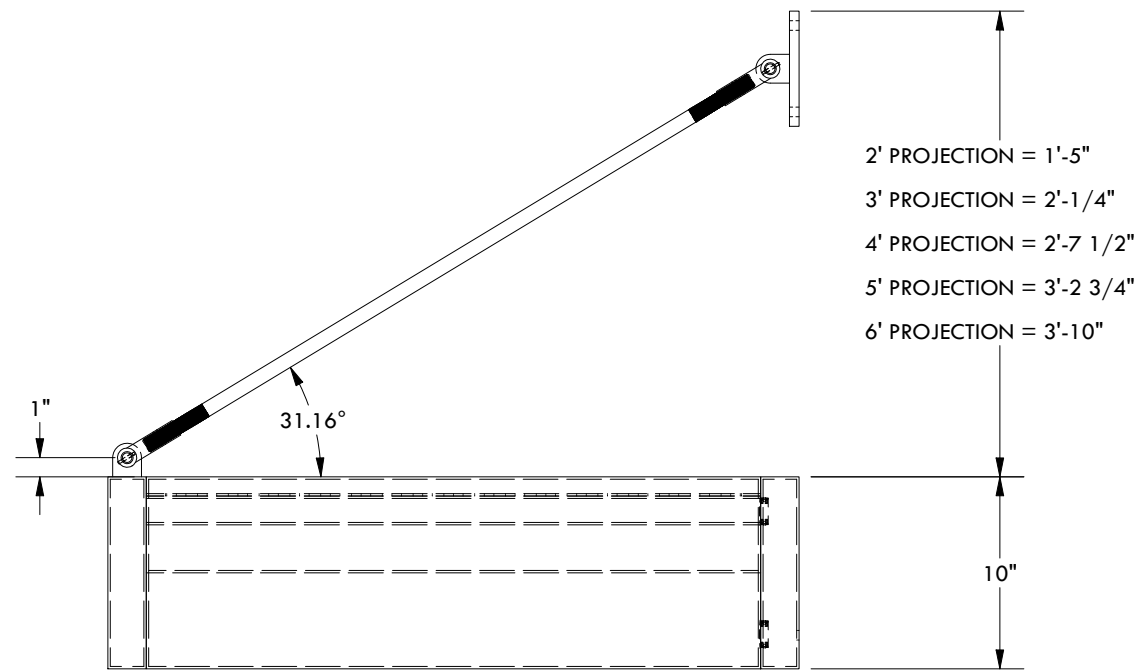
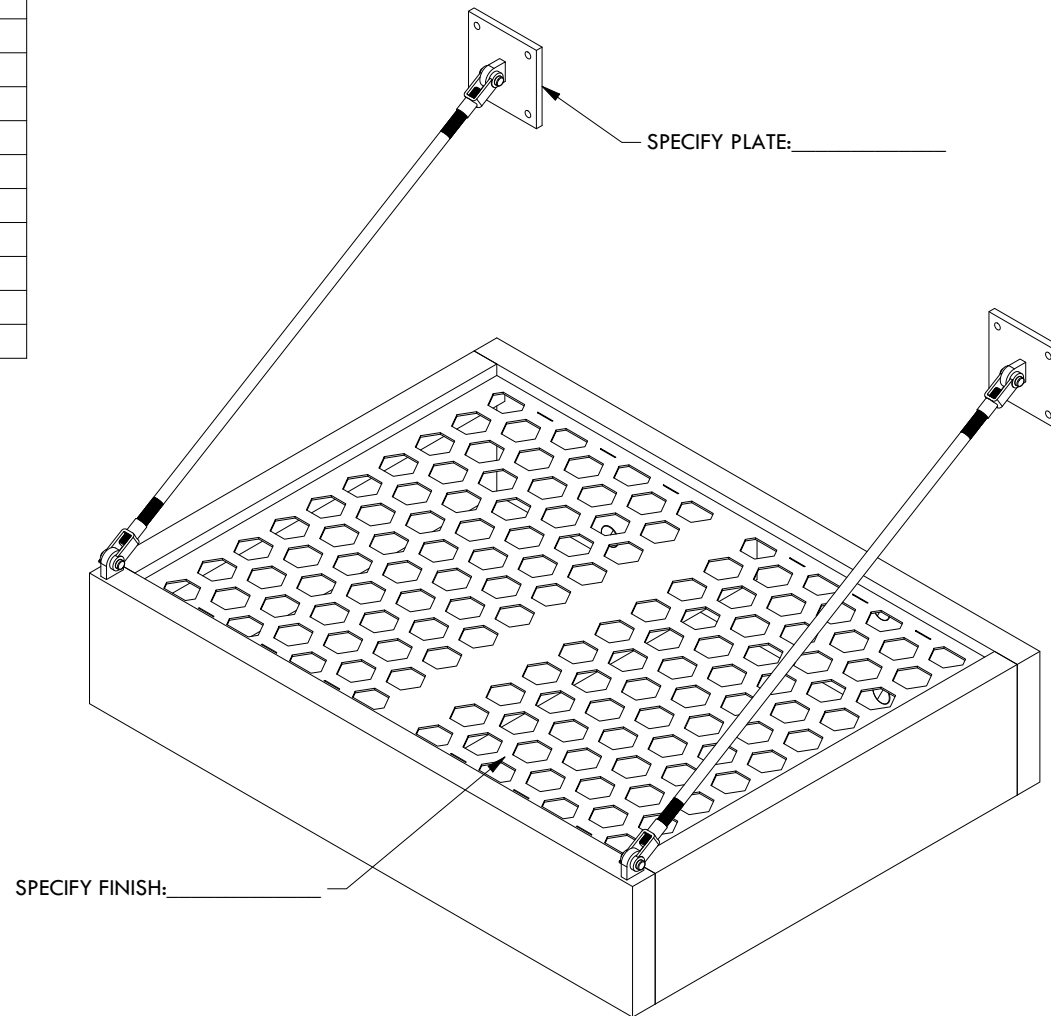
WALL CONNECTION
CONCRETE



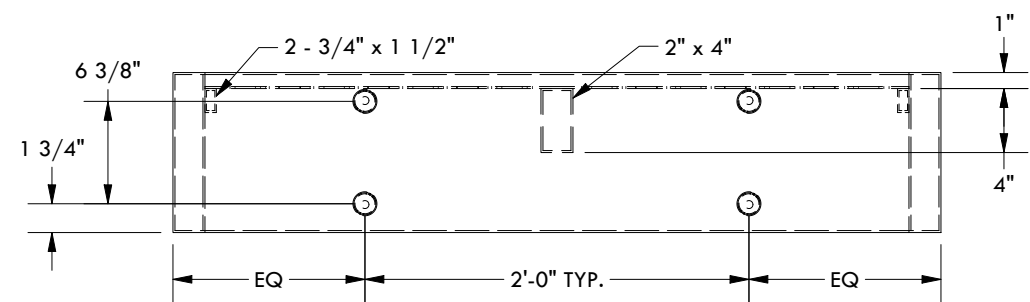
WALL CONNECTION
THROUGH BOLT



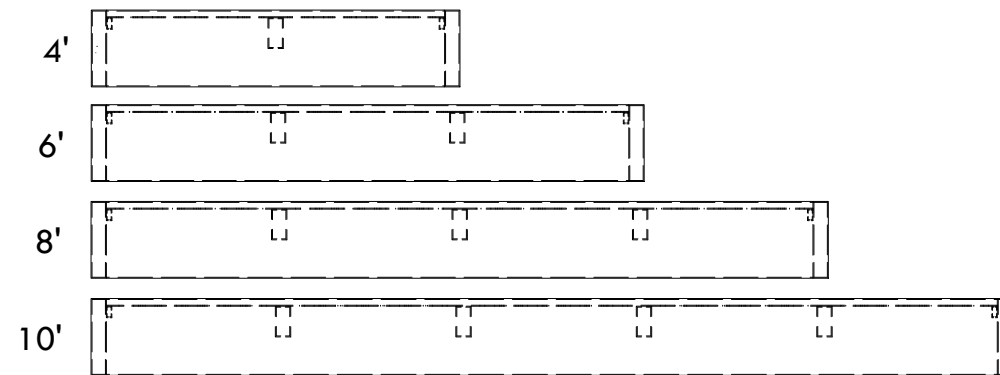
WALL CONNECTION
WOOD FRAMING



SECTION A-A



SECTION B-B



WIDTH REFERENCE

DESCRIPTION			
UMBRA PSC-10			
REV	BY	DESCRIPTION	DATE
	SP	INITIAL RELEASE	07/10/23
STRUCTUREWORKS™			
www.structureworks.com 877.489.8064			

© 2023 Structureworks