

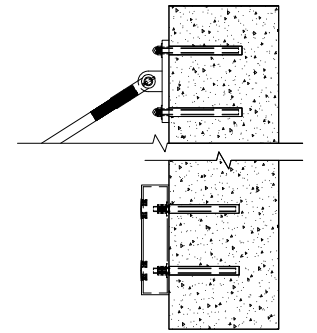
6" SQUARE PLATE

6" DIAMOND PLATE

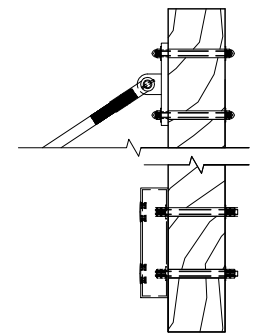
6" ROUND PLATE

LED LIGHTING

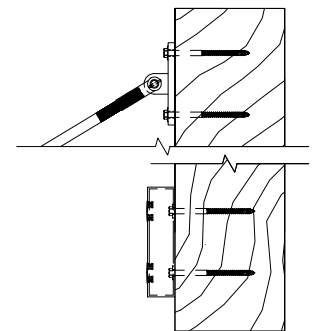
LED QUANTITY / FRAME SIDE	
PROJECTION	QTY
2'-0"	1
3'-0"	2
4'-0"	2
5'-0"	3
6'-0"	3
WIDTH	QTY
4'-0"	2
6'-0"	3
8'-0"	3
10'-0"	4



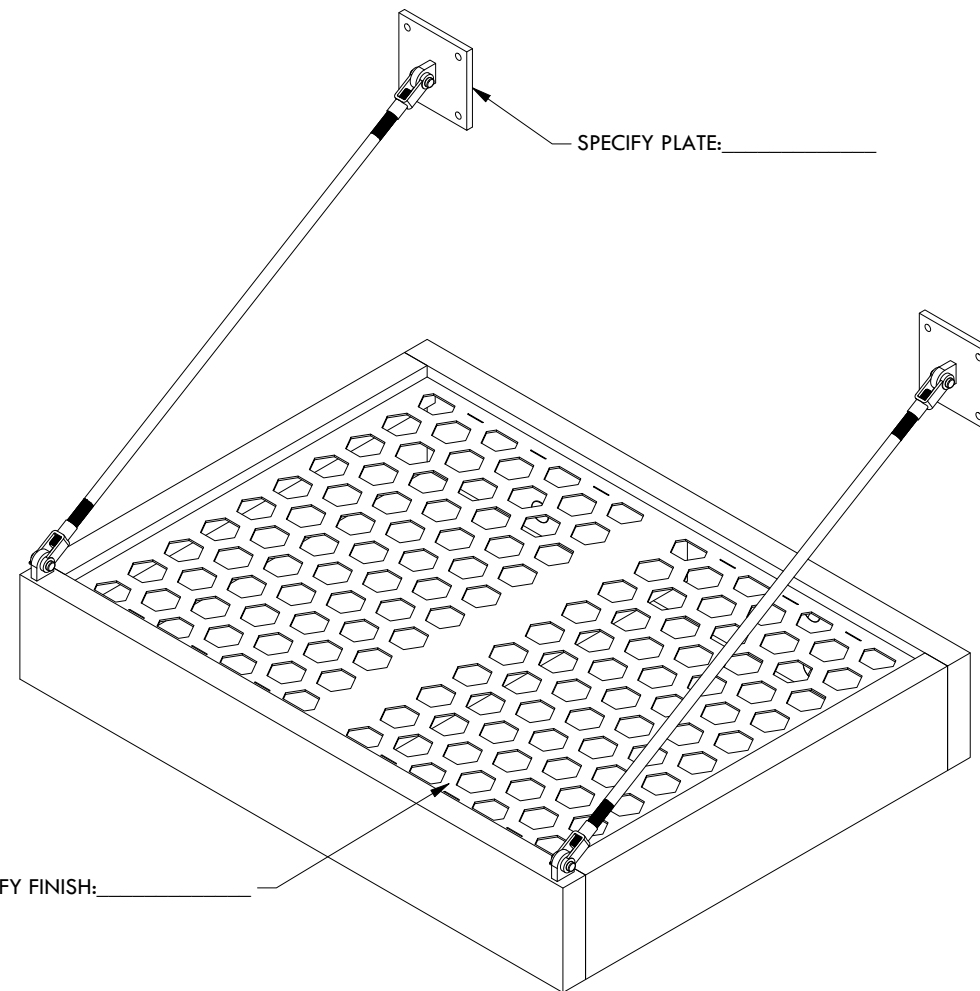
WALL CONNECTION
CONCRETE



WALL CONNECTION
THROUGH BOLT

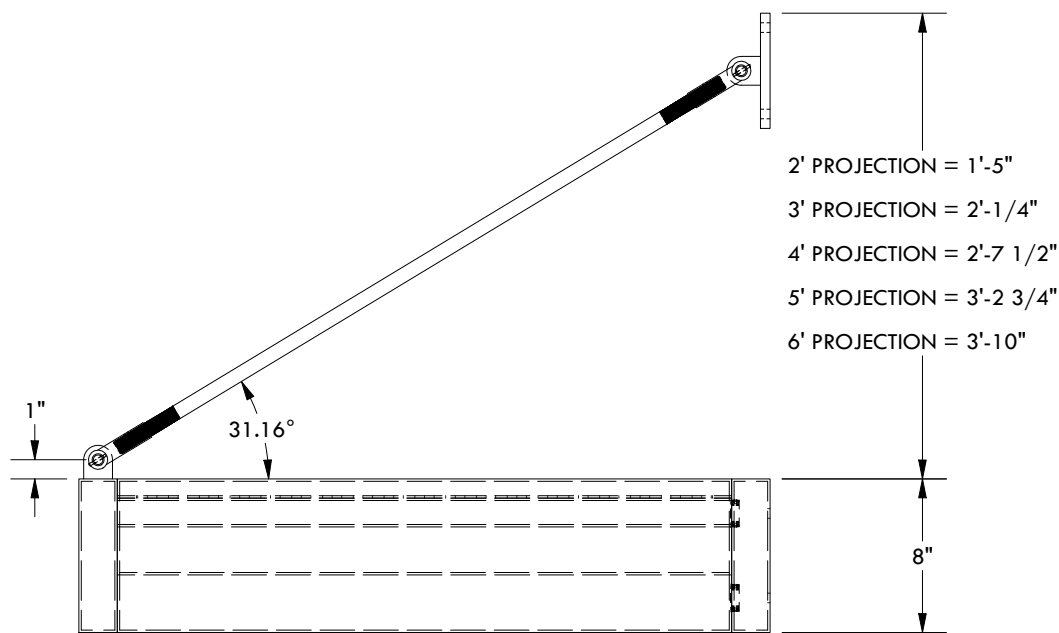


WALL CONNECTION
WOOD FRAMING

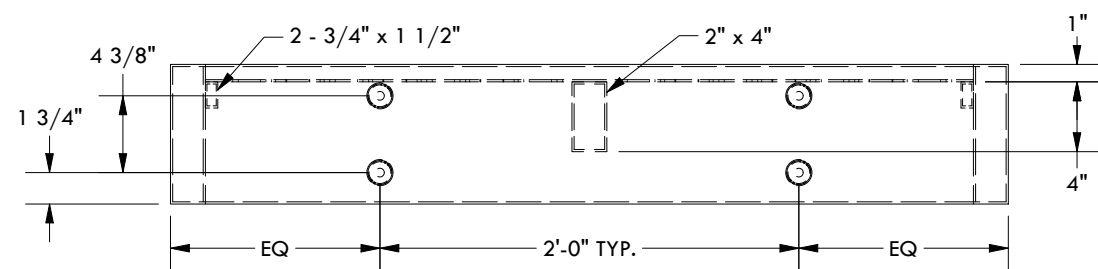


SPECIFY FINISH:

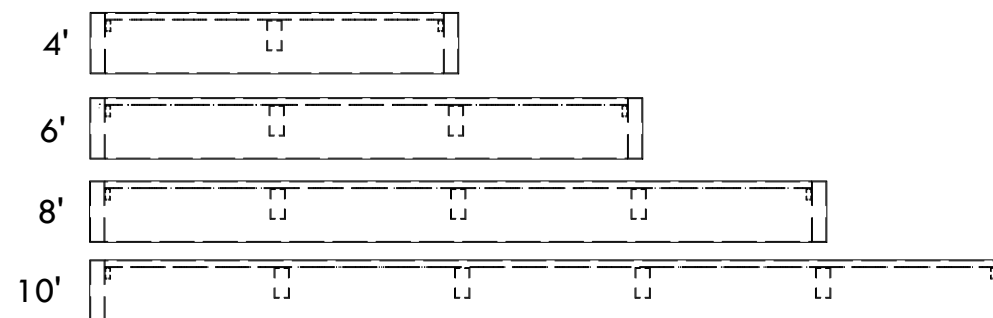
SPECIFY PLATE:



SECTION A-A



SECTION B-B



WIDTH REFERENCE

DESCRIPTION			
UMBRA PSC-8			
REV	BY	DESCRIPTION	DATE
	SP	INITIAL RELEASE	07/10/23
STRUCTUREWORKS TM			
www.structureworks.com 877.489.8064			

© 2023 Structureworks