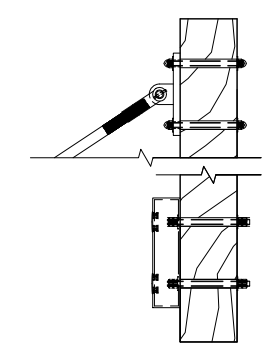
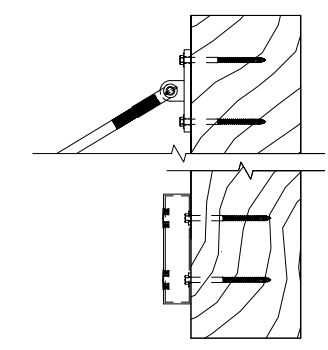


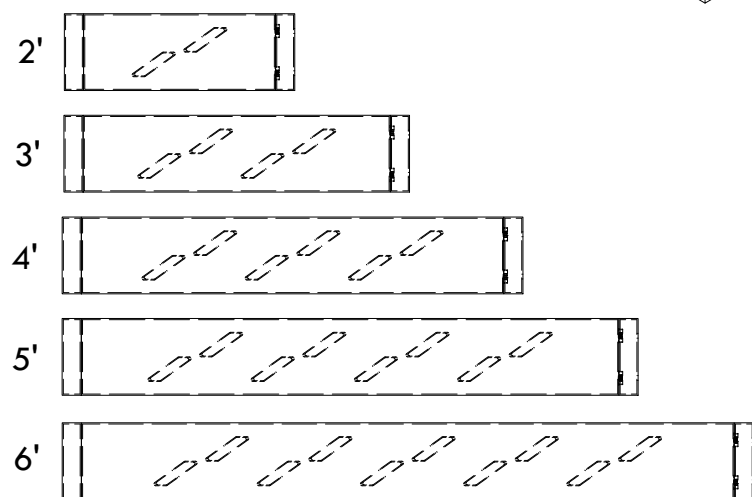
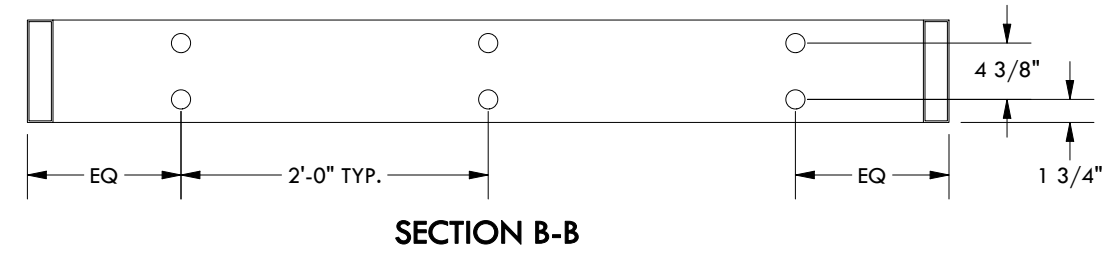
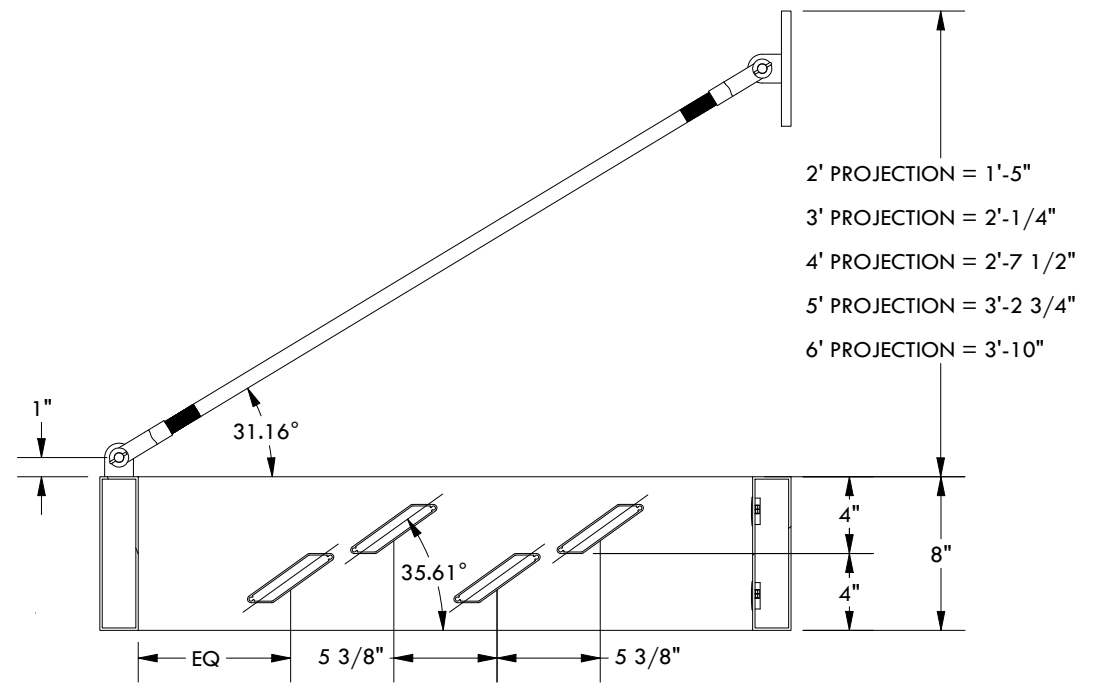
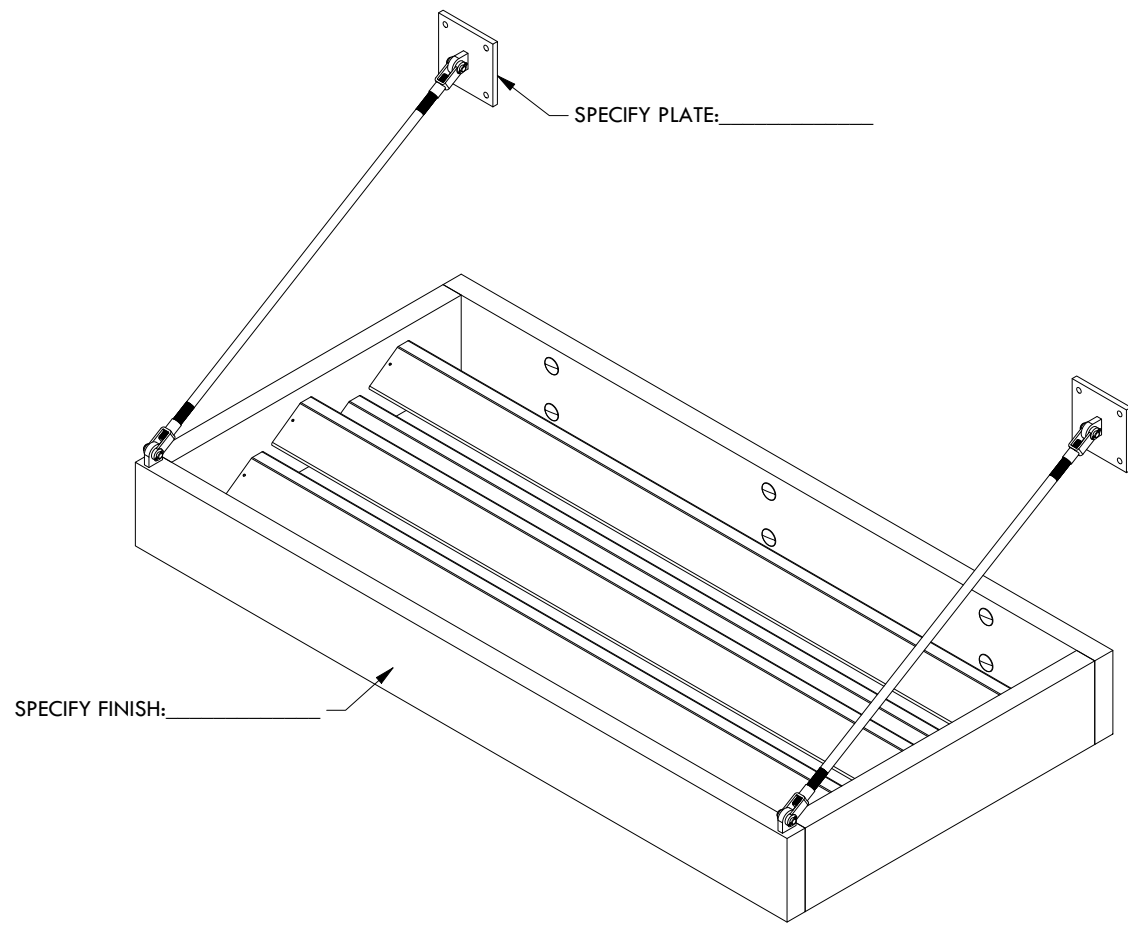
WALL CONNECTION CONCRETE



WALL CONNECTION THROUGH BOLT



WALL CONNECTION WOOD FRAMING



DESCRIPTION			
UMBRA LSC-8			
REV	BY	DESCRIPTION	DATE
	SP	INITIAL RELEASE	07/10/23

STRUCTUREWORKS™
 www.structureworks.com 877.489.8064

© 2023 Structureworks