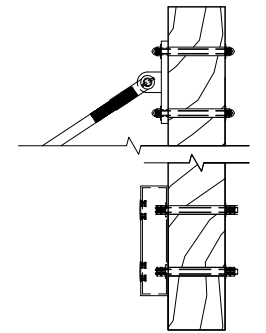
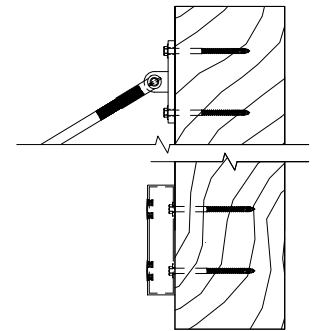


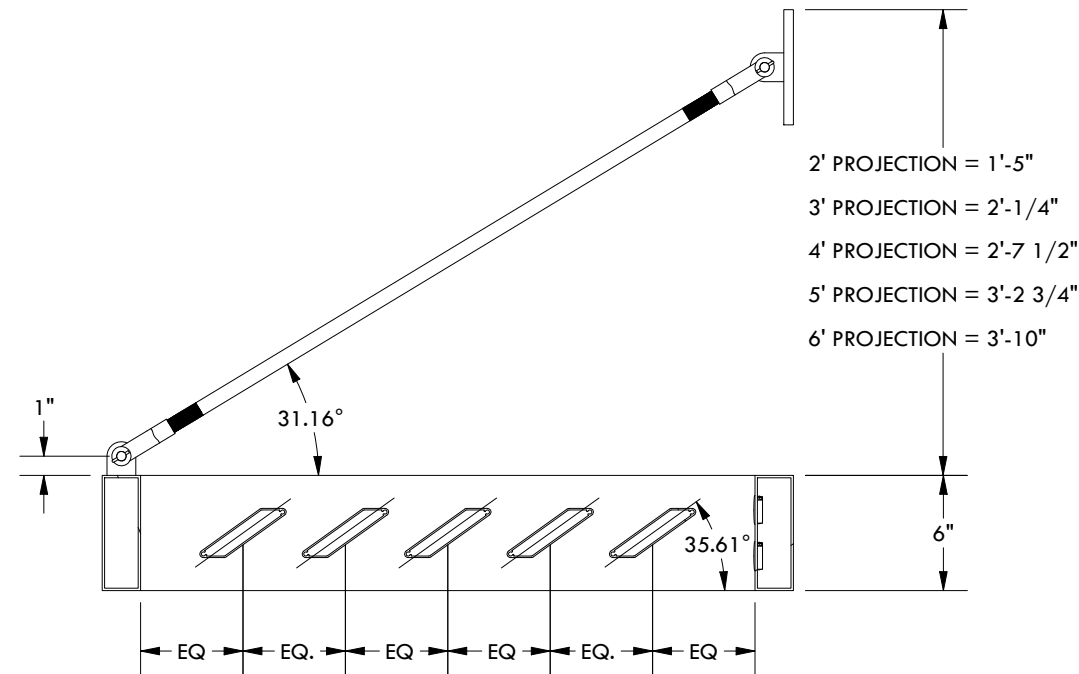
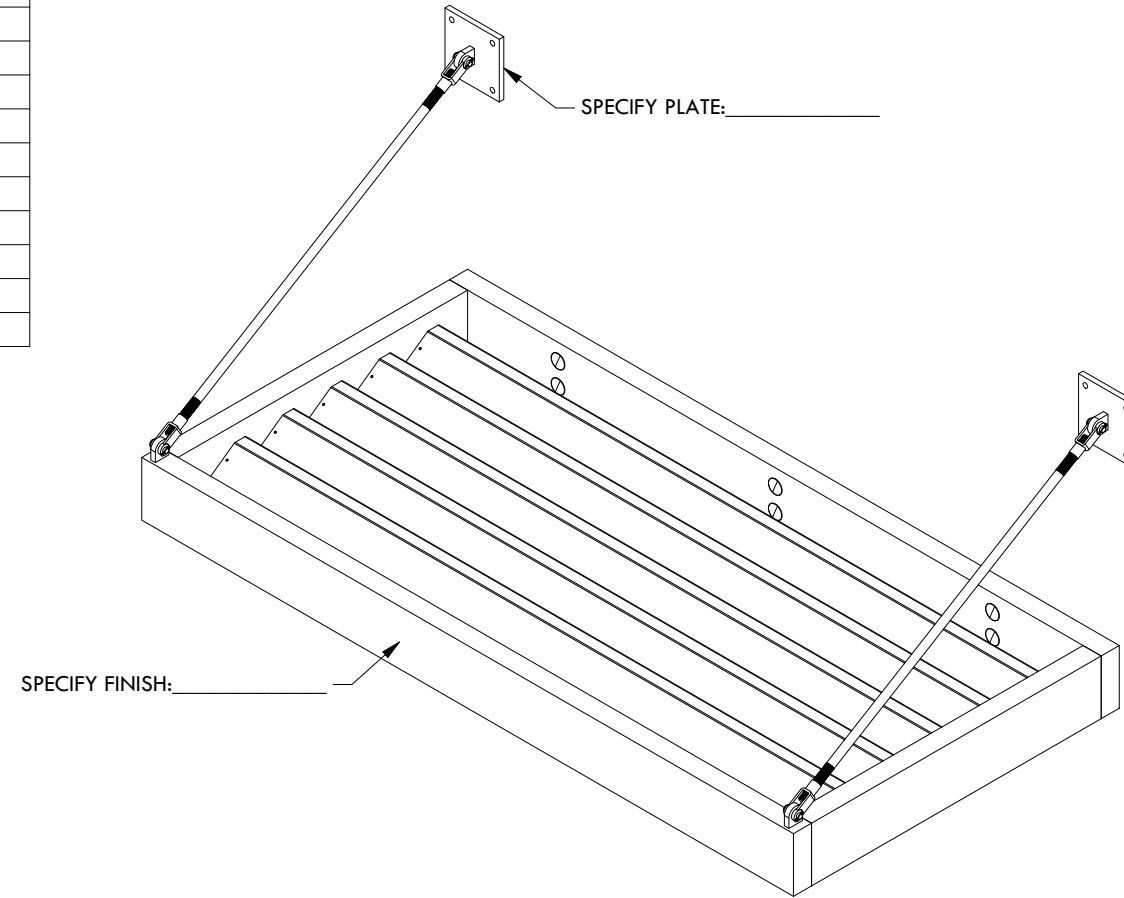
WALL CONNECTION  
CONCRETE



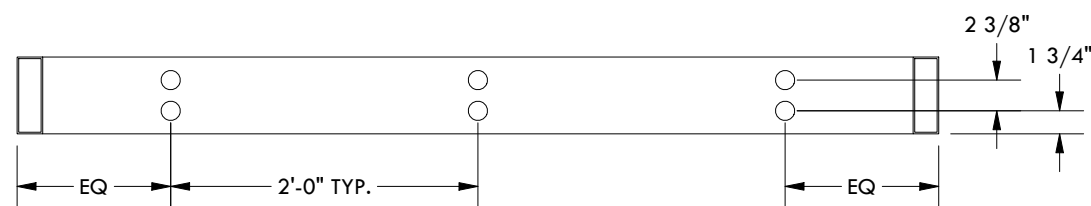
WALL CONNECTION  
THROUGH BOLT



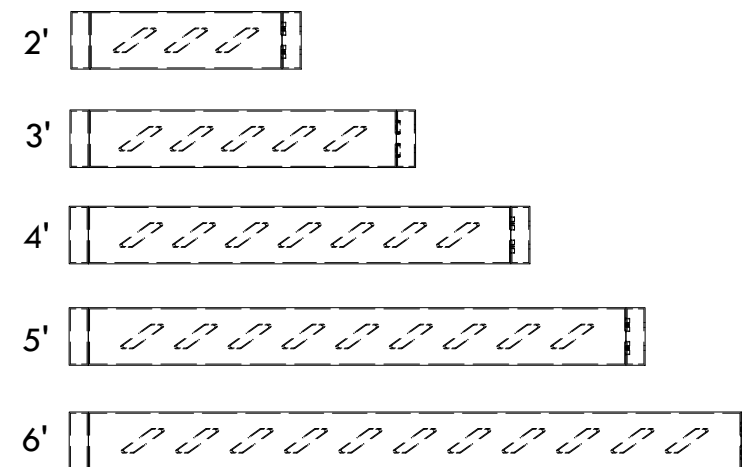
WALL CONNECTION  
WOOD FRAMING



SECTION A-A



SECTION B-B



PROJECTION REFERENCE

DESCRIPTION			
<b>UMBRA LSC-6</b>			
REV	BY	DESCRIPTION	DATE
	SP	INITIAL RELEASE	07/10/23

© 2023 Structureworks

**STRUCTUREWORKS**™

www.structureworks.com 877.489.8064