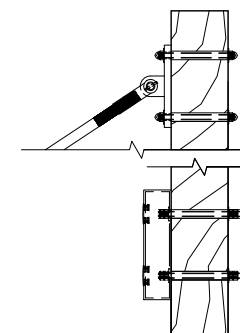
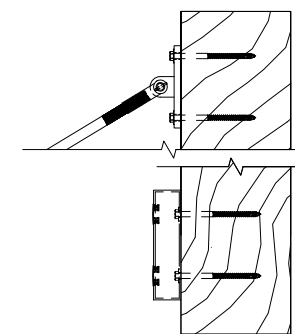


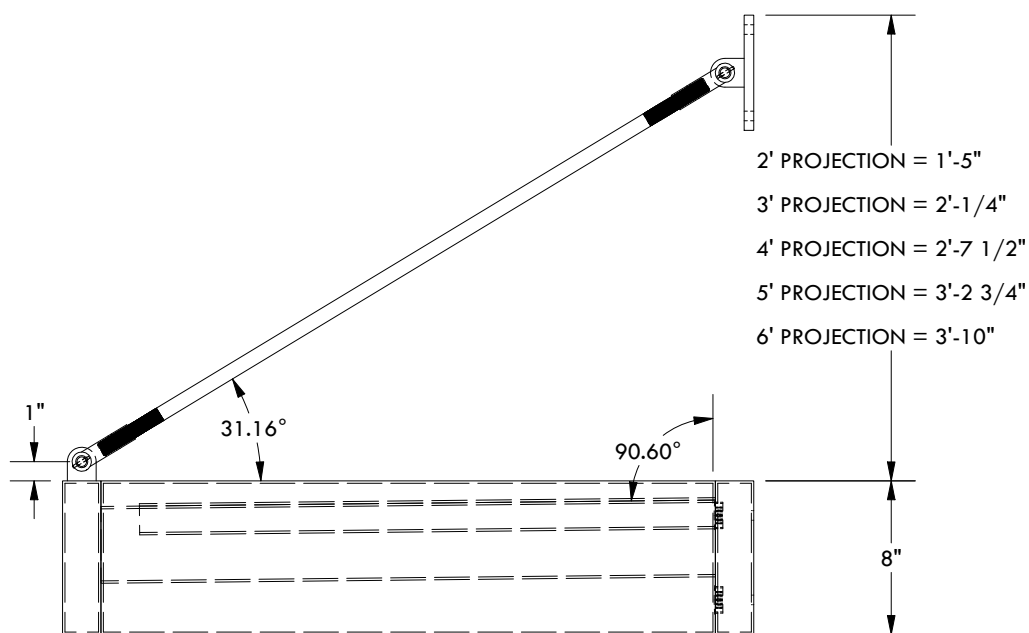
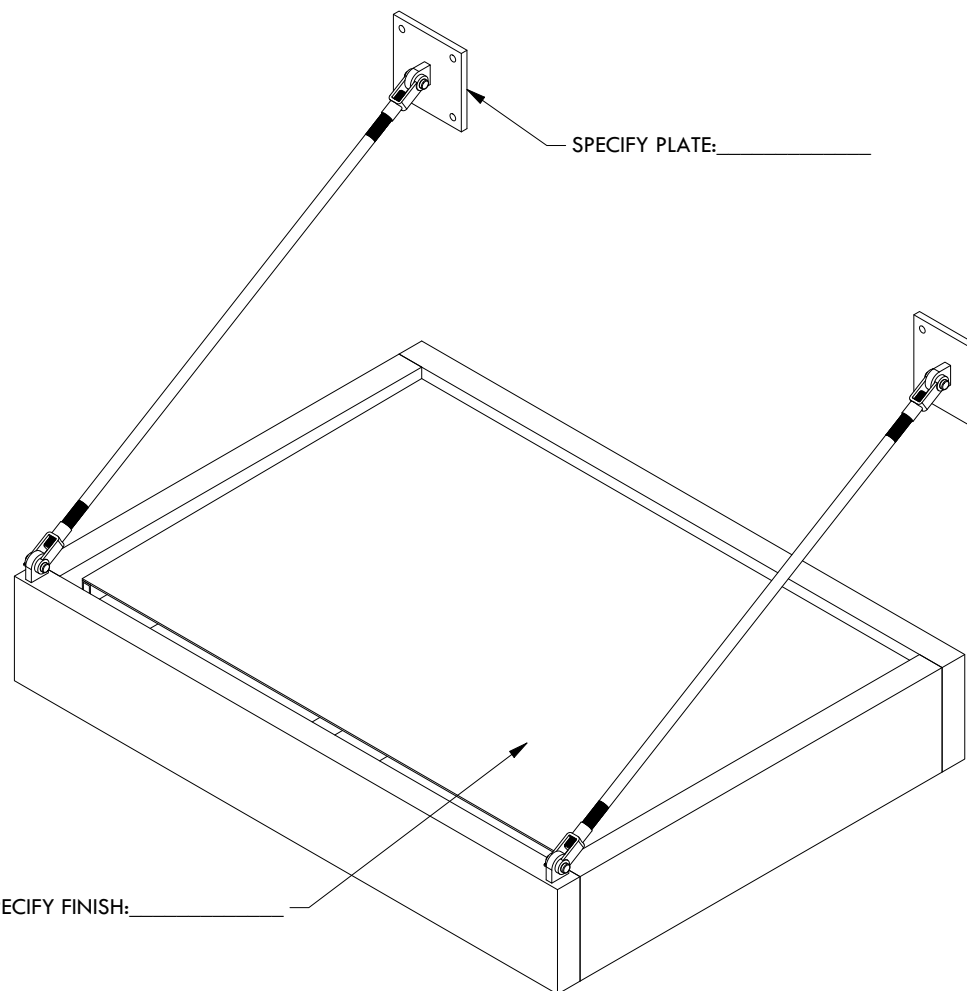
WALL CONNECTION  
CONCRETE



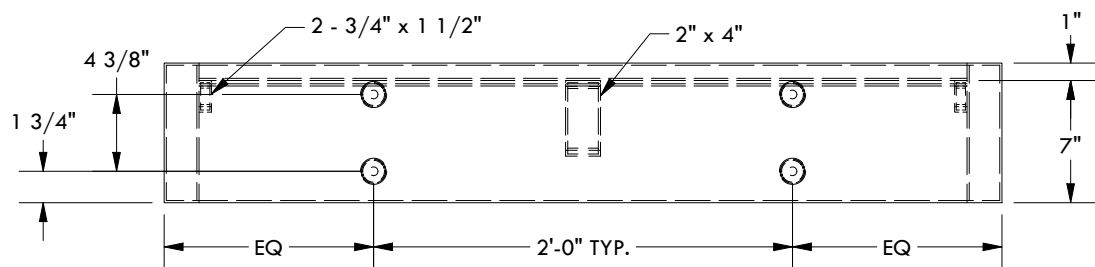
WALL CONNECTION  
THROUGH BOLT



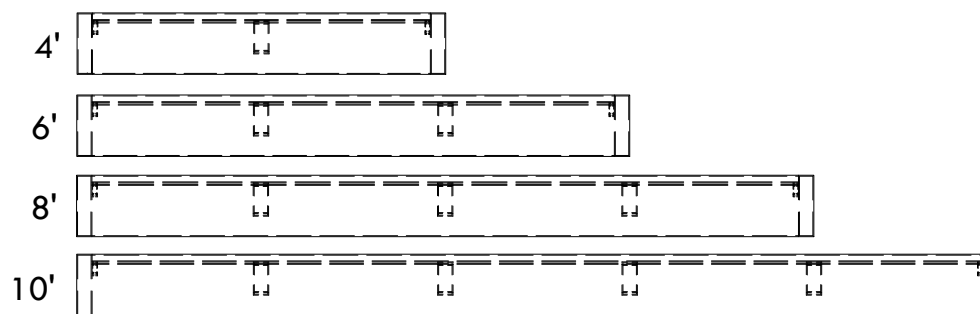
WALL CONNECTION  
WOOD FRAMING



SECTION A-A



SECTION B-B



WIDTH REFERENCE

DESCRIPTION			
<b>UMBRA RPC-8</b>			
REV	BY	DESCRIPTION	DATE
	SP	INITIAL RELEASE	07/10/23

© 2023 Structureworks

**STRUCTUREWORKS**<sup>TM</sup>

www.structureworks.com 877.489.8064