

SPECIFY PROJECTION:

- 2'-0"
- 3'-0"
- 4'-0"
- 5'-0"
- 6'-0"

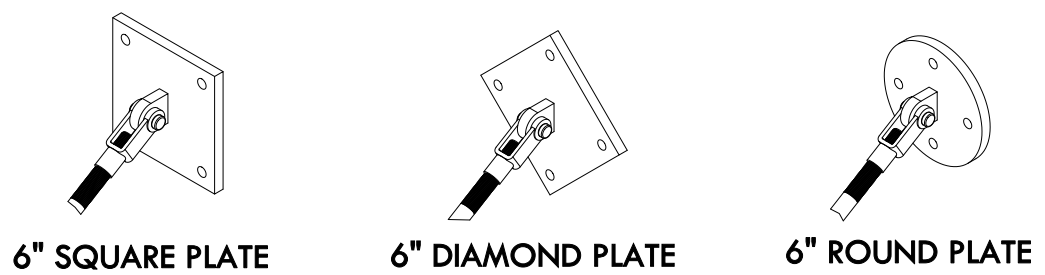
SPECIFY WIDTH:

- 4'-0"
- 6'-0"
- 8'-0"
- 10'-0"
- CUSTOM _____ (MAX 10'-0")

SOLID PANEL

LED LIGHTING

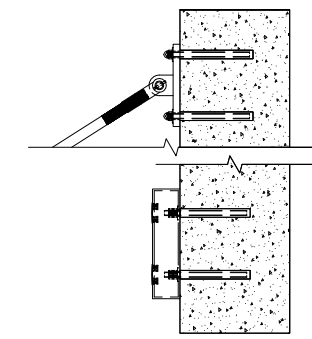
LED QUANTITY / FRAME SIDE	
PROJECTION	QTY
2'-0"	1
3'-0"	2
4'-0"	2
5'-0"	3
6'-0"	3
WIDTH	QTY
4'-0"	2
6'-0"	3
8'-0"	3
10'-0"	4



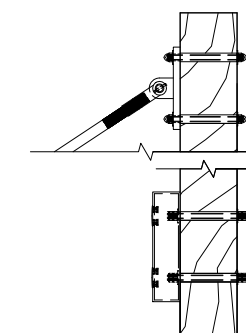
6" SQUARE PLATE

6" DIAMOND PLATE

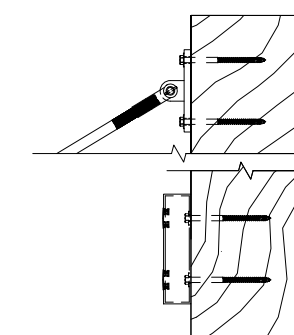
6" ROUND PLATE



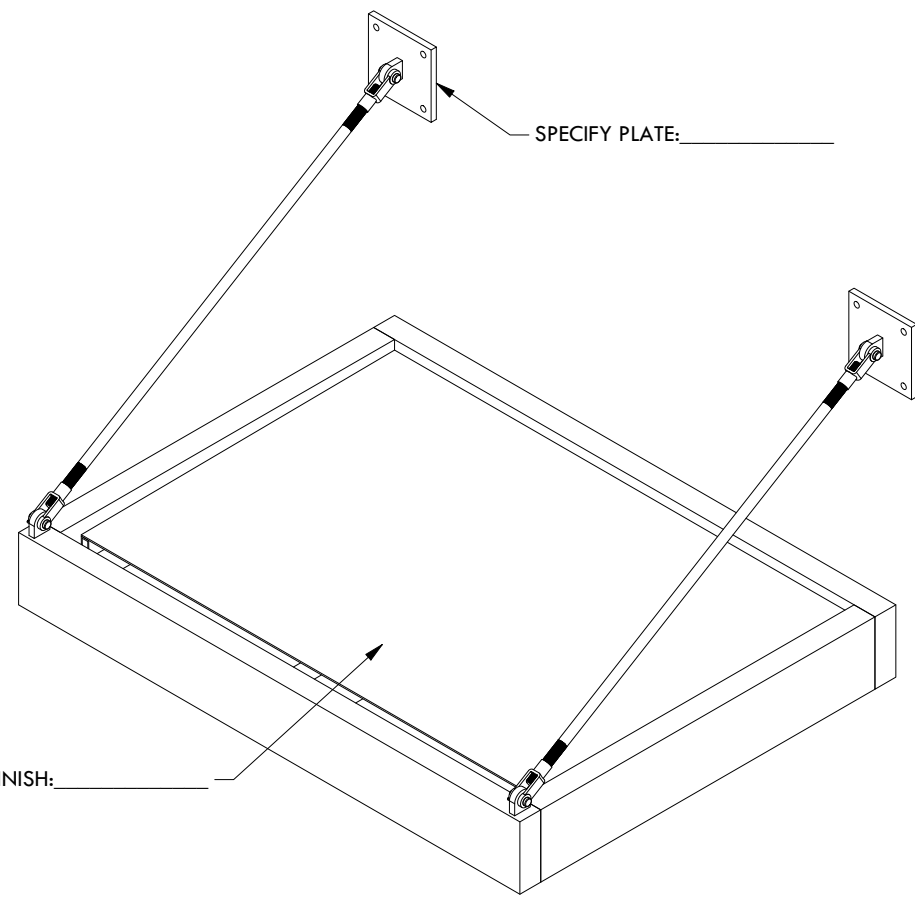
WALL CONNECTION
CONCRETE



WALL CONNECTION
THROUGH BOLT

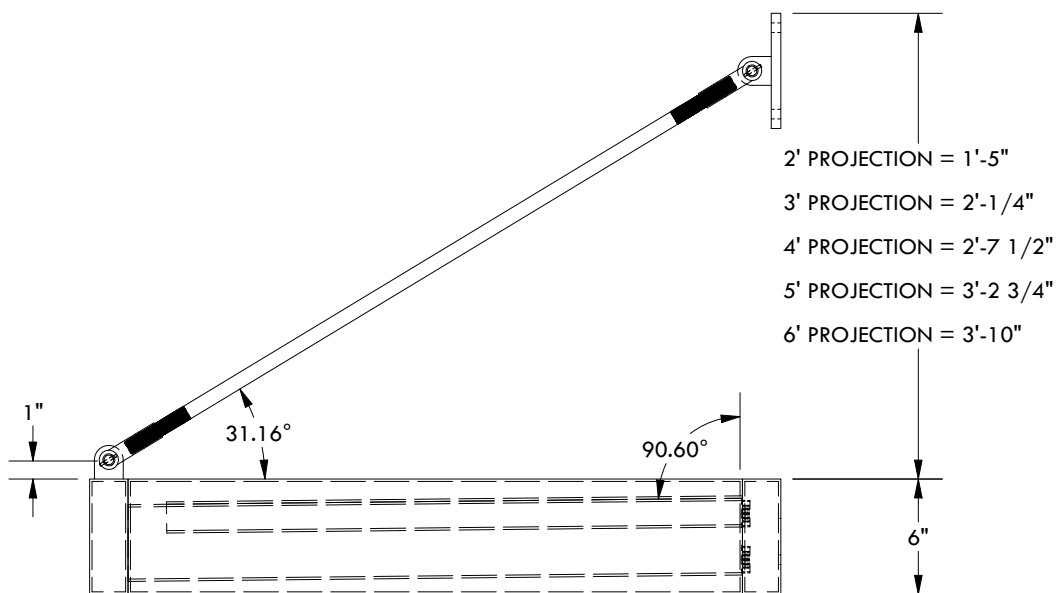


WALL CONNECTION
WOOD FRAMING



SPECIFY FINISH:

SPECIFY PLATE:



SECTION A-A

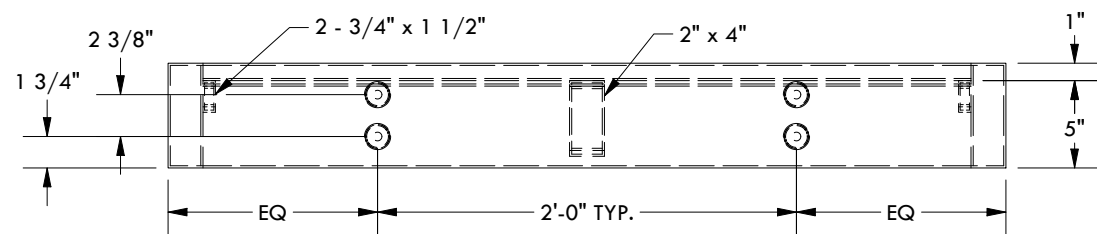
2' PROJECTION = 1'-5"

3' PROJECTION = 2'-1 1/4"

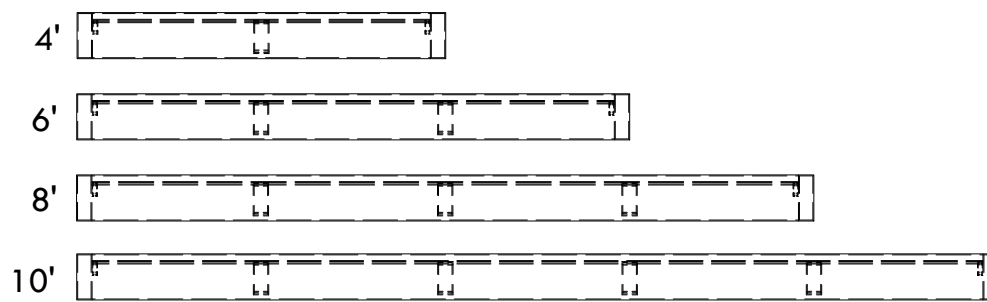
4' PROJECTION = 2'-7 1/2"

5' PROJECTION = 3'-2 3/4"

6' PROJECTION = 3'-10"



SECTION B-B



WIDTH REFERENCE

DESCRIPTION			
UMBRA RPC-6			
REV	BY	DESCRIPTION	DATE
	SP	INITIAL RELEASE	07/10/23
STRUCTUREWORKS TM			
www.structureworks.com 877.489.8064			

© 2023 Structureworks