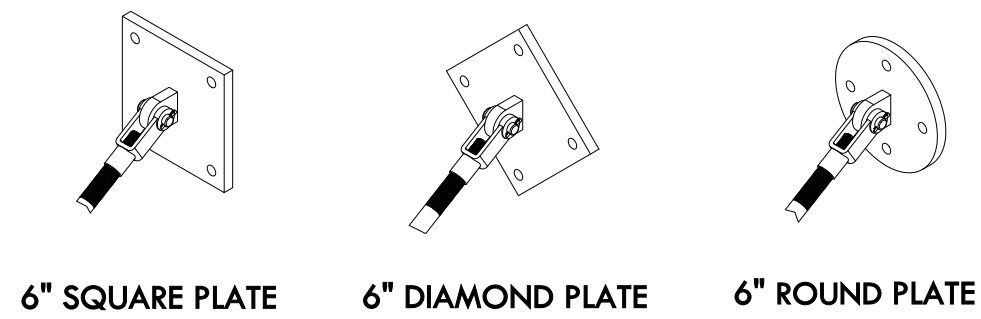


- SPECIFY PROJECTION:
- 2'-0"
 - 3'-0"
 - 4'-0"
 - 5'-0"
 - 6'-0"

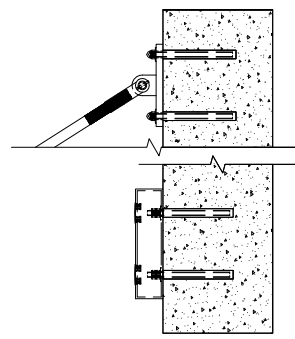
- SPECIFY WIDTH:
- 4'-0"
 - 6'-0"
 - 8'-0"
 - 10'-0"
 - CUSTOM _____ (MAX 10'-0")

LED LIGHTING

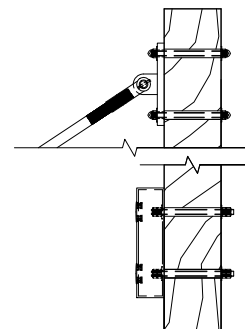
LED QUANTITY / FRAME SIDE	
PROJECTION	QTY
2'-0"	1
3'-0"	2
4'-0"	2
5'-0"	3
6'-0"	3
WIDTH	QTY
4'-0"	2
6'-0"	3
8'-0"	3
10'-0"	4



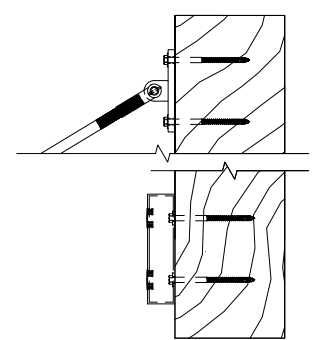
6" SQUARE PLATE 6" DIAMOND PLATE 6" ROUND PLATE



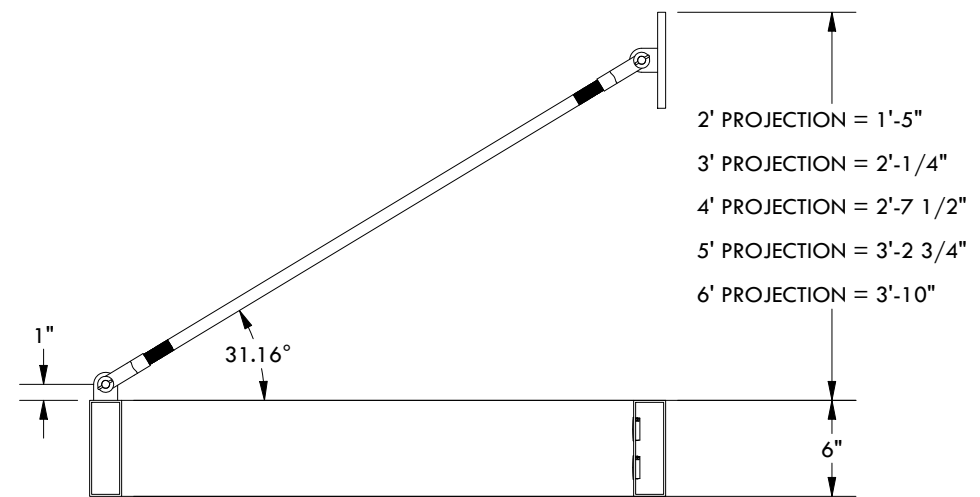
WALL CONNECTION CONCRETE



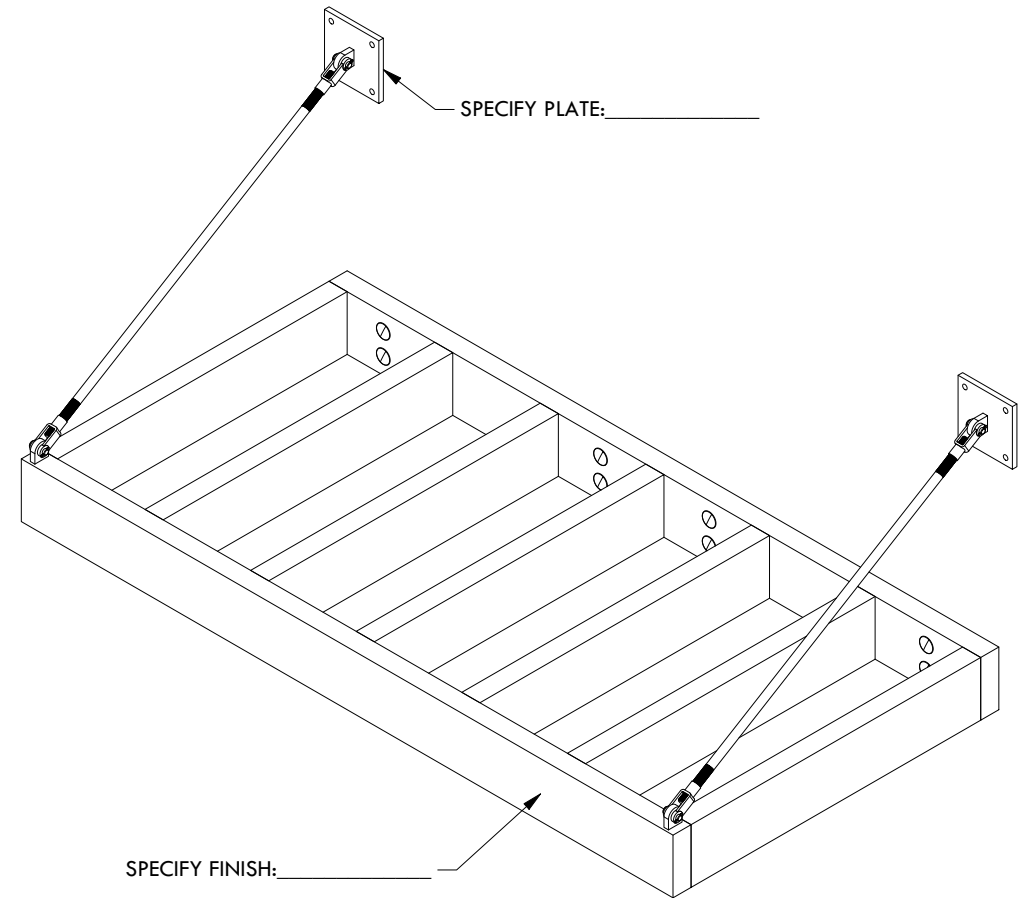
WALL CONNECTION THROUGH BOLT



WALL CONNECTION WOOD FRAMING

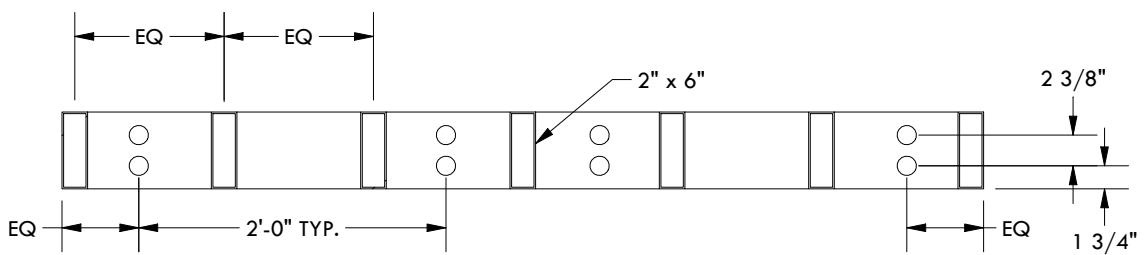


SECTION A-A

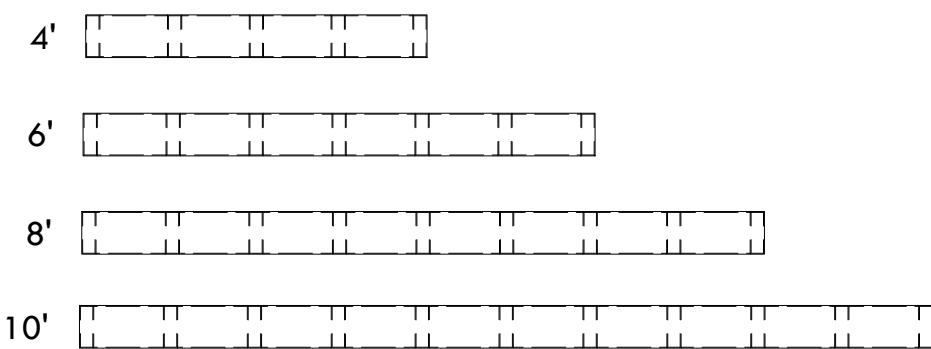


SPECIFY FINISH: _____

SPECIFY PLATE: _____



SECTION B-B



WIDTH REFERENCE

DESCRIPTION			
UMBRA BSC-6			
REV	BY	DESCRIPTION	DATE
	SP	INITIAL RELEASE	07/10/23
STRUCTUREWORKS™			
www.structureworks.com 877.489.8064			

© 2023 Structureworks