

ShadeFlex Blind Installation Guide

Read this guide and review shop drawings and notes before beginning installation.

All packages should be opened and inspected for hidden damage upon receipt. Any missing or damaged components should be noted on the delivery receipt with the carrier before accepting the shipment. Repackage all components and carefully store in an area protected from the weather until ready for installation. Handle materials so as to protect materials, coatings, fabric and finishes during transportation and installation to prevent damage or staining.

It is the responsibility of the installer to meet or exceed all code and safety requirements, and to obtain all required building permits. These instructions are only a guide, and may not address every circumstance. The installer should determine and implement appropriate installation techniques for each situation. Structureworks shall not be held liable for improper or unsafe installations.

Recommended Tools

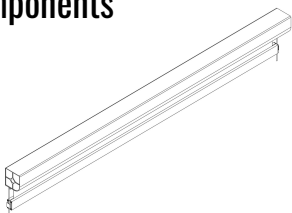
- Pencil
- 4' Level
- 8' Ladder (2)
- Cable Cutter
- 5mm Allen Wrench
- Adjustable Wrench
- 25' Tape Measure
- Drill/Impact Driver
- 3/8" Nut Driver
- Philips Screwdriver

Required electrical tools and supplies will vary based on chosen method of installation.

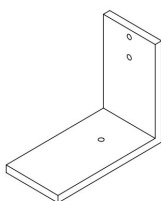
Use and Maintenance

- Do not use the blind in rain or high winds.
- If the fabric is retracted when wet, extend the fabric to dry as soon as possible.
- All components should be inspected annually for wear and adjusted as needed.
- Rinsing the blind fabric once a month with a low pressure hose is the most effective way to reduce dirt accumulation. Ensure the fabric has dried fully before retracting the blind.
- Fabric Cleaning: Remove dirt with a soft brush, then spray the fabric with water using a low pressure hose. Next, prepare a solution of solvent free soap in warm water and apply it to the fabric evenly. Then, scrub the fabric with a soft brush allowing the solution to penetrate the fabric. Finally, rinse with water and let dry. For more aggressive cleaning, substitute the soap solution for a solution of 70% water, 20% solvent-free soap, and 10% bleach. Apply the solution to the fabric and allow it to sit for 15 minutes. Then, rinse the fabric thoroughly to fully remove the solution and let dry.

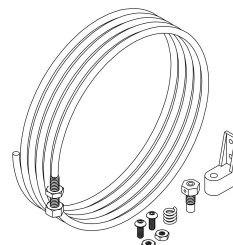
Components



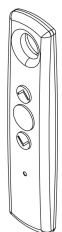
Cassette



Floor Bracket - 2



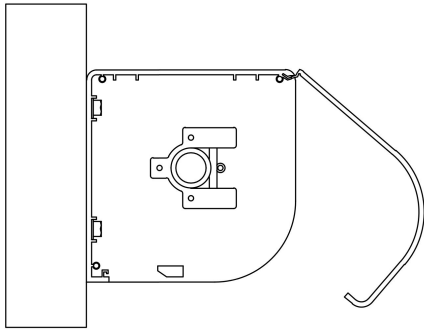
Cable/Hardware - 2



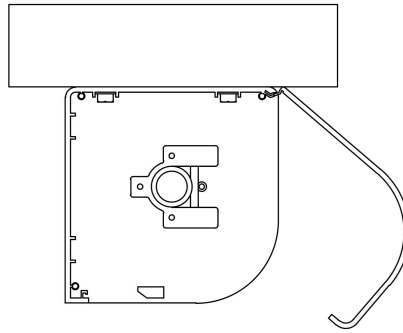
Remote

Mount Cassette

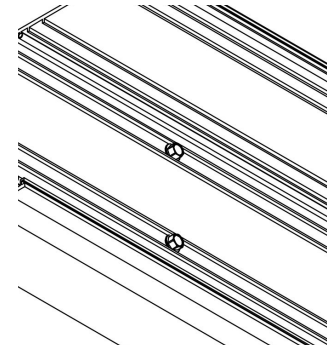
The cassette can be mounted to a vertical or a horizontal surface. Inside the cassette, on the top and back, there are two sets of guidelines where the mounting screws will be installed.



Vertical Mount

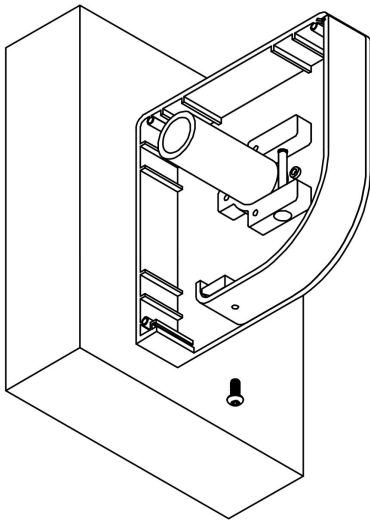


Horizontal Mount

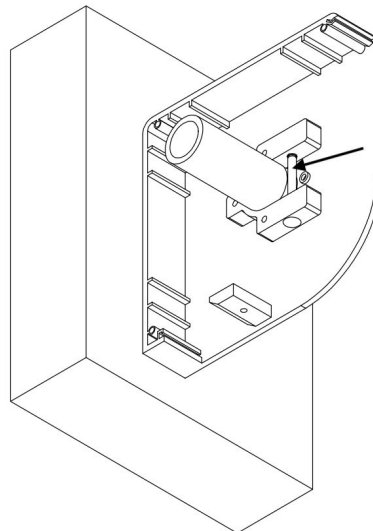


Screw Placement In Guidelines

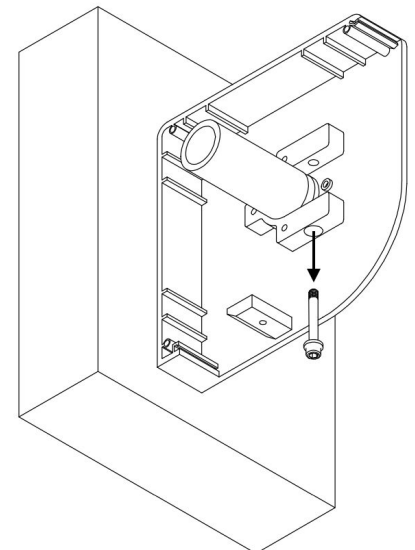
1. Mark the mounting surface where the top edge and each end of the cassette will be located.
2. Open the cassette by removing the screw at each end of the cassette. Using a 5mm Allen wrench, remove the bolts that hold the roller tube in place. Remove the roller tube.
3. Place the cassette on the marks made in step 1. Install screws or bolts, as noted in the shop drawings within both guidelines inside of the cassette, 6" in from each end and approximately every 4' along the length.
4. Confirm the blind is level, then replace the roller tube and re-install the roller assembly bolts.
5. Do not re-install the cassette cover.



Cassette Screw Removal



Roller Assembly Bolt



Bolt Removal

Connect Power

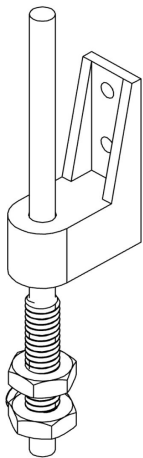
- The blind motor must be connected to 120 volt AC power.
- The motor has a 6' pigtail that can be connected to a junction box or terminated with a plug and connected to a receptacle. Material for electrical connections is not included.
- The motor draws a maximum of 1.3 amps when in operation. Multiple motors can be connected to the same circuit as long as normal loading requirements are followed.

Blind Operation Test

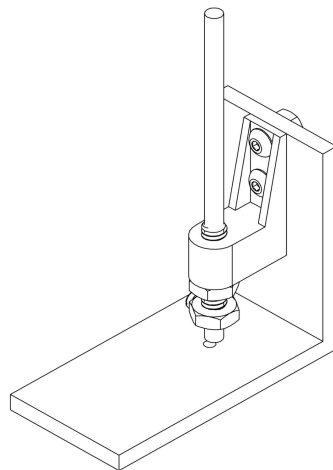
1. Once the blind has been mounted and connected to power, it is ready to operate.
2. Press DOWN on the remote control and watch to ensure the fabric lowers towards the ground. If the blind operates correctly, press MY/STOP.
3. Press UP on the remote control and watch to ensure that the fabric retracts into the cassette and that the motor stops when the fabric is fully retracted.

Mount Floor Brackets and Install Cables

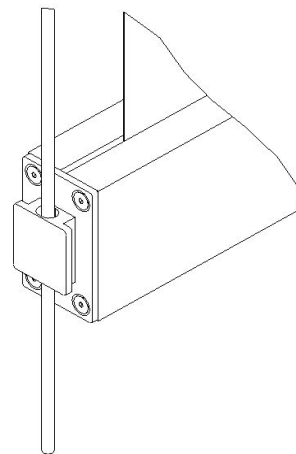
1. Center the floor bracket under the cable mounting location on the cassette. The center of the floor bracket will be $\frac{5}{8}$ " in from each end of the cassette. Attach the floor bracket using appropriate screws for the mounting surface.
2. On the threaded end of the cable, install a standard hex nut, then install the hex nut with set screw. Thread the cable through the bottom of the cable bracket.
3. Attach the cable bracket to the floor bracket using bolts and tighten.
4. Thread the cable through the end of the hem bar.
5. Add the spring and cable receiver to the top of cable. Load the cable receiver and spring on top of the cable top mounting bracket inside of the cassette.
6. Cut the cable to length with $\frac{1}{4}$ " of cable above the top of cable receiver and tighten the set screw on the cable receiver.
7. Tension the cable by tightening the nuts beneath the cable bracket, then tighten the set screw on the lower nut.
8. Repeat this process for the second cable.
9. Install the cassette cover.



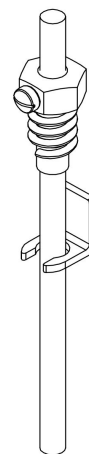
Cable and Cable
Bracket



Cable Bracket Bolted
to Floor Bracket



Cable Passing
Through Hem Bar



Cable Receiver and
Cable Top Mounting
Bracket

Adjusting Lower Limit

1. Press DOWN to send the blind to its current lower limit.
2. Press and hold UP and DOWN simultaneously until the blind jogs.
3. Adjust to the new lower limit position using UP or DOWN.
4. Press and hold MY/STOP until the blind jogs, confirming the new limit.

Setting “My” Position

1. Press UP or DOWN to send the blind to the desired “My” position.
2. Once it is reached, briefly press MY/STOP to stop the blind.
3. Press and hold MY/STOP until the blind jogs, confirming the position has been saved.

