

ShadeRight Fixed Canopy Installation Guide

Read this guide and review shop drawings and notes before beginning installation.

All packages should be opened and inspected for hidden damage upon receipt. Any missing or damaged components should be noted on the delivery receipt with the carrier before accepting the shipment. All items should be repackaged and stored where protected from moisture, dirt, and excessive heat. Do not store panels in direct sunlight with the protective film applied. Do not wrap material so that heat or moisture can become trapped. Ensure that items are level, fully supported, and have airflow between parts. Damage from improper storage is not considered shipping damage and is not covered by product warranties. Handle materials so as to protect materials, coatings, fabric and finishes during transportation and installation to prevent damage or staining.

It is the responsibility of the installer to meet or exceed all code and safety requirements, and to obtain all required building permits. These instructions are only a guide, and may not address every circumstance. The installer should determine and implement appropriate installation techniques for each situation. Structureworks shall not be held liable for improper or unsafe installations.

Recommended Tools

- Pencil
- 8' Ladder (2)
- Tape Measure
- Chalk Line
- Drill/Impact Driver w/ Square Bit

Sloping for Drainage

A minimum slope of $\frac{1}{8}$ " per foot of canopy projection is required for proper water runoff. It is the responsibility of the installer to ensure that the proper amount of slope is provided.

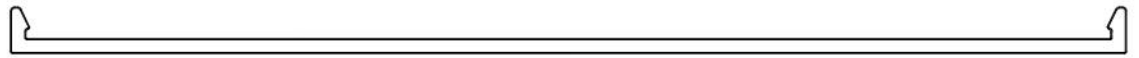
Maintenance

Spray the canopy panels with water using a low pressure hose to remove loose dirt. Next, prepare a solution of solvent free soap in warm water and apply it to the canopy panels evenly. Then, scrub the canopy panels with a soft brush removing any surface marks. Finally, rinse with water and let air dry. Rinsing the canopy panels once a month with a low pressure hose is the most effective way to reduce dirt accumulation.

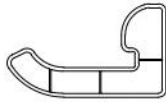
For more aggressive cleaning substitute the soap solution for a solution of 70% water, 20% solvent-free soap, and 10% bleach.

Components

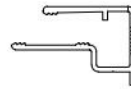
Canopy Panel



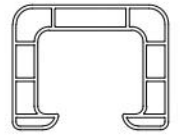
Starter Panel



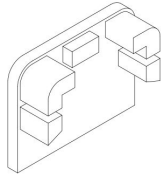
Panel Cover



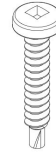
Batten



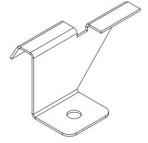
Batten End Cap



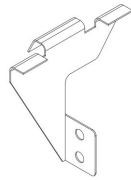
#8 x 1" 410 SS
Square Drive
Pan Head Tek
Screw



Mounting Clip
Surface



Mounting Clip
Vertical



Canopy Panel Orientation

Canopy panels are sealed on each end with tape. The end of the panel with solid tape will be on the high side of the slope, the end with venting tape will be on the low side of the slope.

Solid Tape

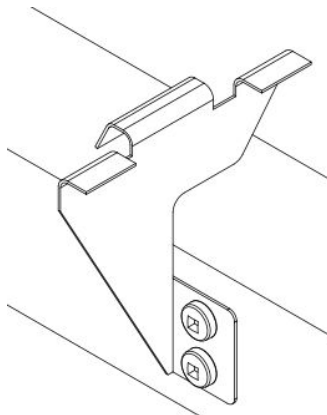


Venting Tape

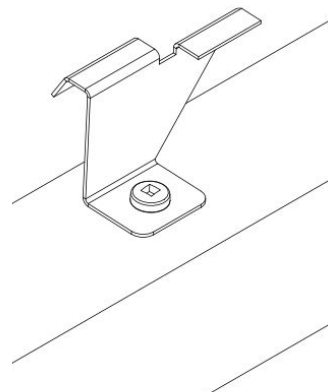


Mounting Clip Attachment

Side Mount



Surface Mount



Canopy Panel Installation

Start panel installation at the center of the structure. For canopies with an odd number of panels there will be one panel at the center of the structure. For canopies with an even number of panels there will be a seam between two panels at the center of the structure.

Install mounting clips approximately 6" in from each end of the canopy panel and every 16" - 24" along the length of the canopy panels.

Starting with an Odd Number of Canopy Panels

Mark a line down the center of the structure. Next, along the width of a canopy panel mark the center at both ends. Align the marks on the canopy panel with the centerline on the structure. Secure the canopy panel to the structure with mounting clips and screws down both sides of the canopy panel.

Ensure that the canopy panel center marks are aligned with the structure centerline before proceeding with the installation of the next canopy panel.

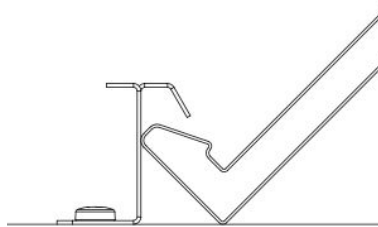
Starting with an Even Number of Canopy Panels

Mark a line down the center of the structure. Next, place a canopy panel on top of the structure with the edge of the canopy panel aligned with the centerline of the structure. Secure the panel to the structure with mounting clips and screws down both sides of the panel.

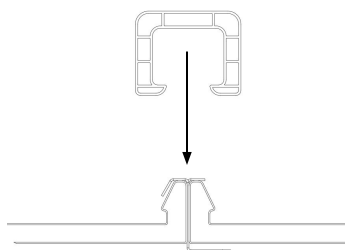
Ensure that the canopy panel edge is aligned with the structure centerline before proceeding with the installation of the next canopy panel.

Continuing with Canopy Panel Installation

Canopy panels installed on the angled side of a mounting clip must be lifted on the opposite side of the mounting clip in order to insert the canopy panel under the mounting clip.



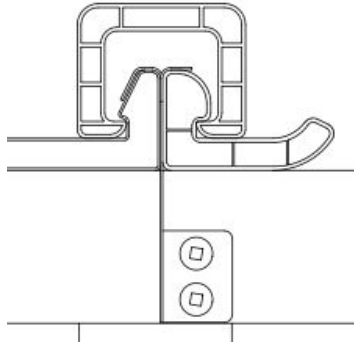
As each canopy panel is installed, place a batten over the seam and snap it into place.



Repeat the process of placing a canopy panel, snapping a batten into place, and installing mounting clips along the length of the canopy panel until all canopy panels are installed.

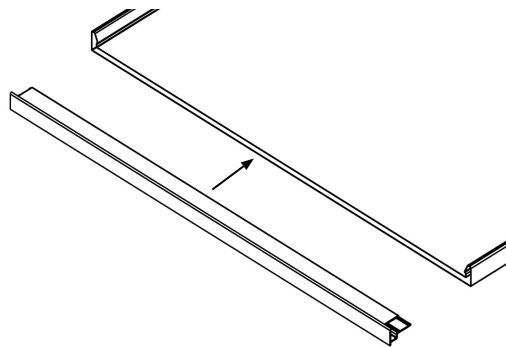
Install Starter Panels

Once all canopy panels have been installed, place a starter panel on each of the outside panels and secure with battens.



Install Panel Covers

Slide the panel covers onto the ends of all canopy panels.



Install Batten End Caps

Slide the batten end caps into the ends of each batten.

