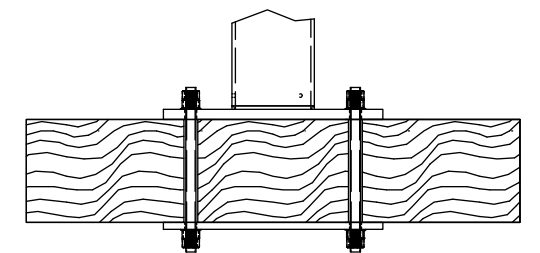
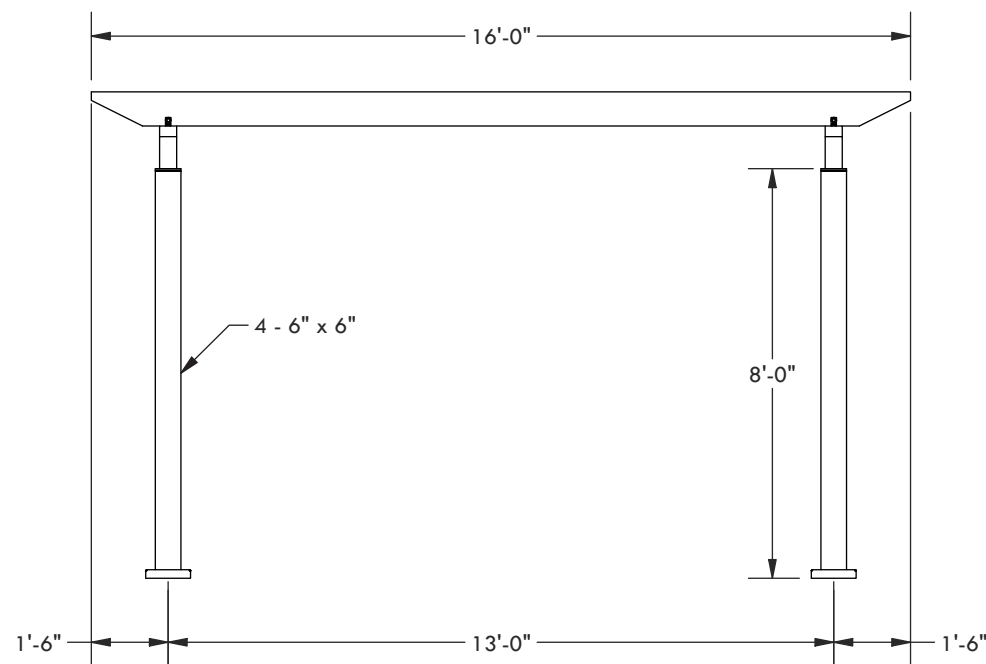
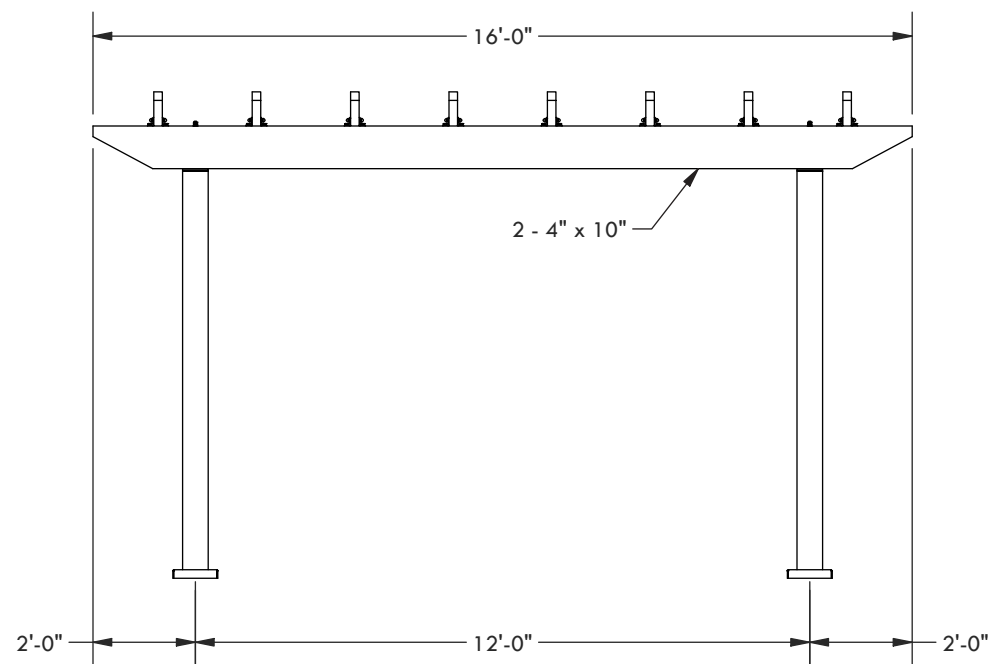


CONCRETE MOUNT



FRAMING MOUNT



DESCRIPTION			
16' WIDE X 16' PROJECTION FREESTANDING RETREAT			
REV	BY	DESCRIPTION	DATE
	NB	INITIAL RELEASE	04/13/22
STRUCTUREWORKS™			
www.structureworks.com 877.489.8064			

© 2022 Structureworks