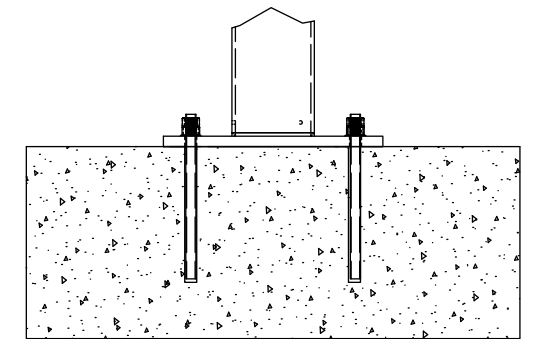
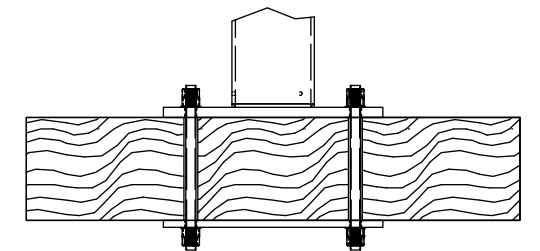


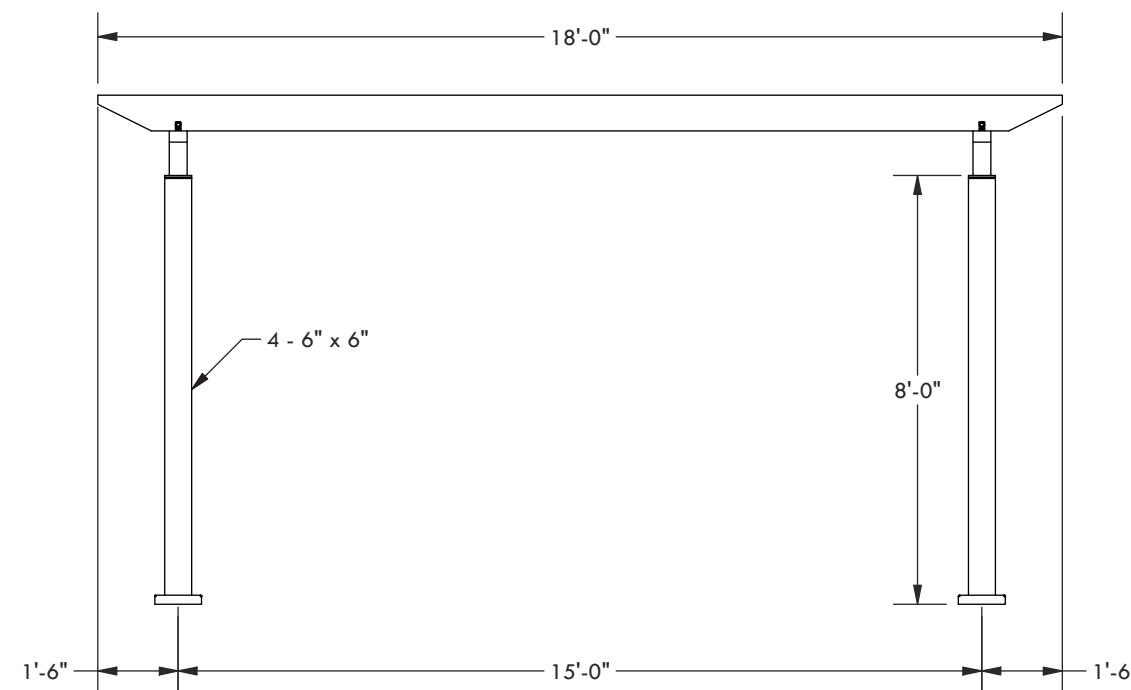
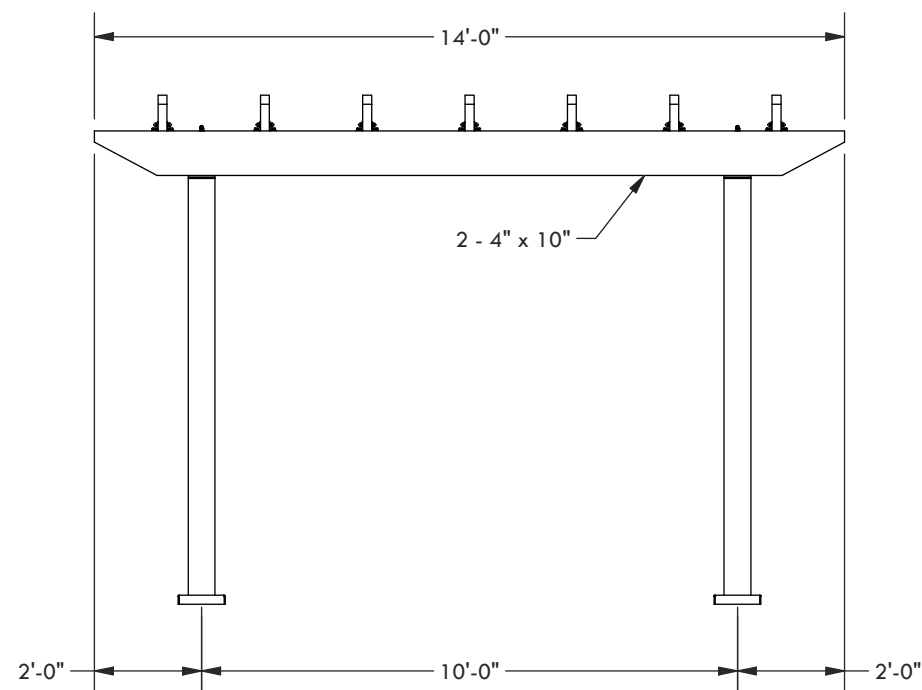
- NO PANELS
- PANEL T01 - 18% OPEN
- PANEL T02 - 24% OPEN
- PANEL T03 - 36% OPEN
- PANEL T04 - 50% OPEN
- PANEL T05 - 41% OPEN
- PANEL T06 - 12% OPEN
- PANEL T07 - 46% OPEN
- PANEL T08 - 20% OPEN
- PANEL T09 - 52% OPEN
- PANEL T10 - 37% OPEN
- PANEL T11 - 31% OPEN
- PANEL T12 - 29% OPEN
- PANEL T13 - 29% OPEN



CONCRETE MOUNT



FRAMING MOUNT



DESCRIPTION			
14' WIDE X 18' PROJECTION FREESTANDING RETREAT			
REV	BY	DESCRIPTION	DATE
	NB	INITIAL RELEASE	04/13/22

© 2022 Structureworks

STRUCTUREWORKS™

www.structureworks.com 877.489.8064