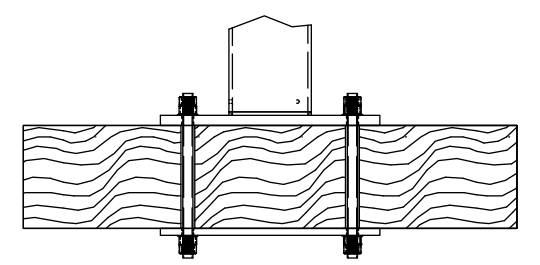
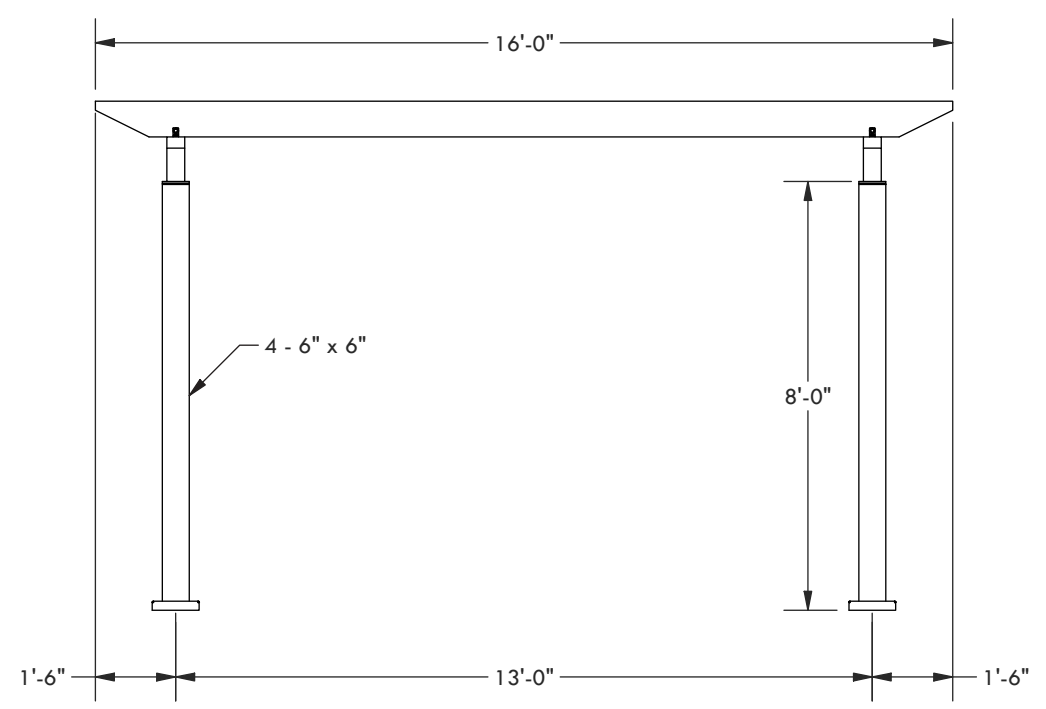
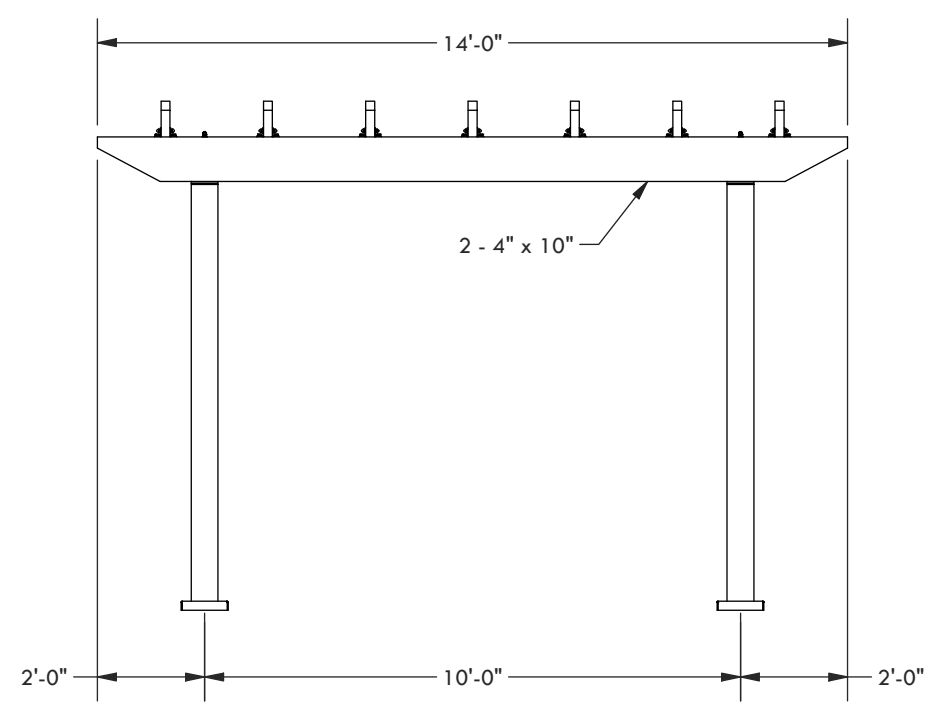


CONCRETE MOUNT



FRAMING MOUNT



DESCRIPTION			
14' WIDE X 16' PROJECTION FREESTANDING RETREAT			
REV	BY	DESCRIPTION	DATE
	NB	INITIAL RELEASE	04/13/22

© 2022 Structureworks