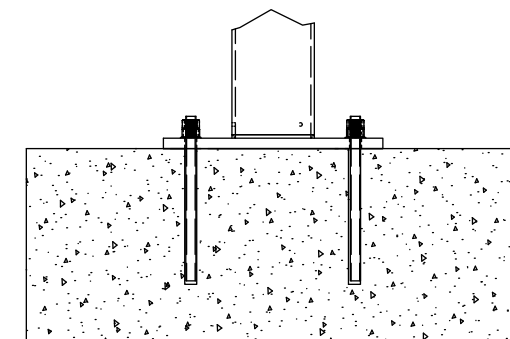
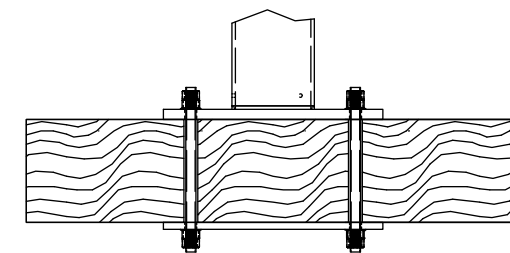


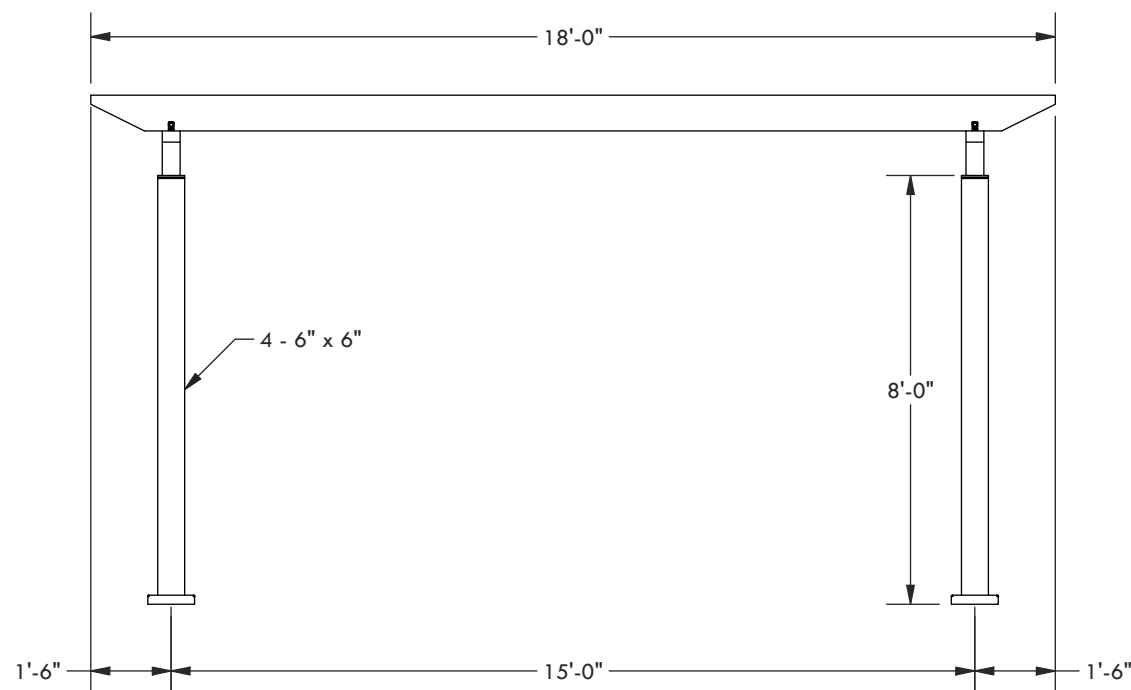
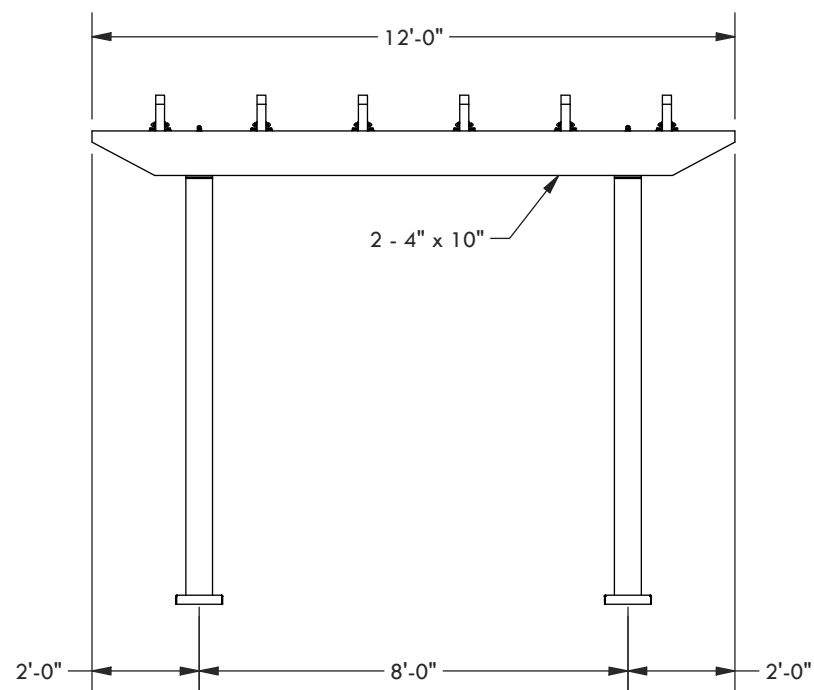
- SPECIFY PANEL:
- NO PANELS
 - PANEL T01 - 18% OPEN
 - PANEL T02 - 24% OPEN
 - PANEL T03 - 36% OPEN
 - PANEL T04 - 50% OPEN
 - PANEL T05 - 41% OPEN
 - PANEL T06 - 12% OPEN
 - PANEL T07 - 46% OPEN
 - PANEL T08 - 20% OPEN
 - PANEL T09 - 52% OPEN
 - PANEL T10 - 37% OPEN
 - PANEL T11 - 31% OPEN
 - PANEL T12 - 29% OPEN
 - PANEL T13 - 29% OPEN



CONCRETE MOUNT



FRAMING MOUNT



DESCRIPTION			
12' WIDE X 18' PROJECTION FREESTANDING RETREAT			
REV	BY	DESCRIPTION	DATE
	NB	INITIAL RELEASE	04/13/22

© 2022 Structureworks

STRUCTUREWORKS™

www.structureworks.com 877.489.8064