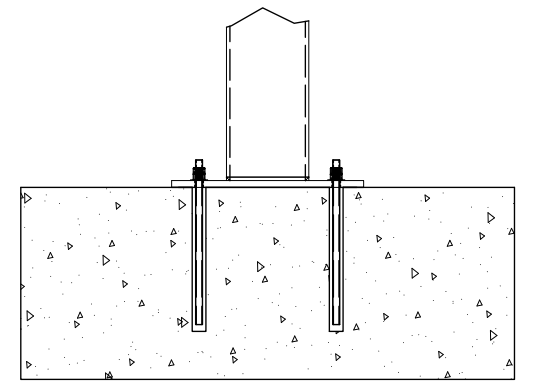
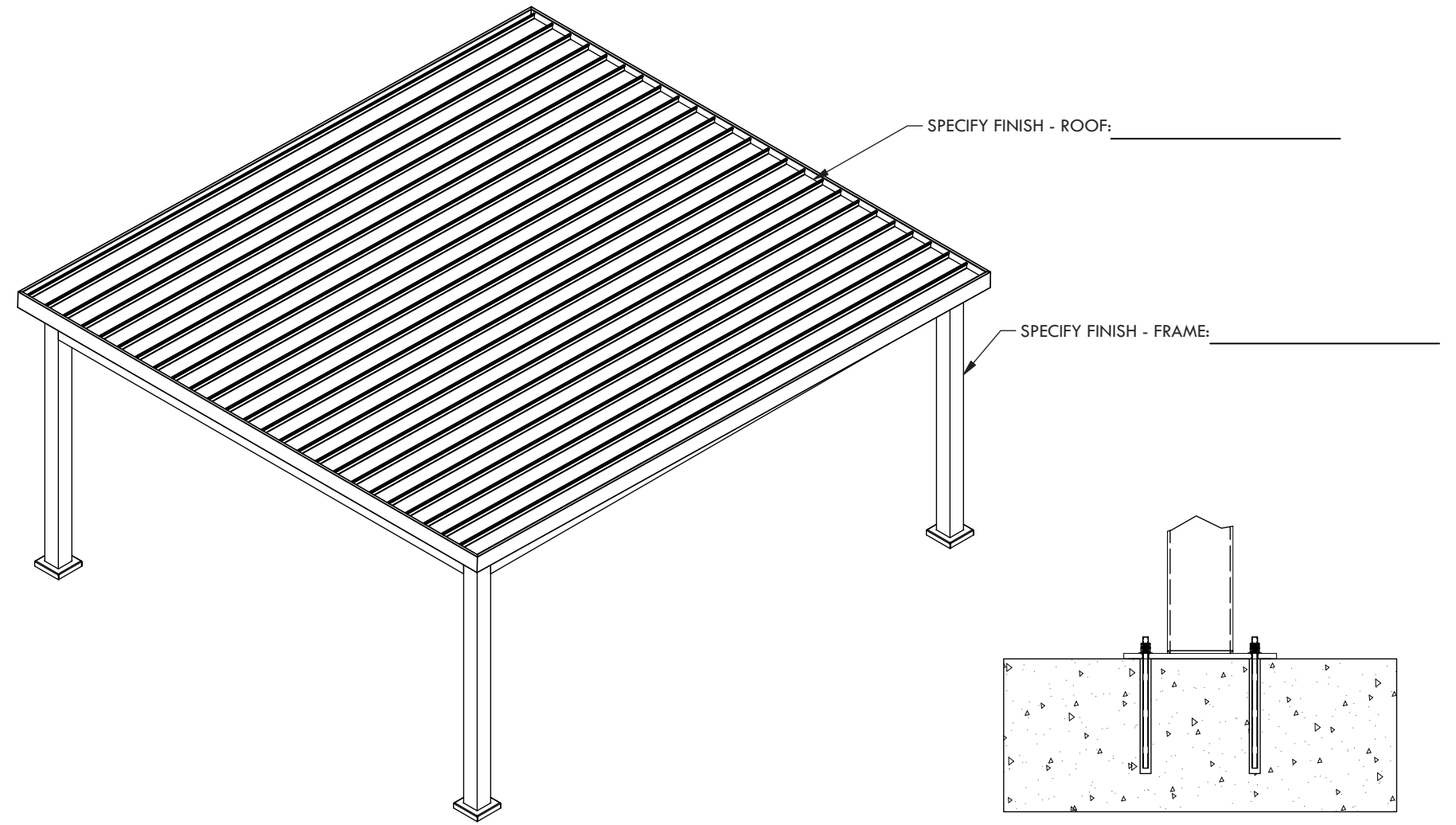
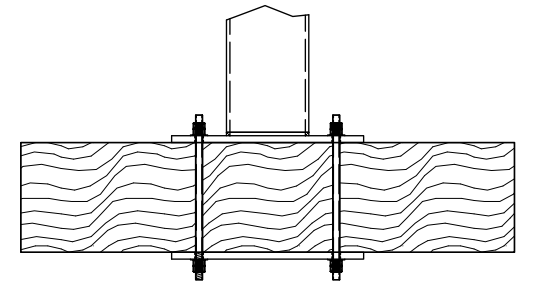


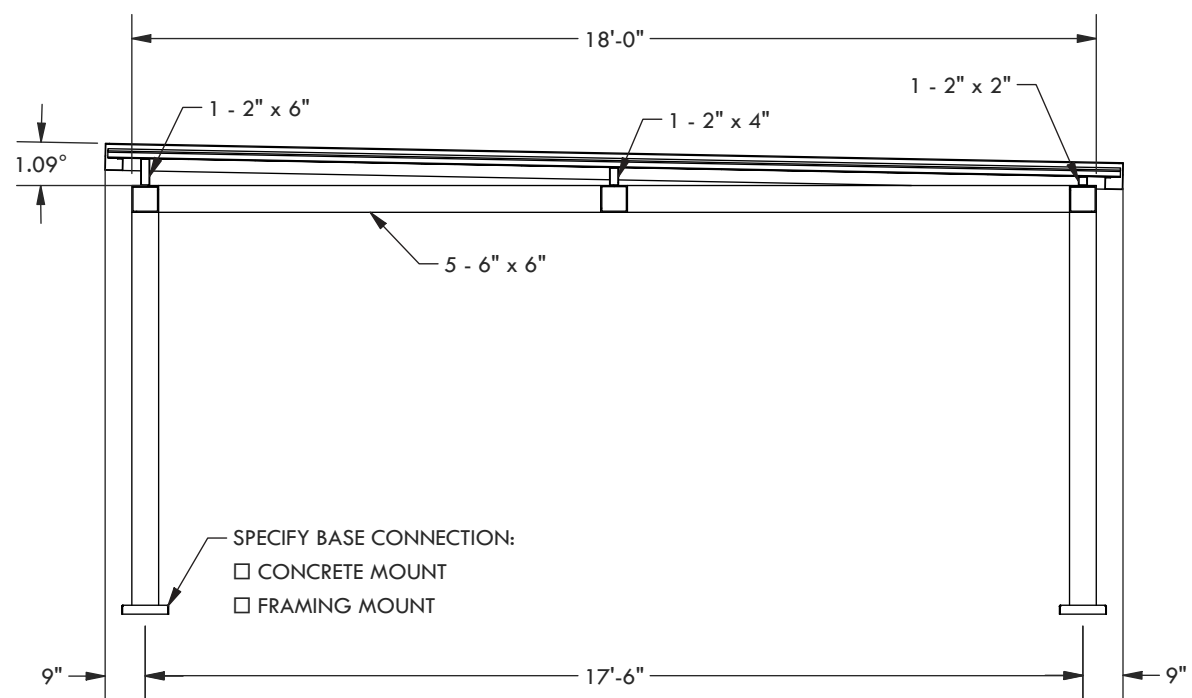
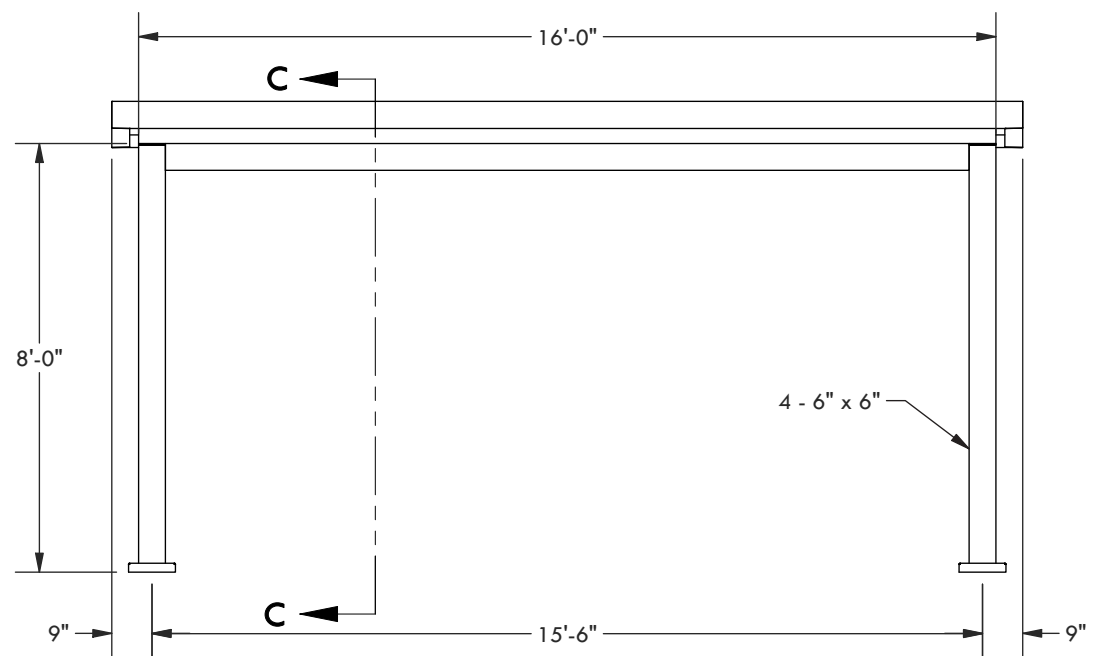
ALUMINUM ROOF PANEL



CONCRETE MOUNT



FRAMING MOUNT



SECTION C-C

SPECIFY BASE CONNECTION:  
 CONCRETE MOUNT  
 FRAMING MOUNT

DESCRIPTION			
<b>16' WIDE x 18' PROJECTION FREESTANDING PAVILION</b>			
REV	BY	DESCRIPTION	DATE
1	NB	INITIAL RELEASE	03/23/21

**STRUCTUREWORKS™**  
 www.structureworks.com 877.489.8064

© 2021 Structureworks