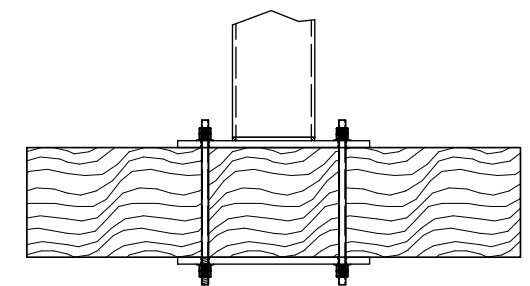
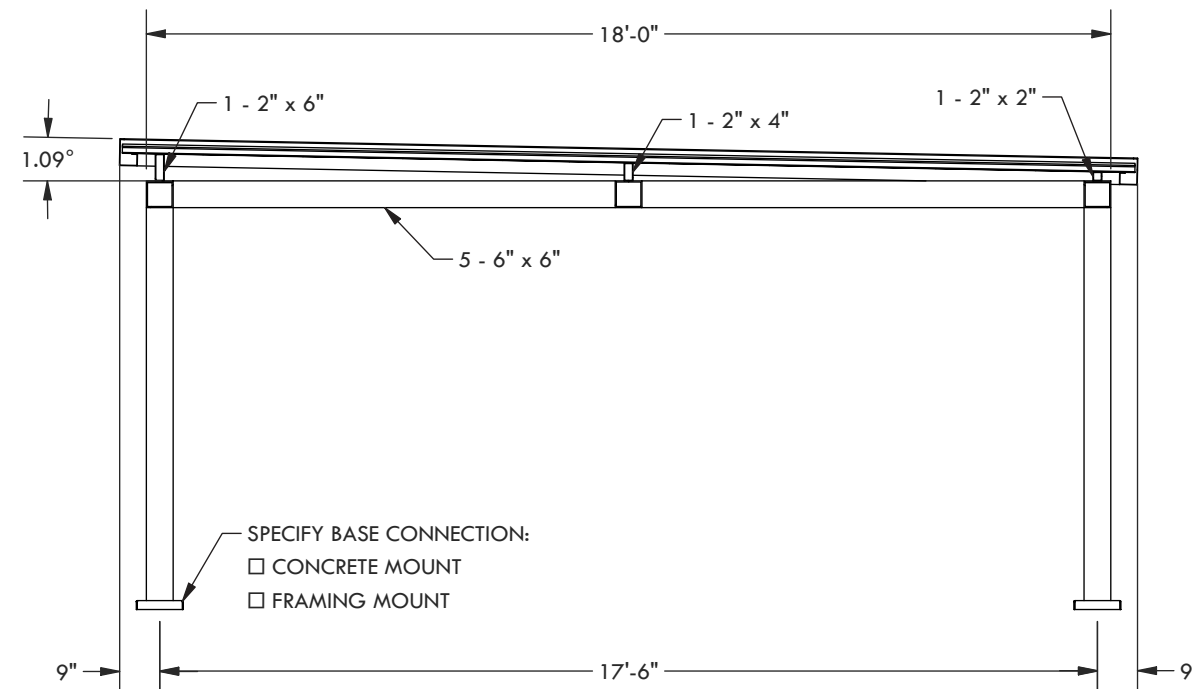
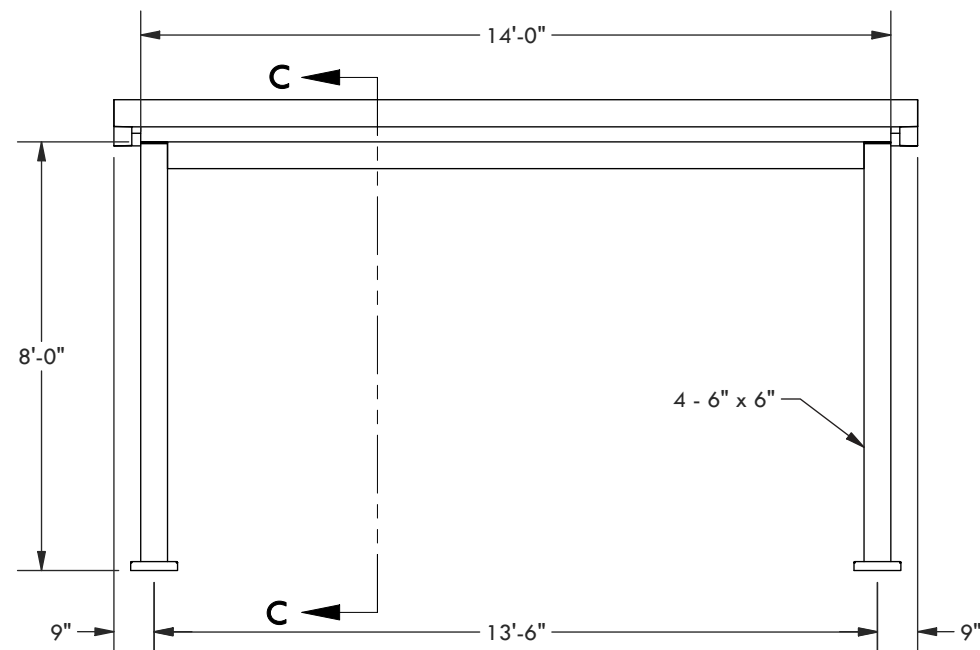


CONCRETE MOUNT



FRAMING MOUNT



SPECIFY BASE CONNECTION:
 CONCRETE MOUNT
 FRAMING MOUNT

SECTION C-C

DESCRIPTION			
14' WIDE x 18' PROJECTION FREESTANDING PAVILION			
REV	BY	DESCRIPTION	DATE
1	NB	INITIAL RELEASE	03/23/21

© 2021 Structureworks

STRUCTUREWORKS™

www.structureworks.com 877.489.8064