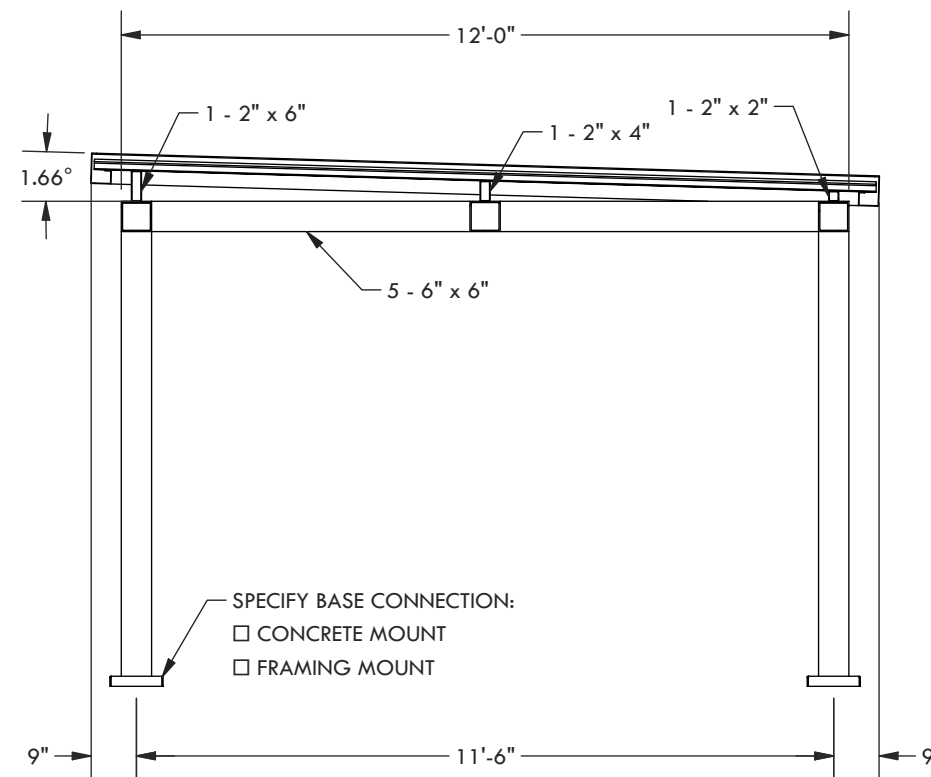
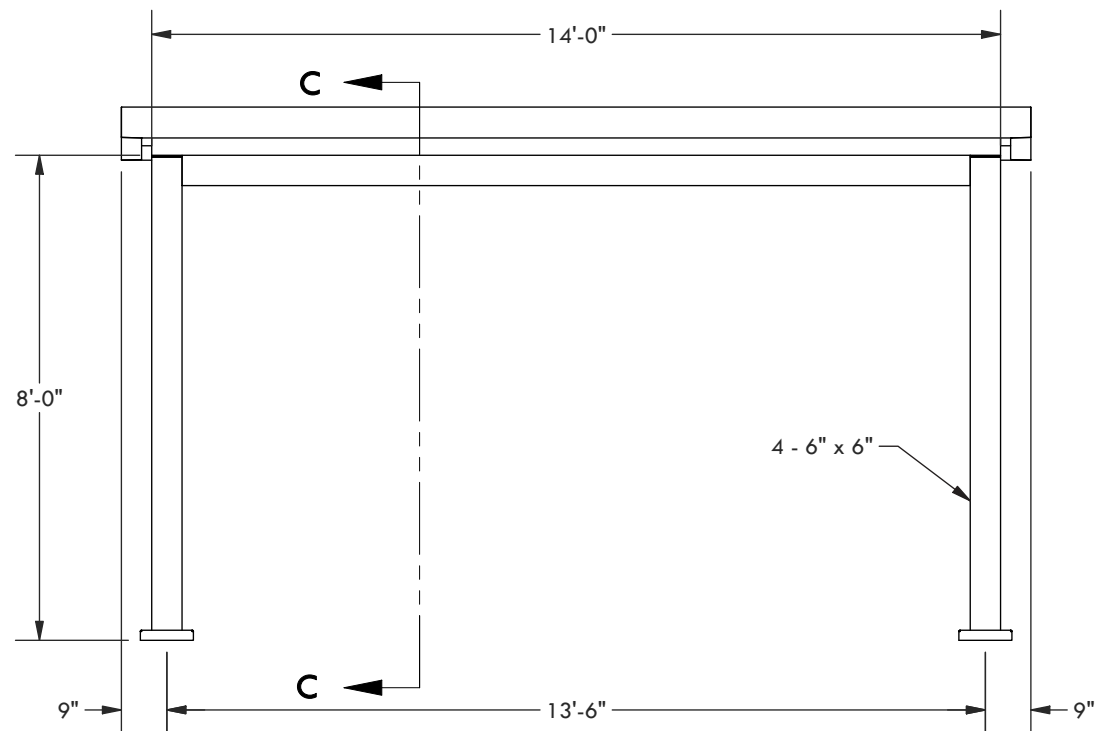
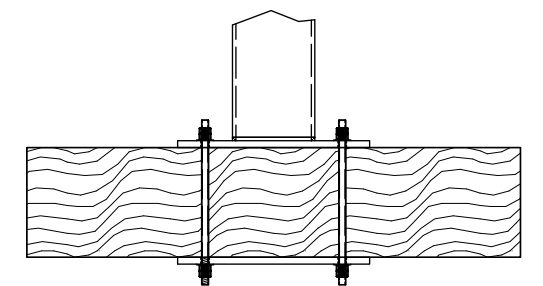


CONCRETE MOUNT



SECTION C-C



FRAMING MOUNT

DESCRIPTION			
<b>14' WIDE x 12' PROJECTION FREESTANDING PAVILION</b>			
REV	BY	DESCRIPTION	DATE
1	NB	INITIAL RELEASE	03/23/21

© 2021 Structureworks

**STRUCTUREWORKS™**

www.structureworks.com 877.489.8064