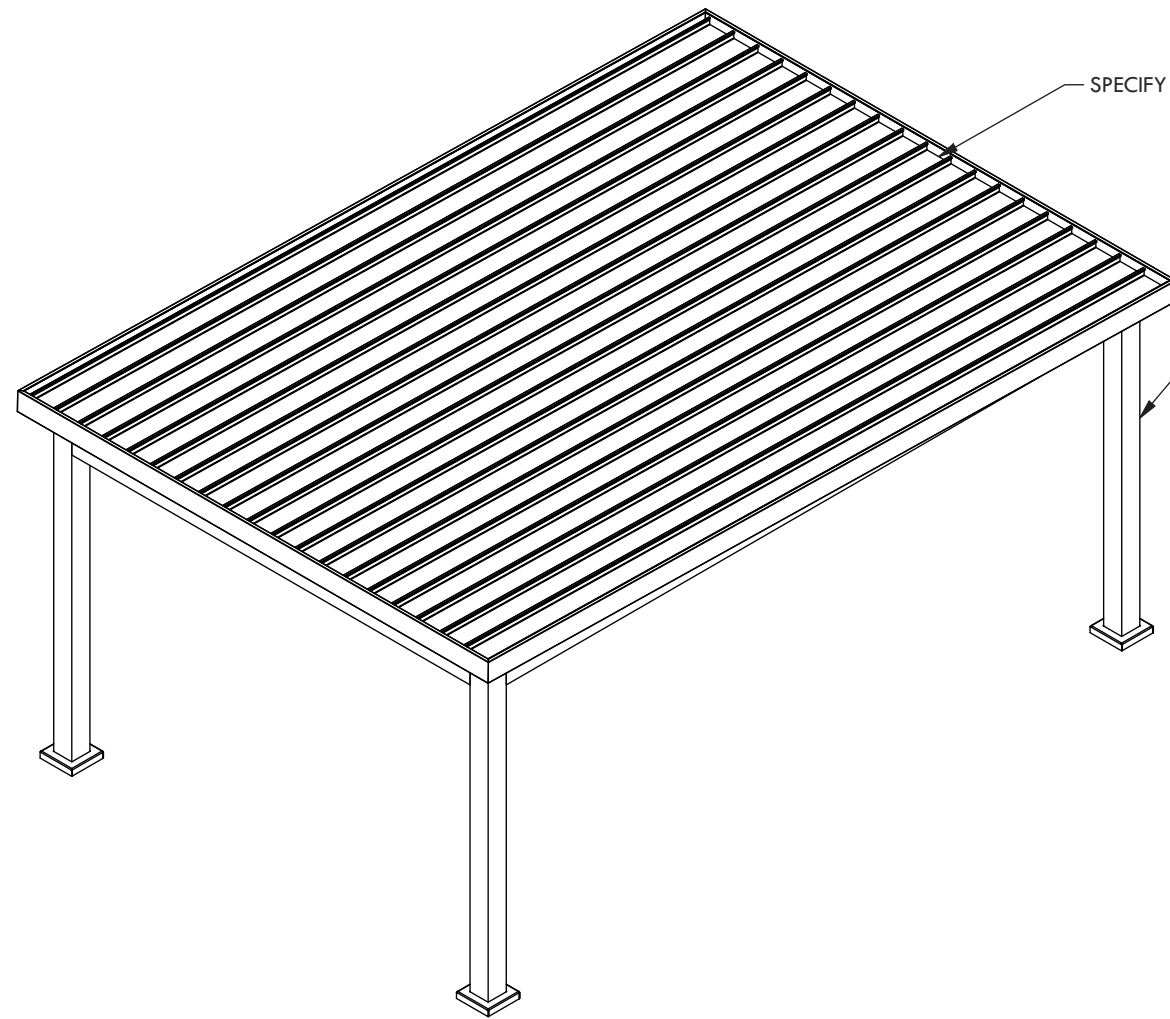
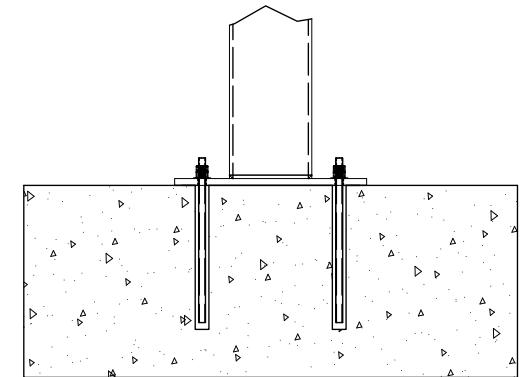


ALUMINUM ROOF PANEL

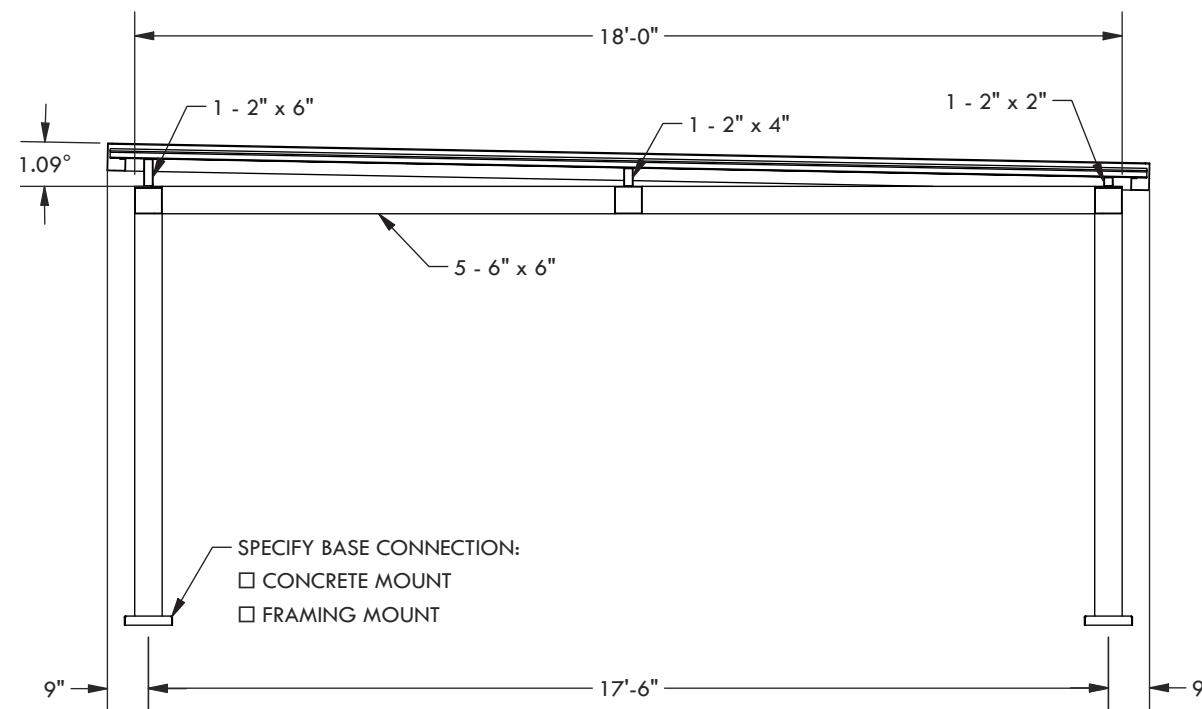
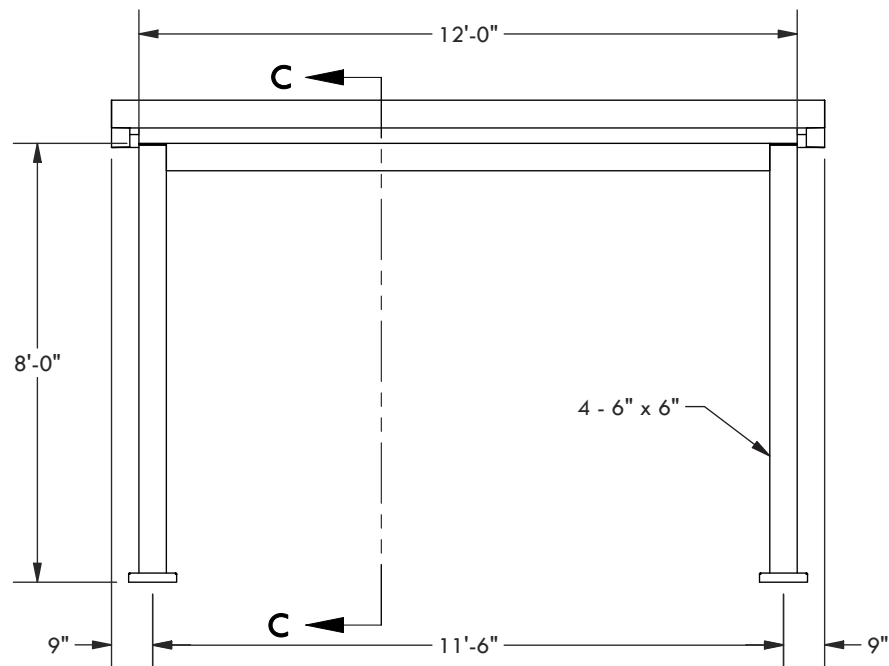


SPECIFY FINISH - ROOF: _____

SPECIFY FINISH - FRAME: _____



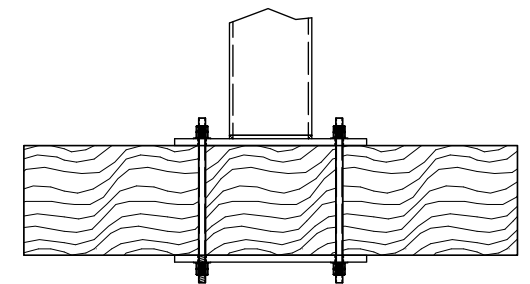
CONCRETE MOUNT



SPECIFY BASE CONNECTION:

- CONCRETE MOUNT
- FRAMING MOUNT

SECTION C-C



FRAMING MOUNT

DESCRIPTION			
12' WIDE x 18' PROJECTION FREESTANDING PAVILION			
REV	BY	DESCRIPTION	DATE
1	NB	INITIAL RELEASE	03/23/21

© 2021 Structureworks

STRUCTUREWORKS™

www.structureworks.com 877.489.8064