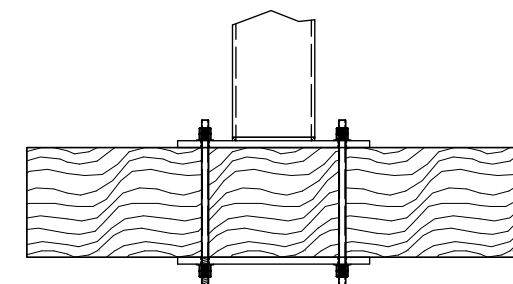
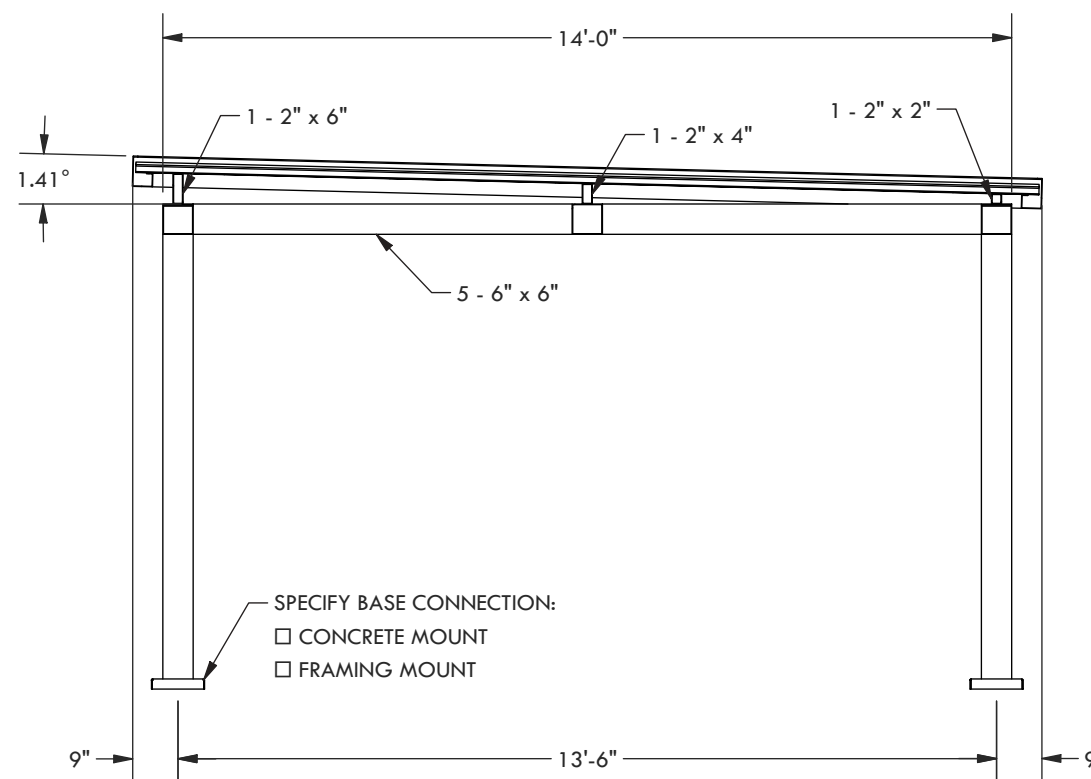
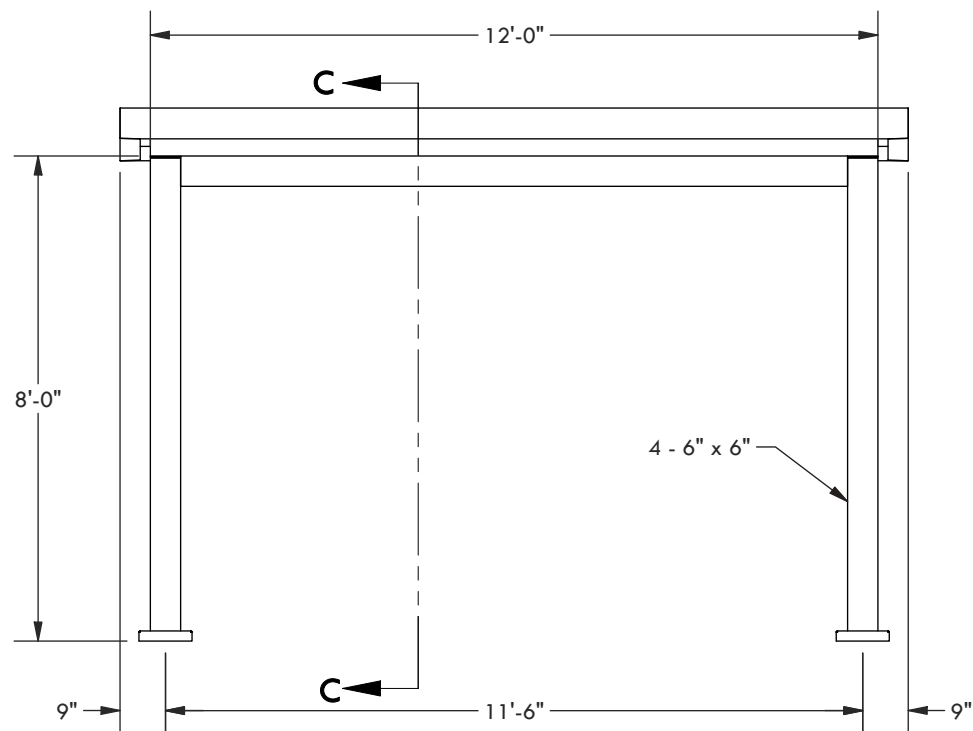


CONCRETE MOUNT



FRAMING MOUNT



SECTION C-C

SPECIFY BASE CONNECTION:  
 CONCRETE MOUNT  
 FRAMING MOUNT

DESCRIPTION			
<b>12' WIDE x 14' PROJECTION FREESTANDING PAVILION</b>			
REV	BY	DESCRIPTION	DATE
1	NB	INITIAL RELEASE	03/23/21

© 2021 Structureworks

**STRUCTUREWORKS™**  
 www.structureworks.com 877.489.8064