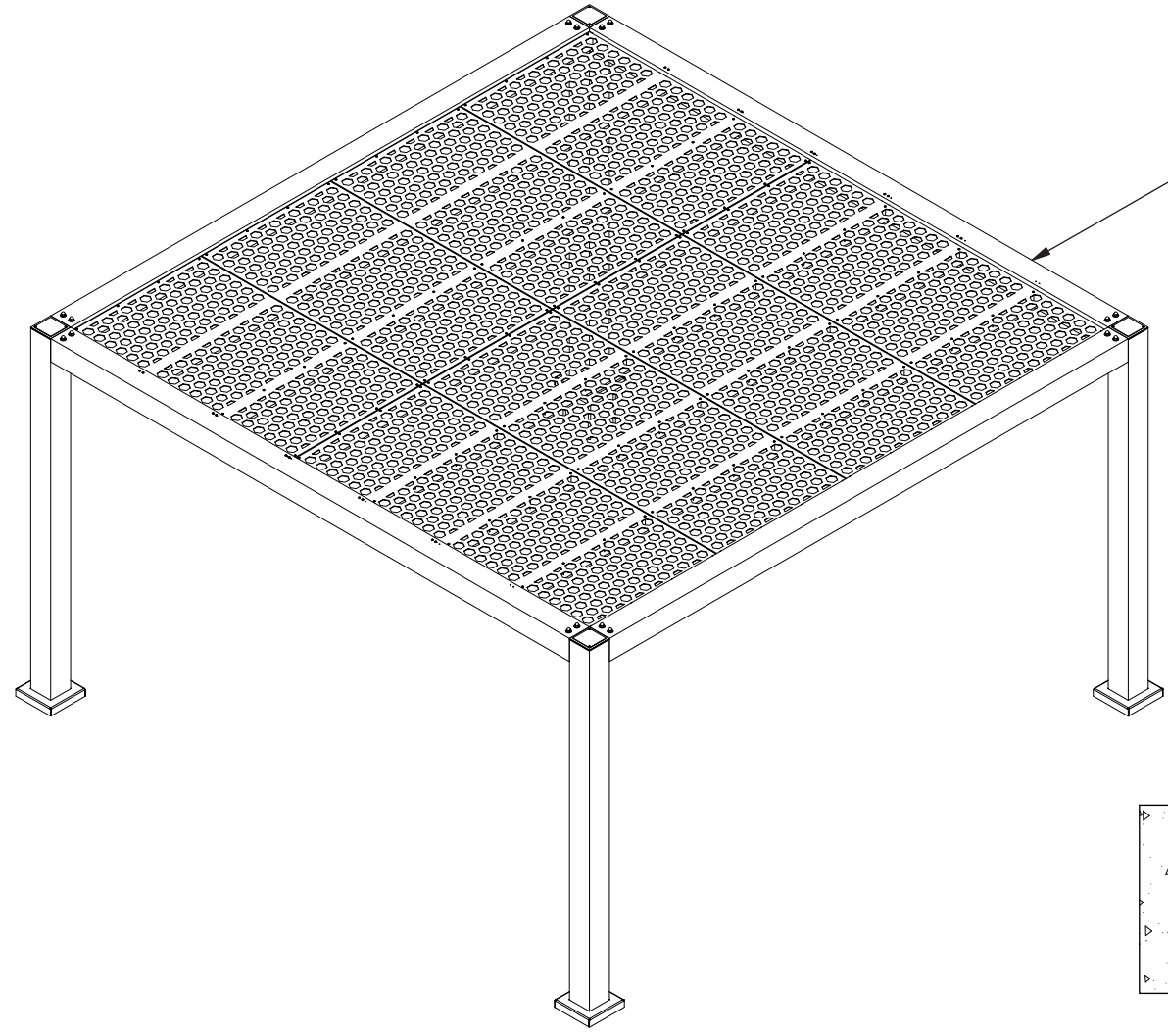
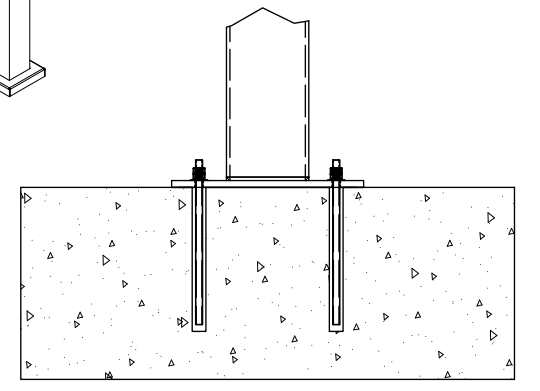


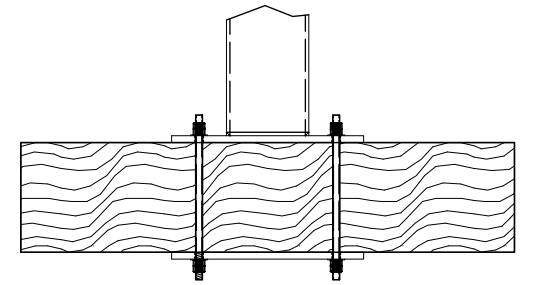
- SPECIFY PATTERN:
- T01 - 18% OPEN
 - T02 - 24% OPEN
 - T03 - 36% OPEN
 - T04 - 50% OPEN
 - T05 - 41% OPEN
 - T06 - 12% OPEN
 - T07 - 46% OPEN
 - T08 - 20% OPEN
 - T09 - 52% OPEN
 - T10 - 37% OPEN
 - T11 - 31% OPEN
 - T12 - 29% OPEN
 - T13 - 29% OPEN



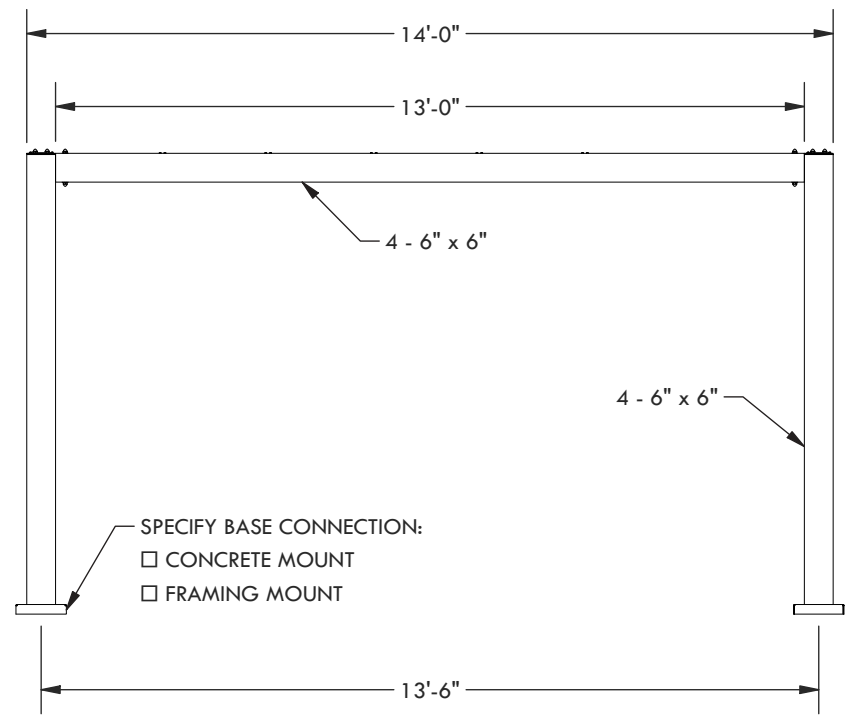
SPECIFY FINISH: _____



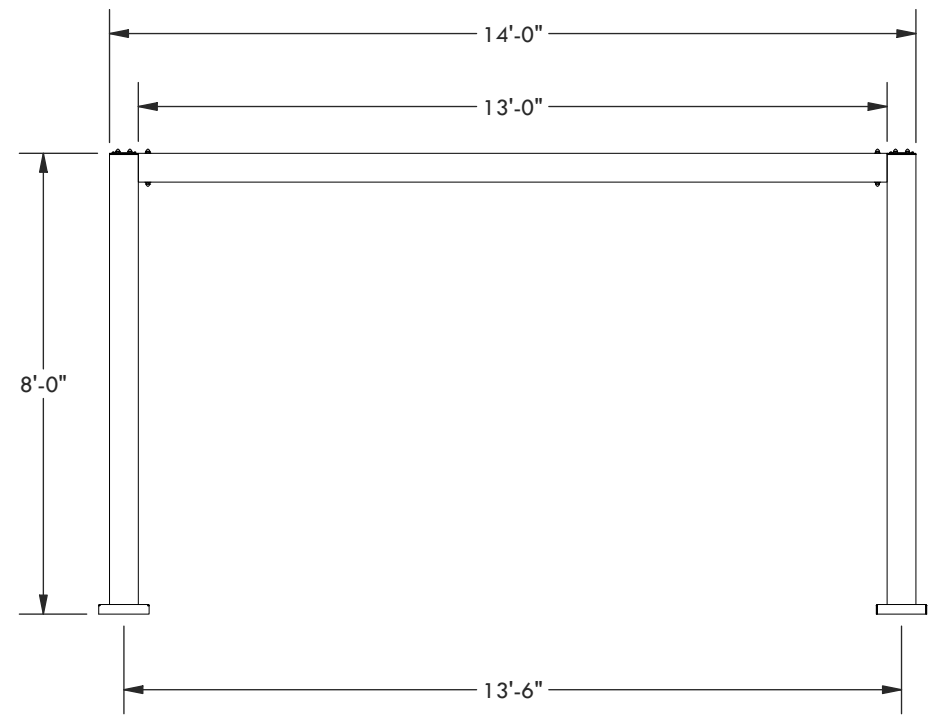
CONCRETE MOUNT



FRAMING MOUNT



- SPECIFY BASE CONNECTION:
- CONCRETE MOUNT
 - FRAMING MOUNT



DESCRIPTION			
14' WIDE X 14' PROJECTION FREESTANDING SHADOW			
REV	BY	DESCRIPTION	DATE
1	NB	INITIAL RELEASE	03/23/21

Trex® Pergola™
www.trexpergola.com 888.908.4965

© 2021 Structureworks