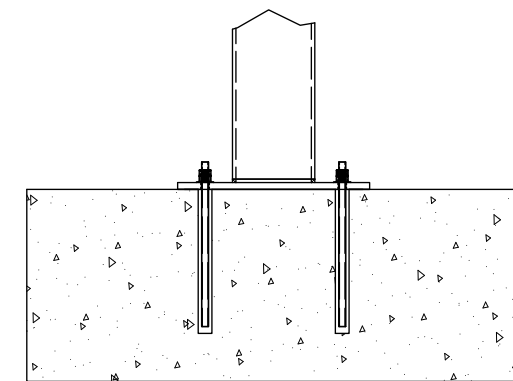
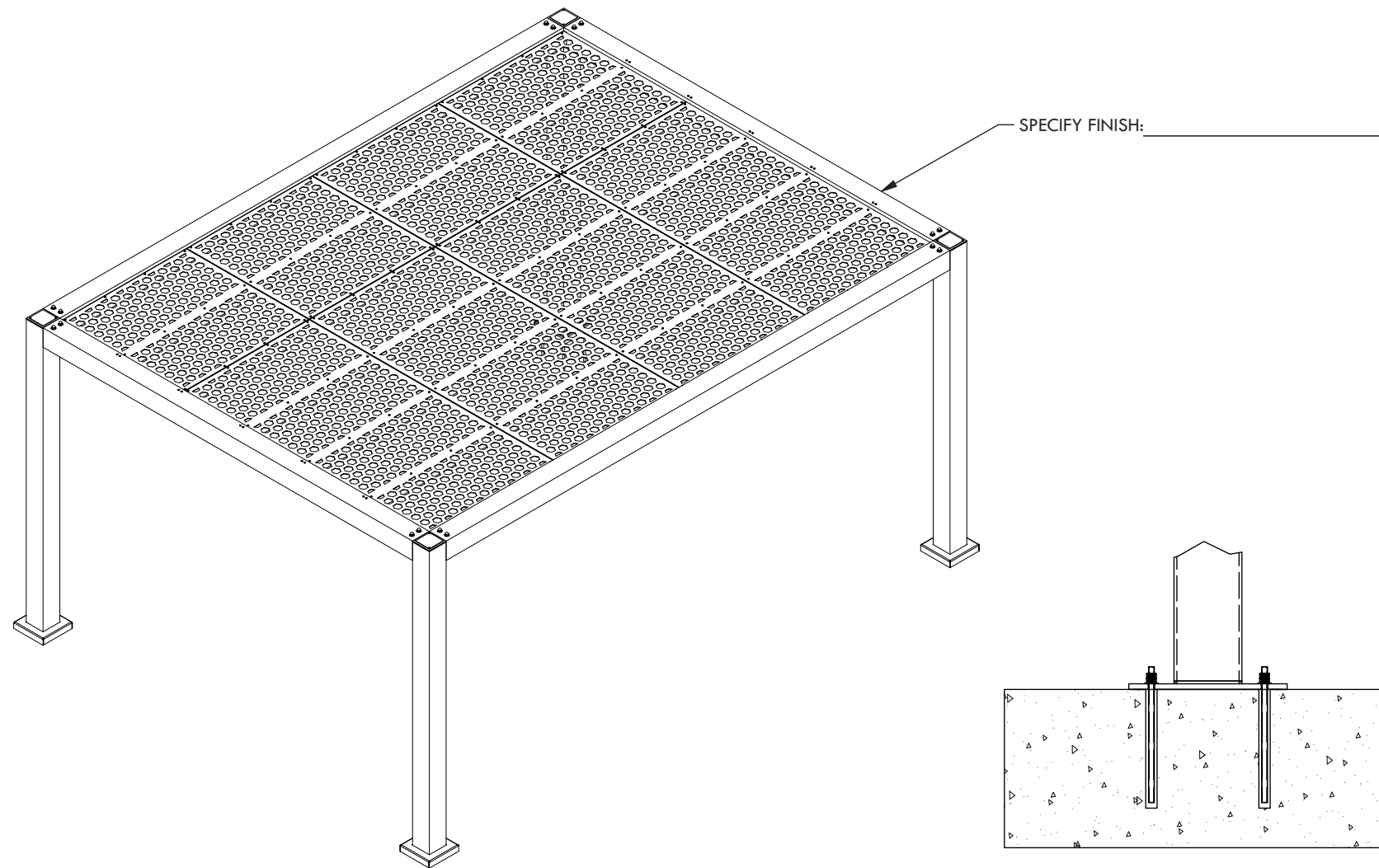
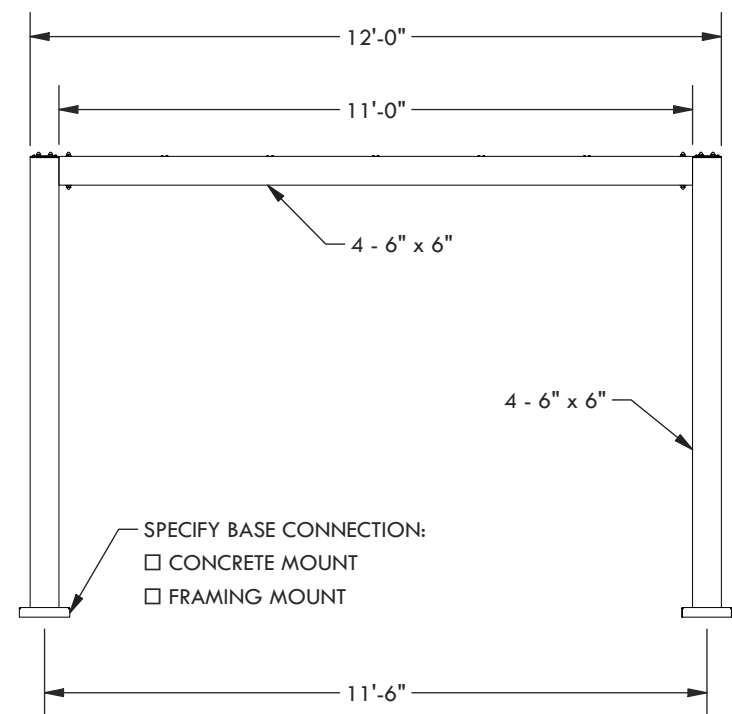


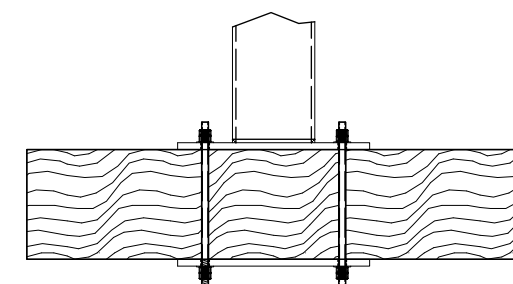
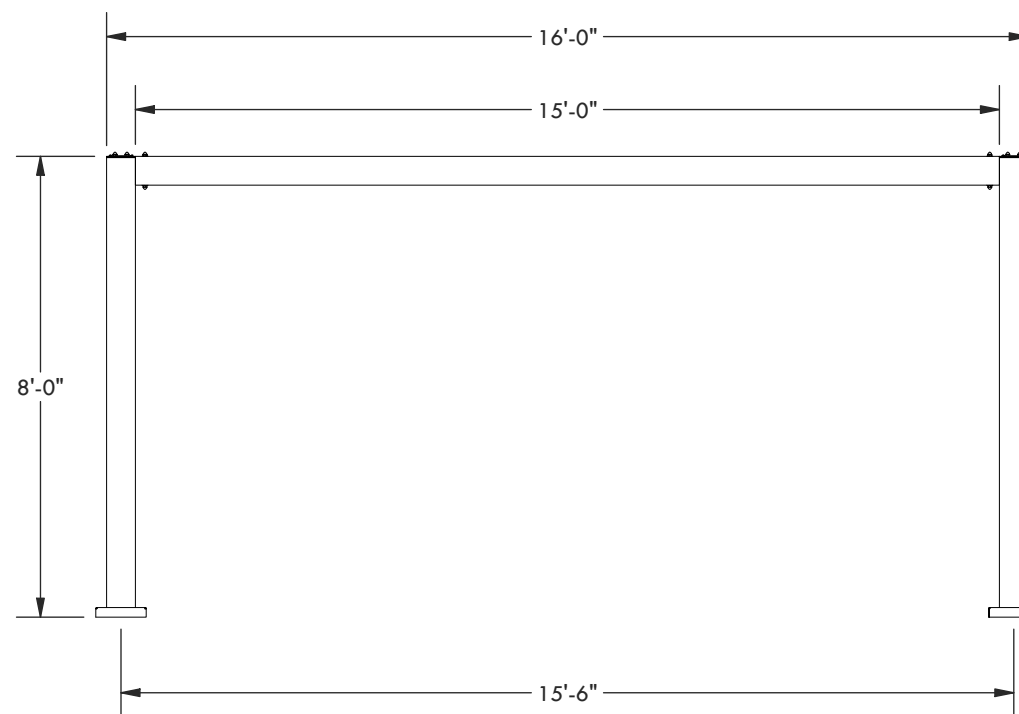
- SPECIFY PATTERN:
- T01 - 18% OPEN
  - T02 - 24% OPEN
  - T03 - 36% OPEN
  - T04 - 50% OPEN
  - T05 - 41% OPEN
  - T06 - 12% OPEN
  - T07 - 46% OPEN
  - T08 - 20% OPEN
  - T09 - 52% OPEN
  - T10 - 37% OPEN
  - T11 - 31% OPEN
  - T12 - 29% OPEN
  - T13 - 29% OPEN



CONCRETE MOUNT



- SPECIFY BASE CONNECTION:
- CONCRETE MOUNT
  - FRAMING MOUNT



FRAMING MOUNT

DESCRIPTION			
<b>12' WIDE X 16' PROJECTION FREESTANDING SHADOW</b>			
REV	BY	DESCRIPTION	DATE
1	NB	INITIAL RELEASE	03/23/21

© 2021 Structureworks

**Trex® Pergola™**  
www.trexpergola.com 888.908.4965