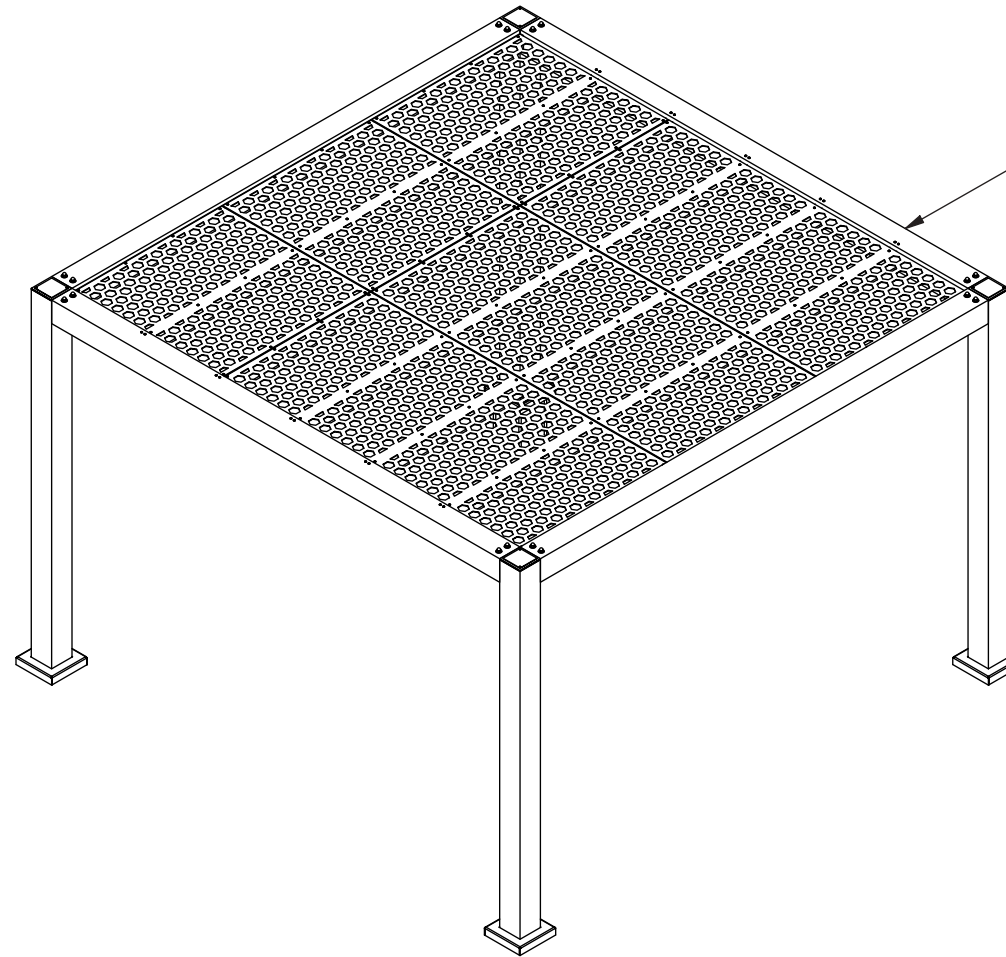
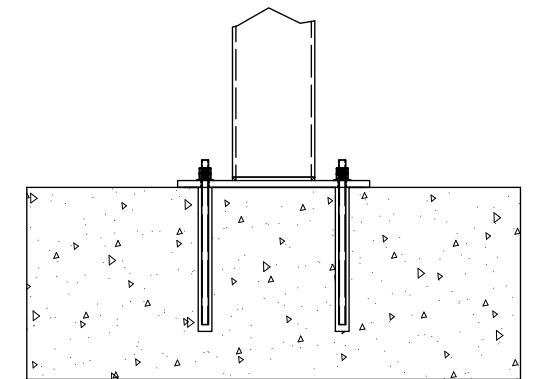


SPECIFY PATTERN:

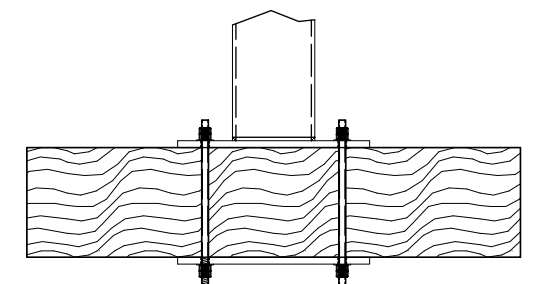
- T01 - 18% OPEN
- T02 - 24% OPEN
- T03 - 36% OPEN
- T04 - 50% OPEN
- T05 - 41% OPEN
- T06 - 12% OPEN
- T07 - 46% OPEN
- T08 - 20% OPEN
- T09 - 52% OPEN
- T10 - 37% OPEN
- T11 - 31% OPEN
- T12 - 29% OPEN
- T13 - 29% OPEN



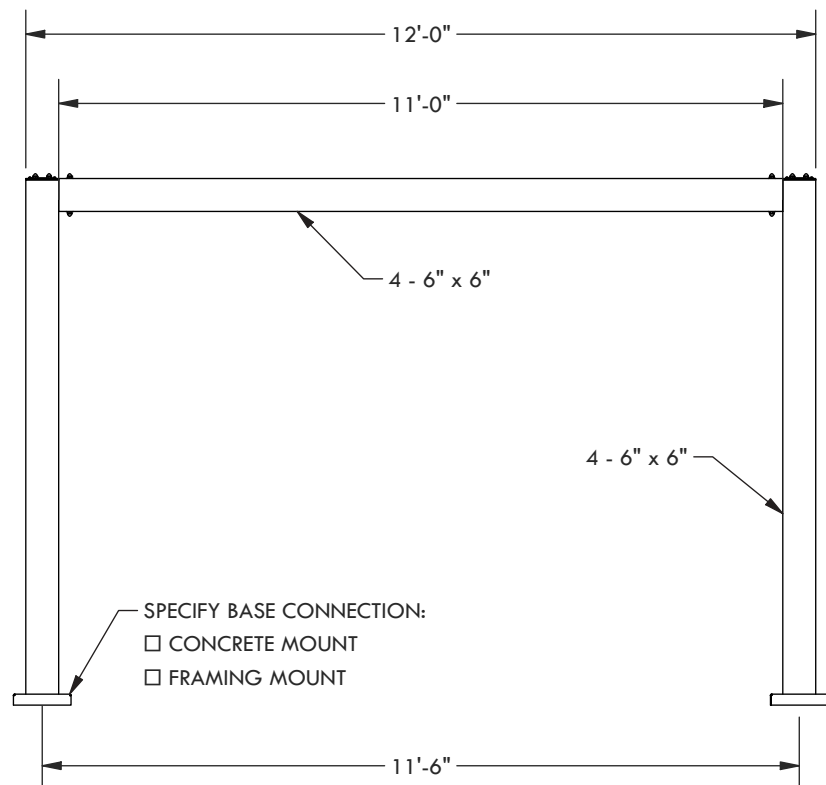
SPECIFY FINISH: _____



CONCRETE MOUNT

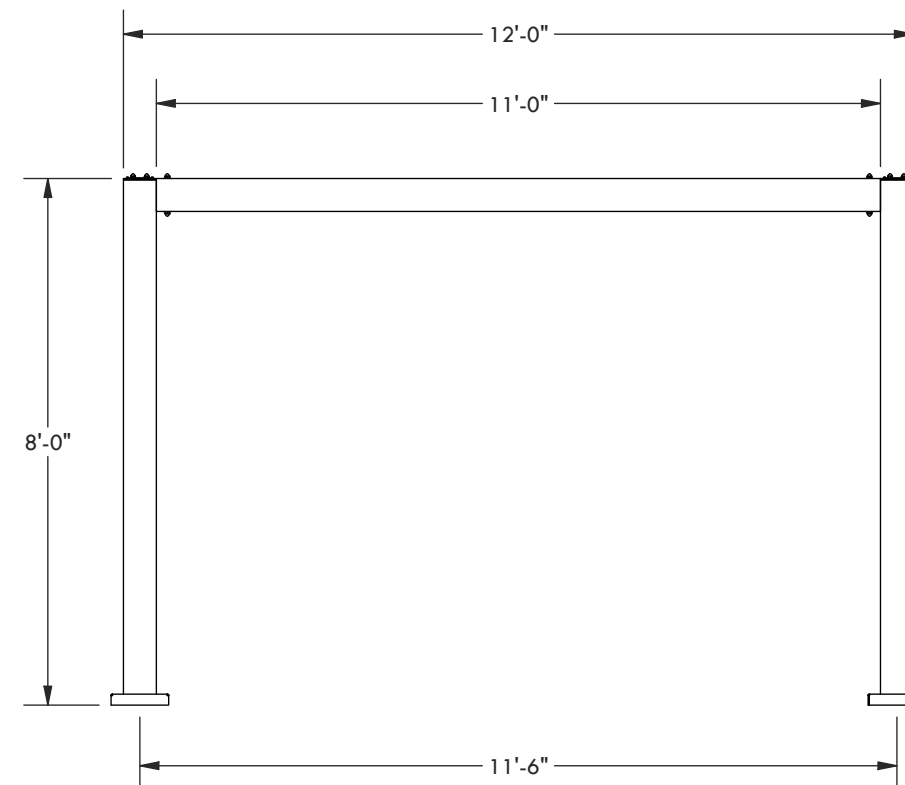


FRAMING MOUNT



SPECIFY BASE CONNECTION:

- CONCRETE MOUNT
- FRAMING MOUNT



DESCRIPTION			
12' WIDE X 12' PROJECTION FREESTANDING SHADOW			
REV	BY	DESCRIPTION	DATE
1	NB	INITIAL RELEASE	03/23/21

Trex® Pergola™

www.trexpergola.com 888.908.4965

© 2021 Structureworks