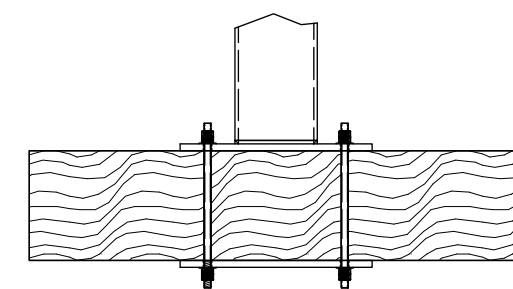
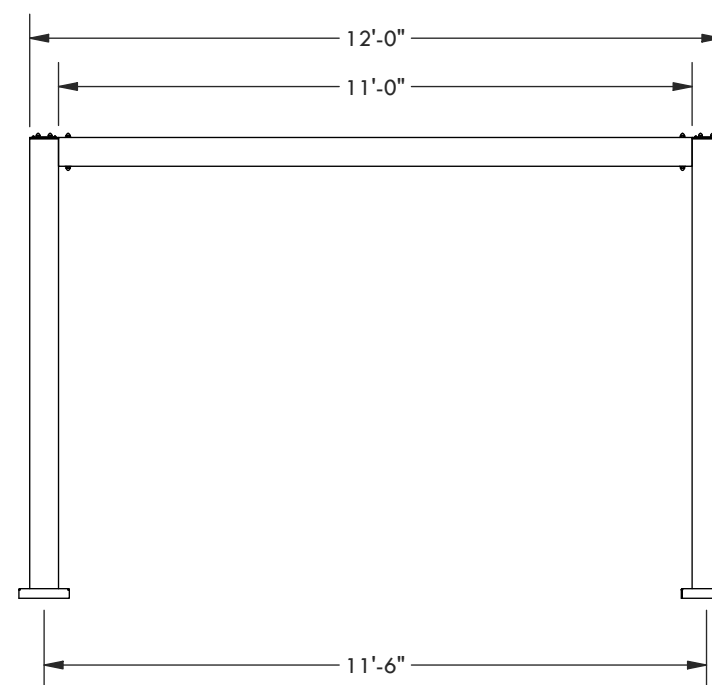
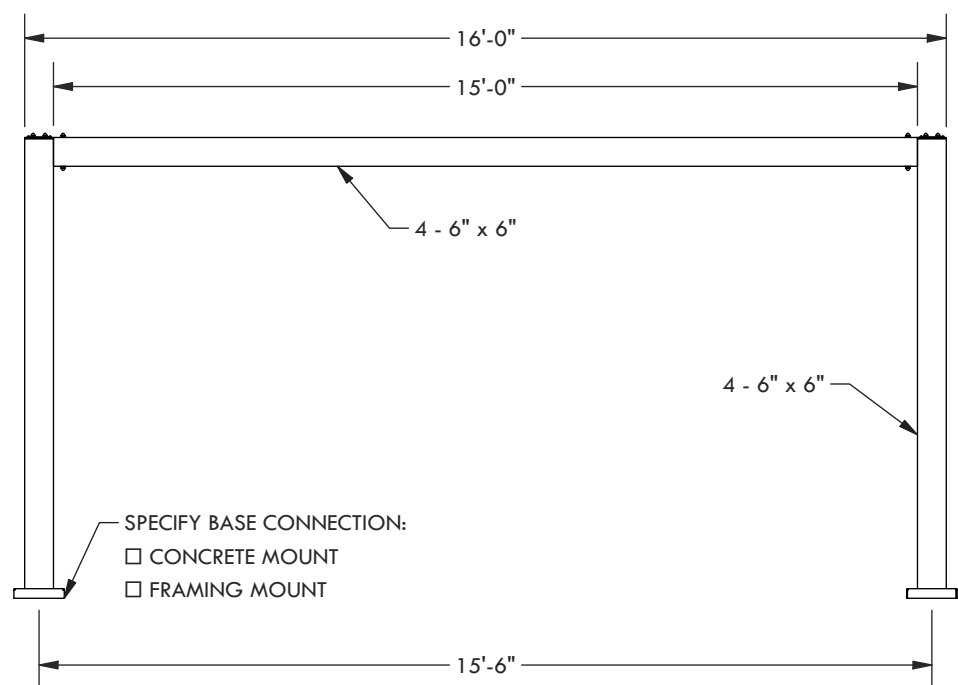


CONCRETE MOUNT



FRAMING MOUNT



DESCRIPTION			
16' WIDE X 12' PROJECTION FREESTANDING ELEMENT			
REV	BY	DESCRIPTION	DATE
1	NB	INITIAL RELEASE	03/29/21

© 2021 Structureworks

Trex® Pergola™
 www.trexpergola.com 888.908.4965