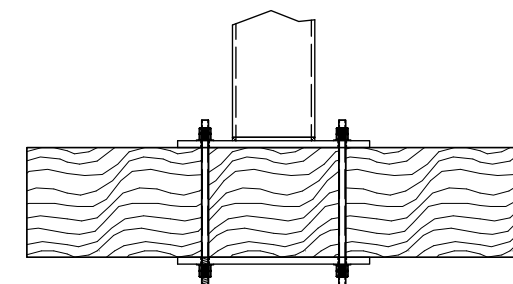
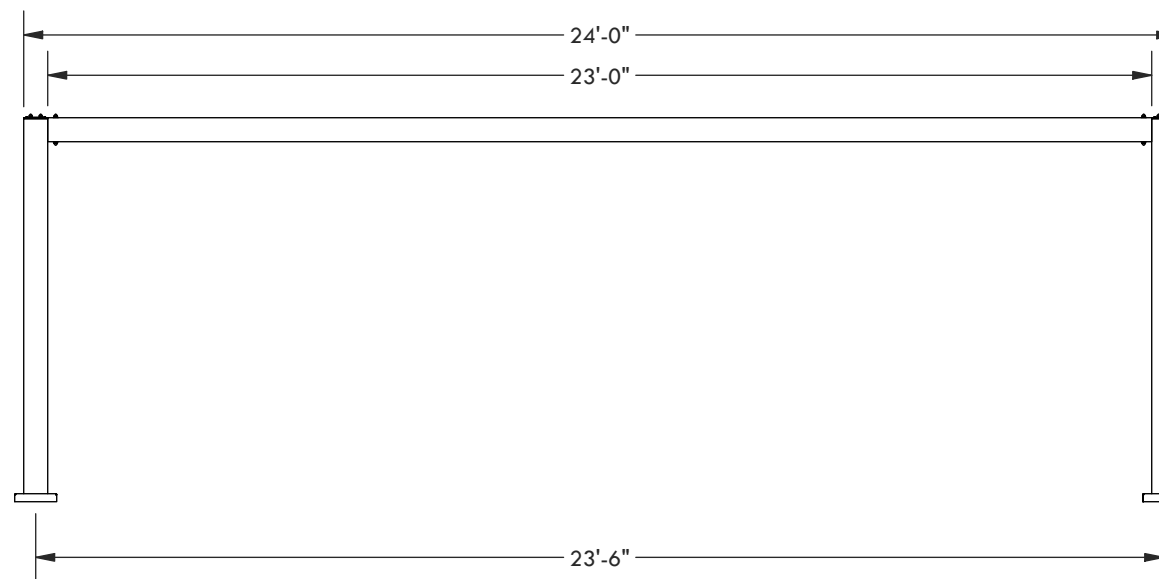
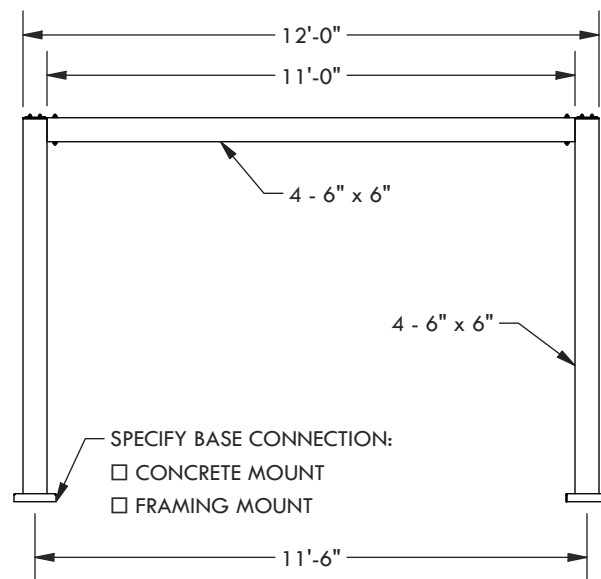


CONCRETE MOUNT



FRAMING MOUNT



DESCRIPTION			
<b>12' WIDE X 24' PROJECTION FREESTANDING ELEMENT</b>			
REV	BY	DESCRIPTION	DATE
1	NB	INITIAL RELEASE	03/29/21
<a href="http://www.trexpergola.com">www.trexpergola.com</a> 888.908.4965			

© 2021 Structureworks