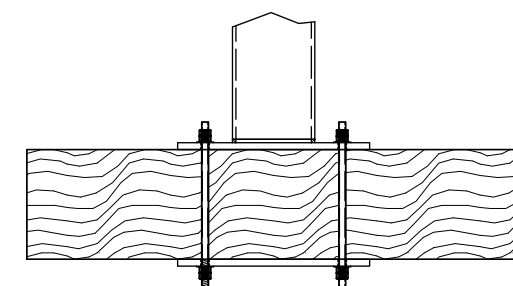
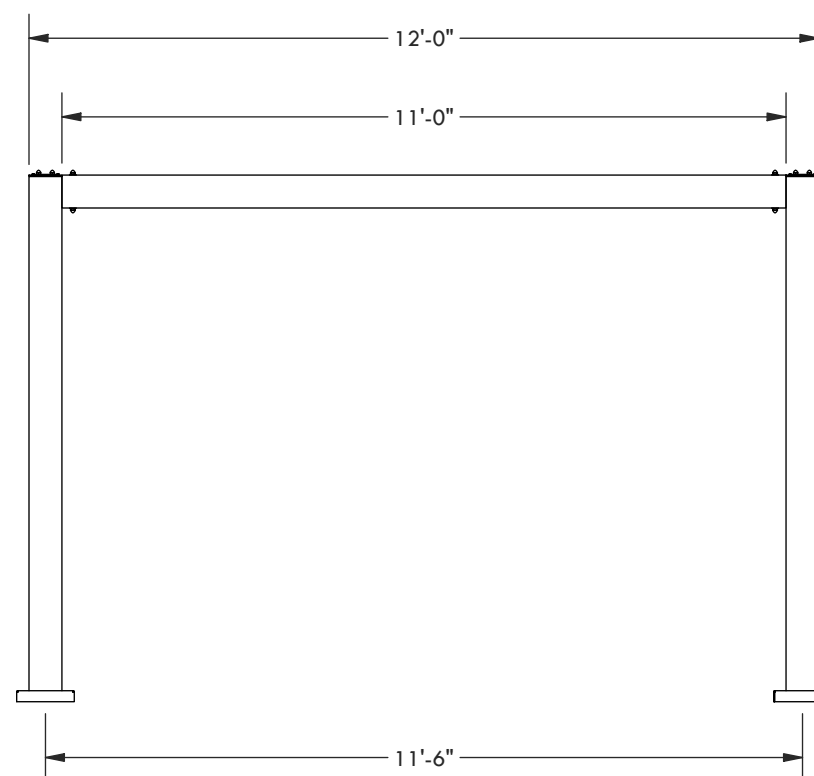
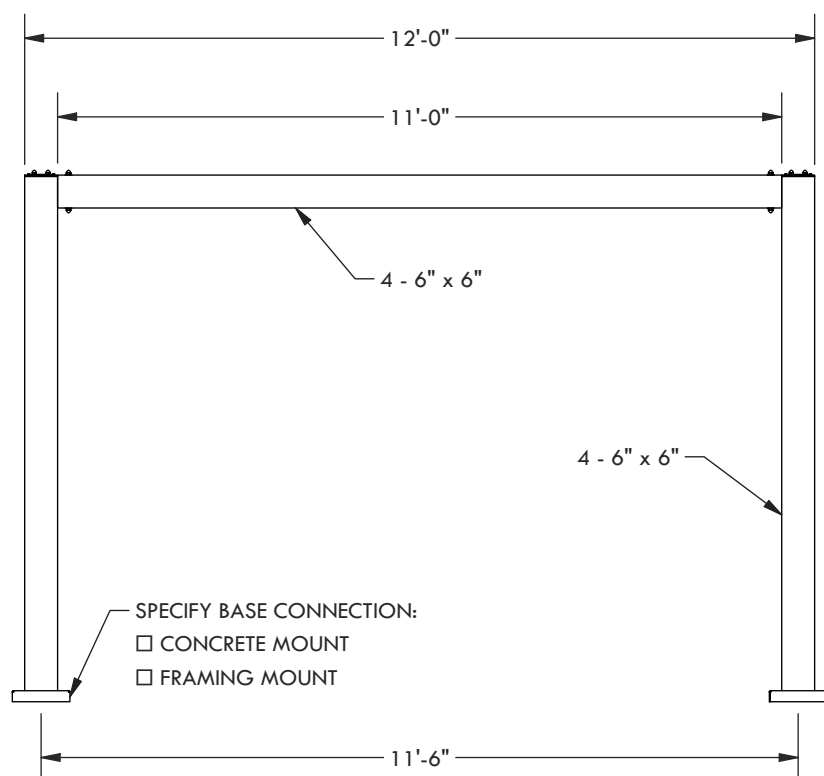


CONCRETE MOUNT



FRAMING MOUNT



DESCRIPTION			
12' WIDE X 12' PROJECTION FREESTANDING ELEMENT			
REV	BY	DESCRIPTION	DATE
1	NB	INITIAL RELEASE	03/29/21
Trex® Pergola™			
www.trexpergola.com 888.908.4965			

© 2021 Structureworks