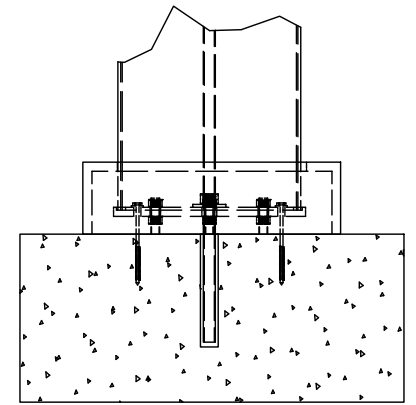
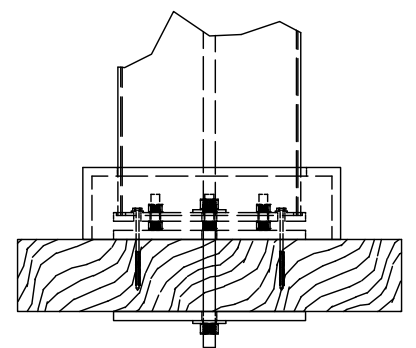


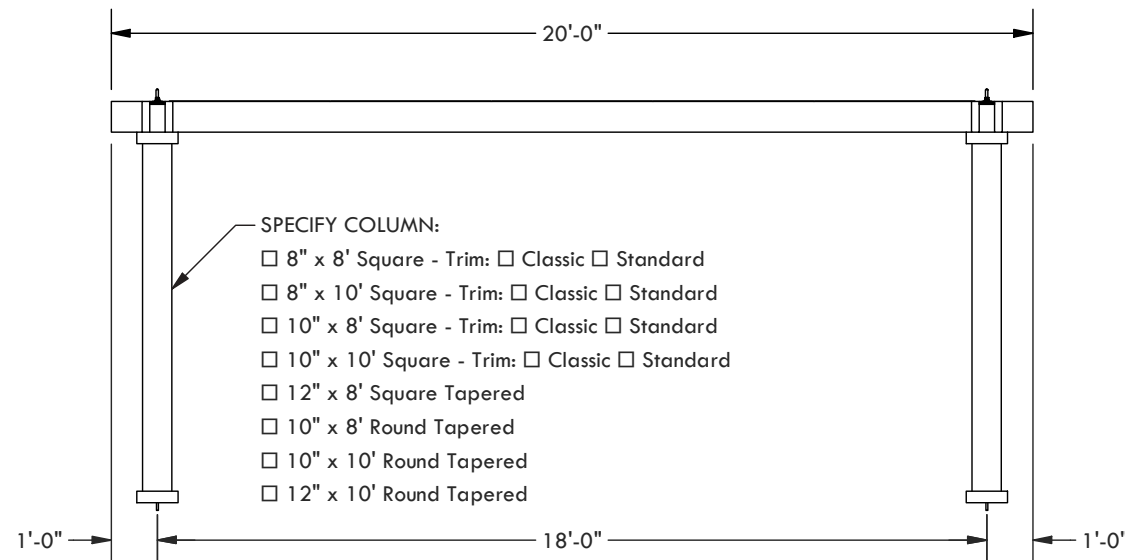
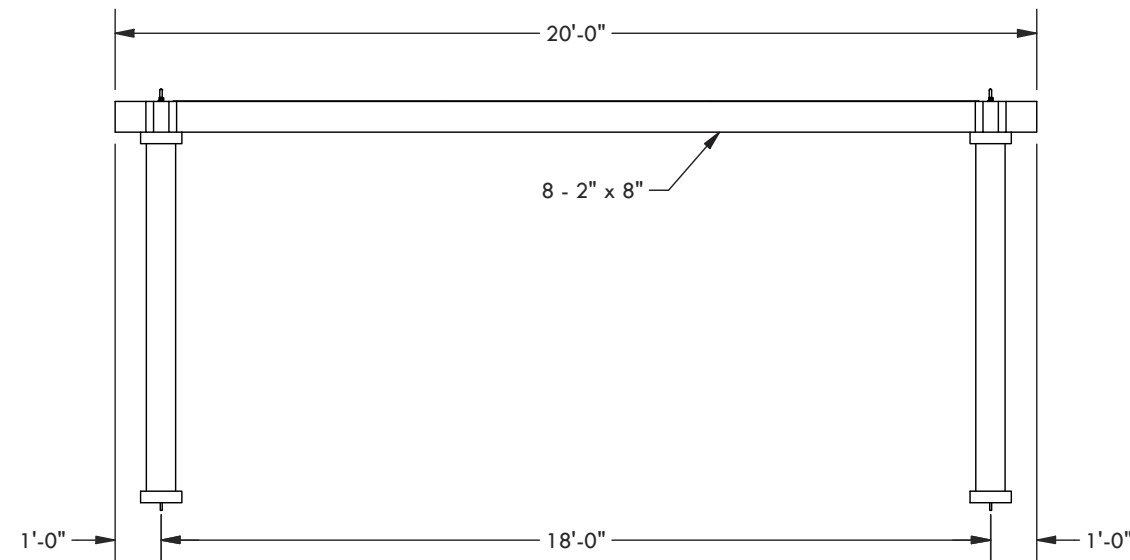
CLASSIC TRIM STANDARD TRIM



CONCRETE MOUNT



THROUGH BOLT MOUNT



- SPECIFY COLUMN:
- 8" x 8' Square - Trim: Classic Standard
 - 8" x 10' Square - Trim: Classic Standard
 - 10" x 8' Square - Trim: Classic Standard
 - 10" x 10' Square - Trim: Classic Standard
 - 12" x 8' Square Tapered
 - 10" x 8' Round Tapered
 - 10" x 10' Round Tapered
 - 12" x 10' Round Tapered

| DESCRIPTION | | | |
|---|----|-----------------|----------|
| 20' Wide x 20' Projection Freestanding Reverie | | | |
| REV | BY | DESCRIPTION | DATE |
| | PR | INITIAL RELEASE | 06/24/23 |

© 2023 Structureworks

STRUCTUREWORKS™

www.structureworks.com 877.489.8064