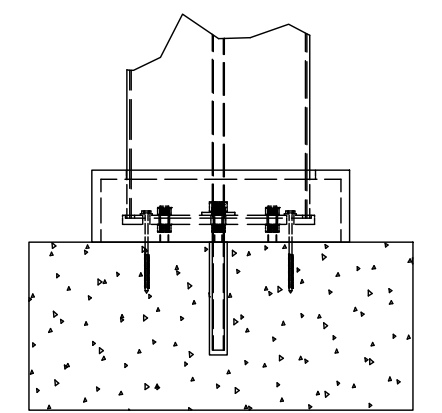
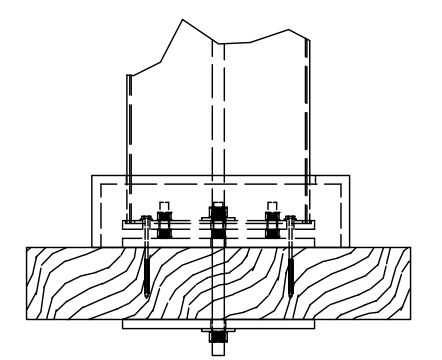


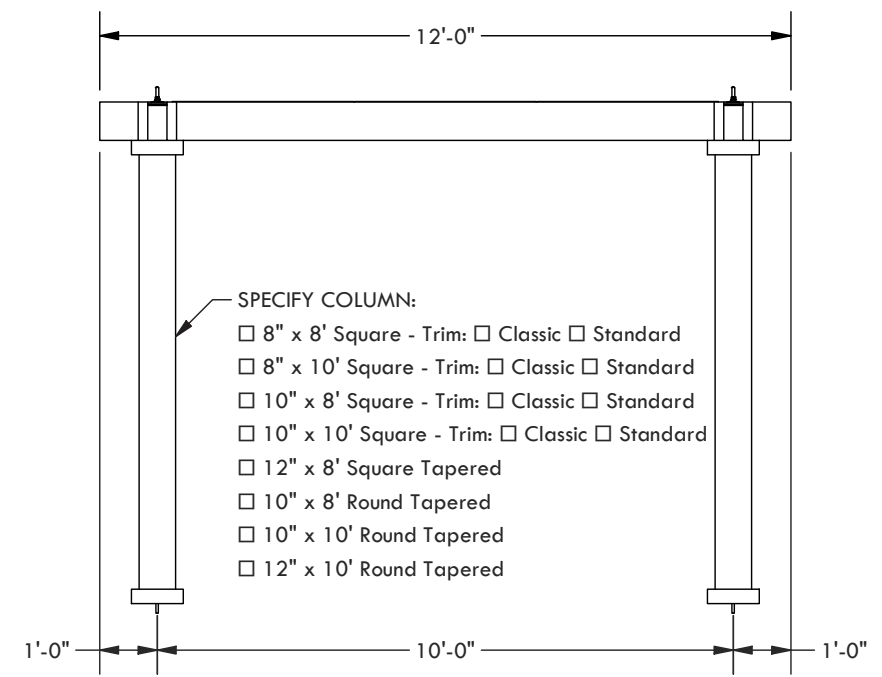
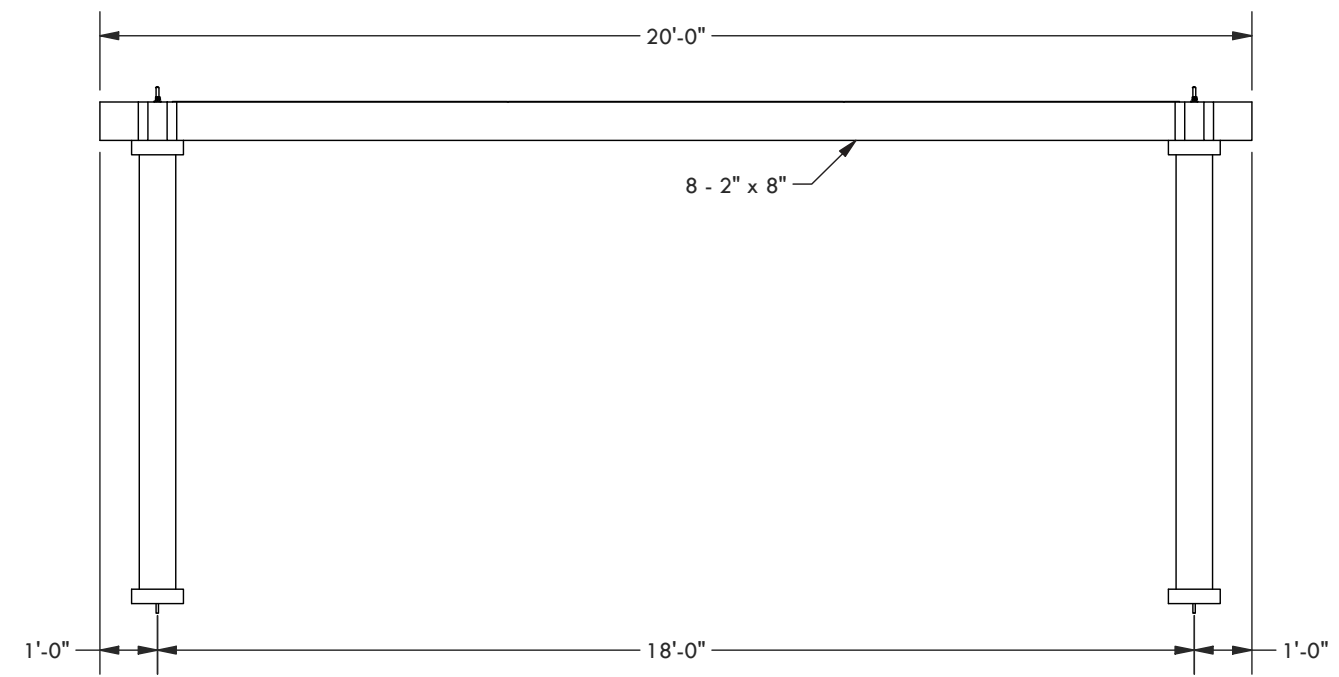
CLASSIC TRIM      STANDARD TRIM



CONCRETE MOUNT



THROUGH BOLT MOUNT



- SPECIFY COLUMN:
- 8" x 8' Square - Trim:  Classic  Standard
  - 8" x 10' Square - Trim:  Classic  Standard
  - 10" x 8' Square - Trim:  Classic  Standard
  - 10" x 10' Square - Trim:  Classic  Standard
  - 12" x 8' Square Tapered
  - 10" x 8' Round Tapered
  - 10" x 10' Round Tapered
  - 12" x 10' Round Tapered

DESCRIPTION			
<b>20' Wide x 12' Projection Freestanding Reverie</b>			
REV	BY	DESCRIPTION	DATE
	PR	INITIAL RELEASE	06/24/23

**STRUCTUREWORKS™**

www.structureworks.com 877.489.8064

© 2023 Structureworks