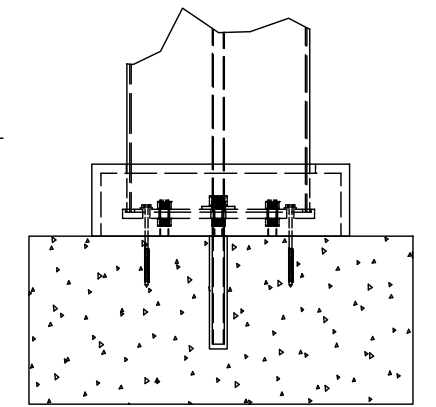
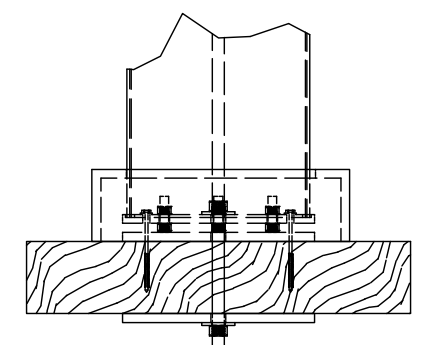


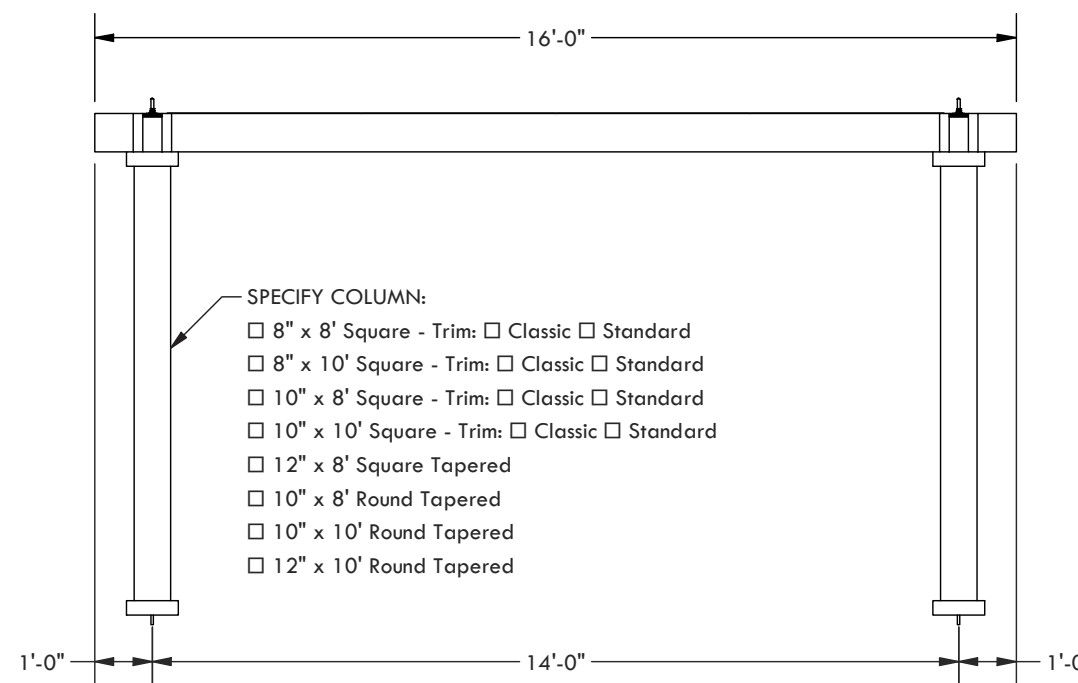
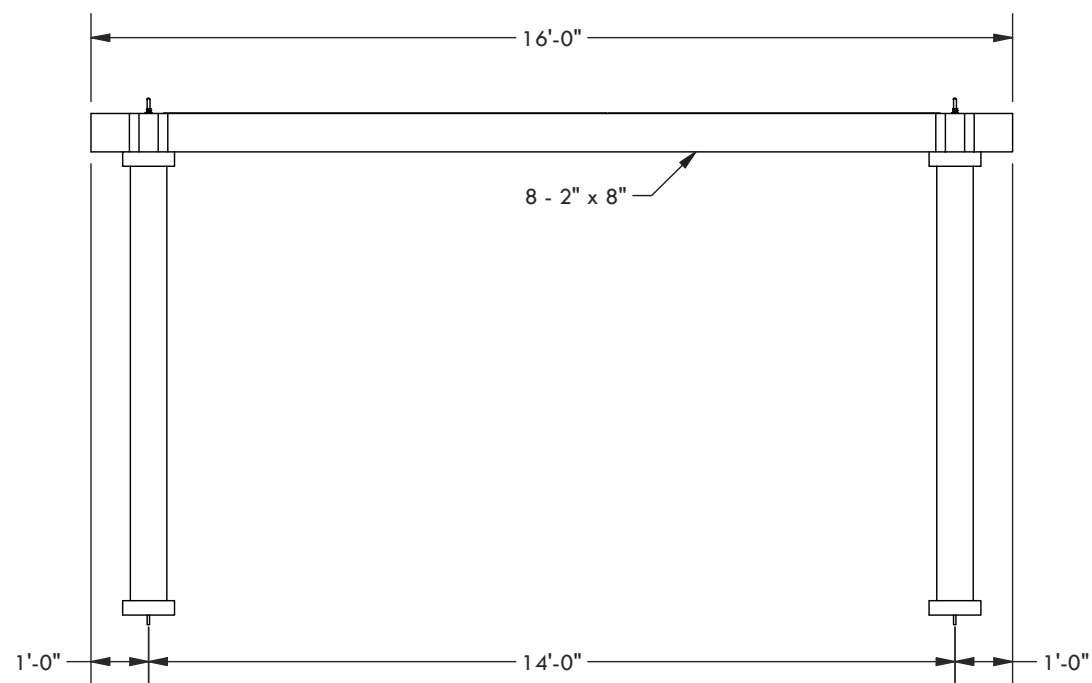
CLASSIC TRIM STANDARD TRIM



CONCRETE MOUNT



THROUGH BOLT MOUNT



SPECIFY COLUMN:

- 8" x 8' Square - Trim: Classic Standard
- 8" x 10' Square - Trim: Classic Standard
- 10" x 8' Square - Trim: Classic Standard
- 10" x 10' Square - Trim: Classic Standard
- 12" x 8' Square Tapered
- 10" x 8' Round Tapered
- 10" x 10' Round Tapered
- 12" x 10' Round Tapered

© 2023 Structureworks

DESCRIPTION			
16' Wide x 16' Projection Freestanding Reverie			
REV	BY	DESCRIPTION	DATE
	PR	INITIAL RELEASE	06/24/23

STRUCTUREWORKSTM

www.structureworks.com 877.489.8064