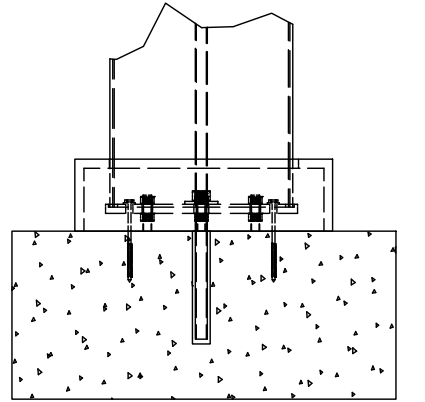
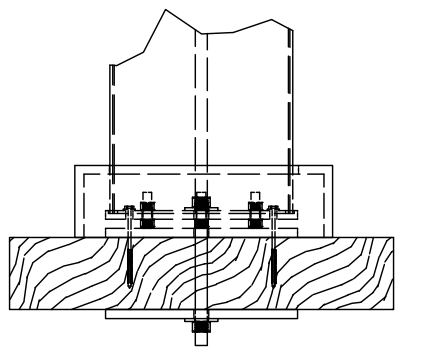


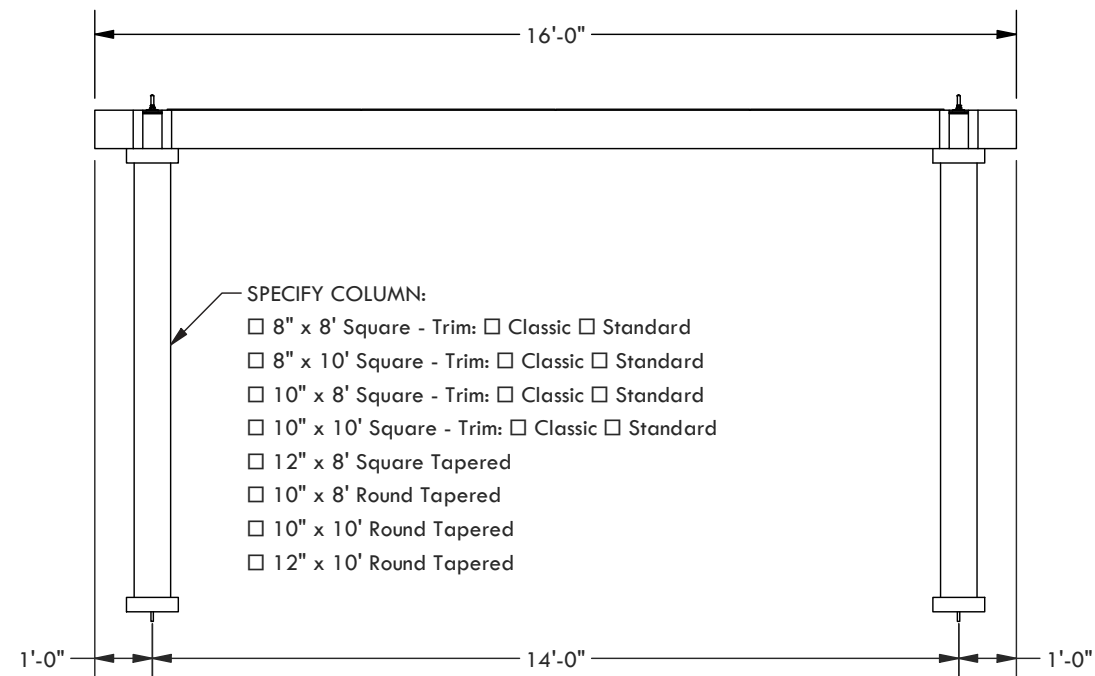
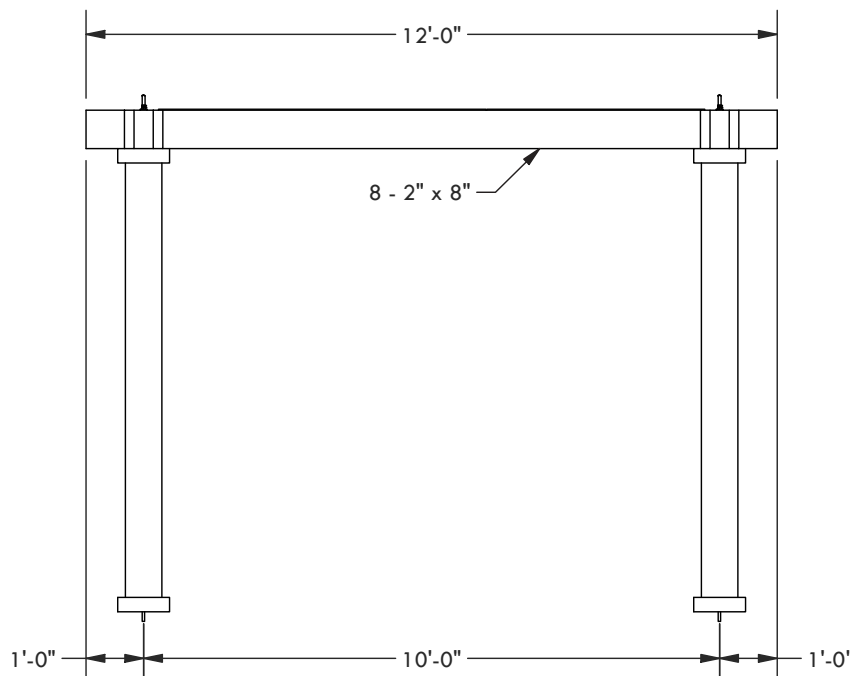
CLASSIC TRIM STANDARD TRIM



CONCRETE MOUNT



THROUGH BOLT MOUNT



- SPECIFY COLUMN:
- 8" x 8' Square - Trim: Classic Standard
 - 8" x 10' Square - Trim: Classic Standard
 - 10" x 8' Square - Trim: Classic Standard
 - 10" x 10' Square - Trim: Classic Standard
 - 12" x 8' Square Tapered
 - 10" x 8' Round Tapered
 - 10" x 10' Round Tapered
 - 12" x 10' Round Tapered

DESCRIPTION			
12' Wide x 16' Projection Freestanding Reverie			
REV	BY	DESCRIPTION	DATE
	PR	INITIAL RELEASE	06/24/23
STRUCTUREWORKS™			
www.structureworks.com 877.489.8064			

© 2023 Structureworks