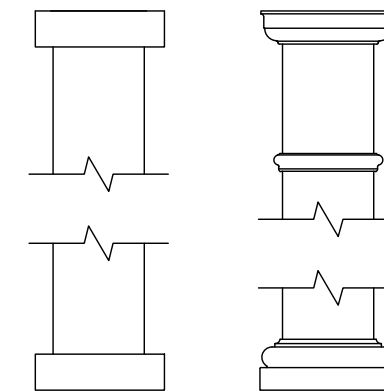
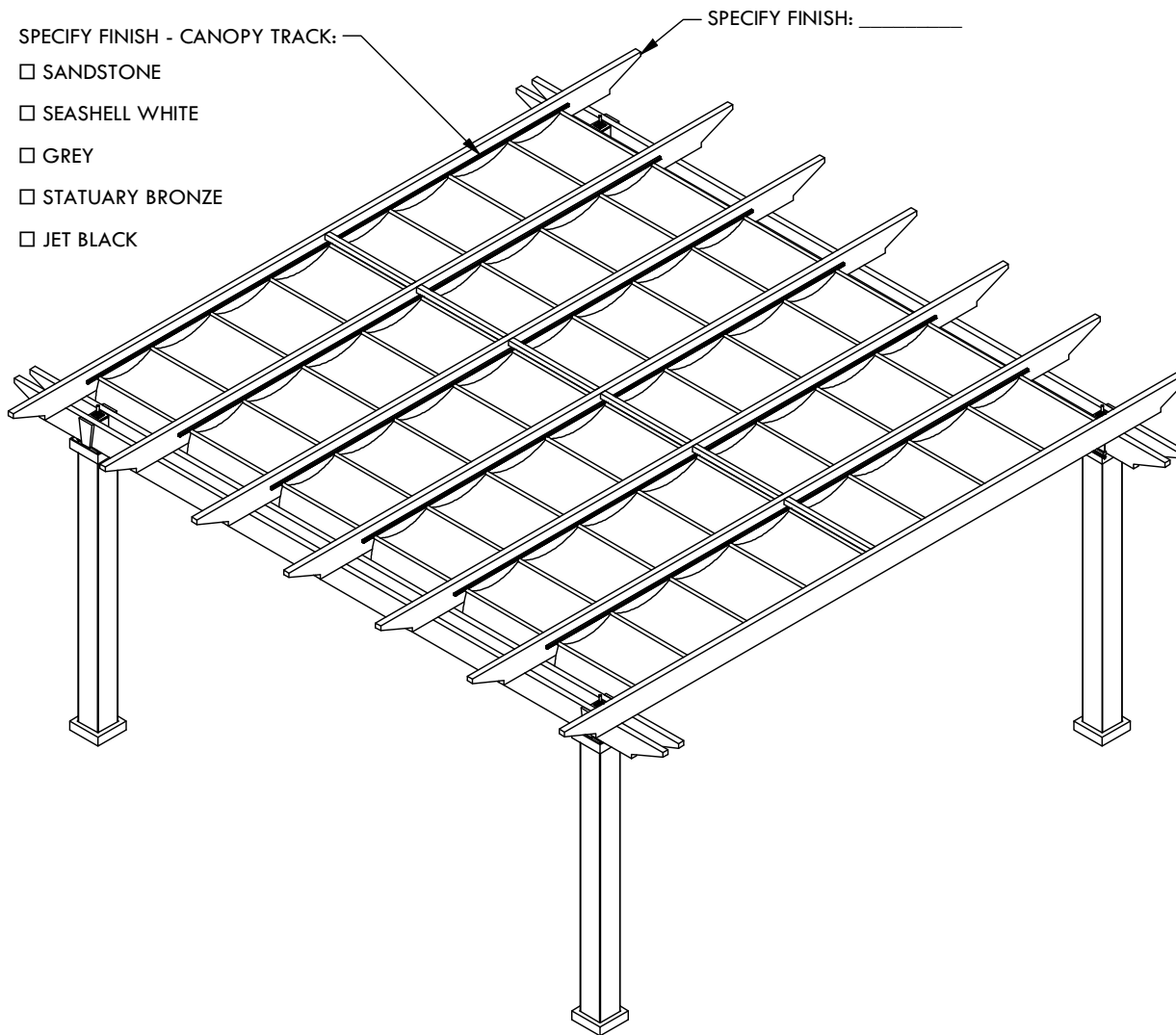
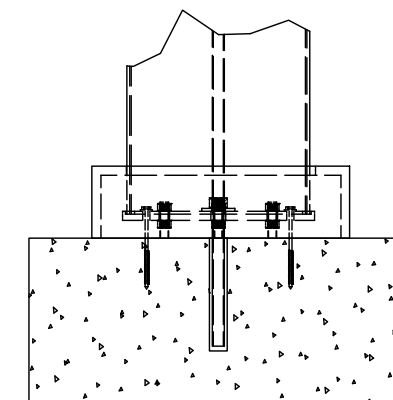


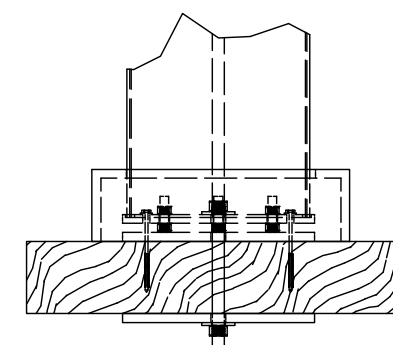
- SPECIFY FINISH - CANOPY TRACK:
- SANDSTONE
 - SEASHELL WHITE
 - GREY
 - STATUARY BRONZE
 - JET BLACK
- SPECIFY FINISH: _____



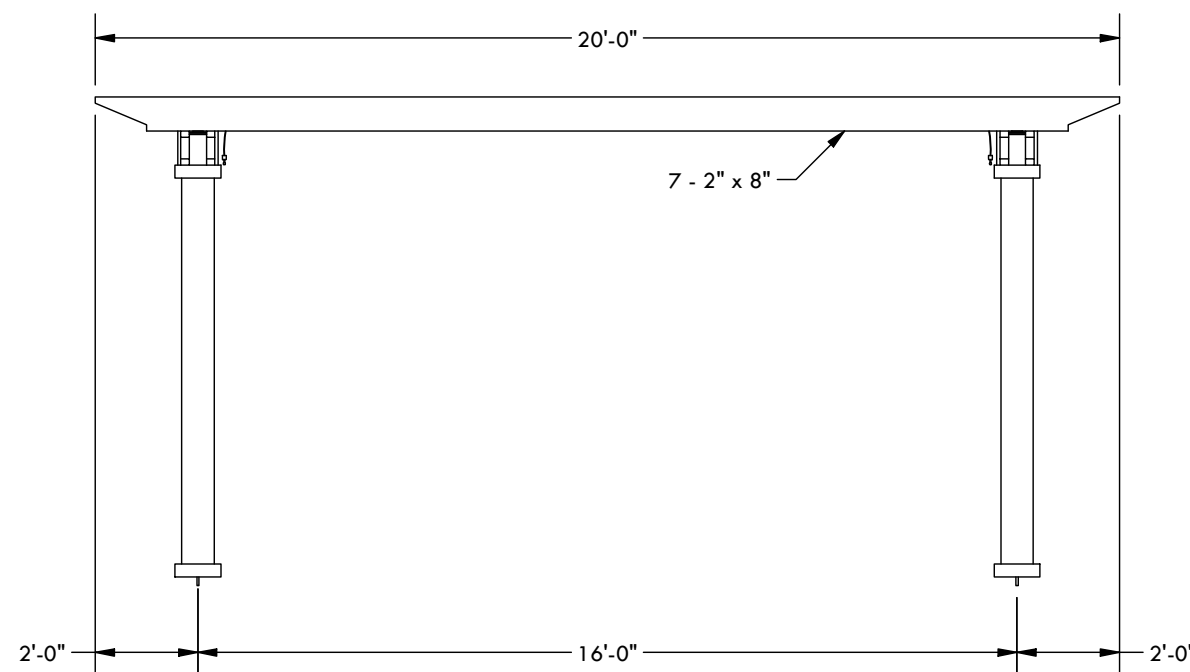
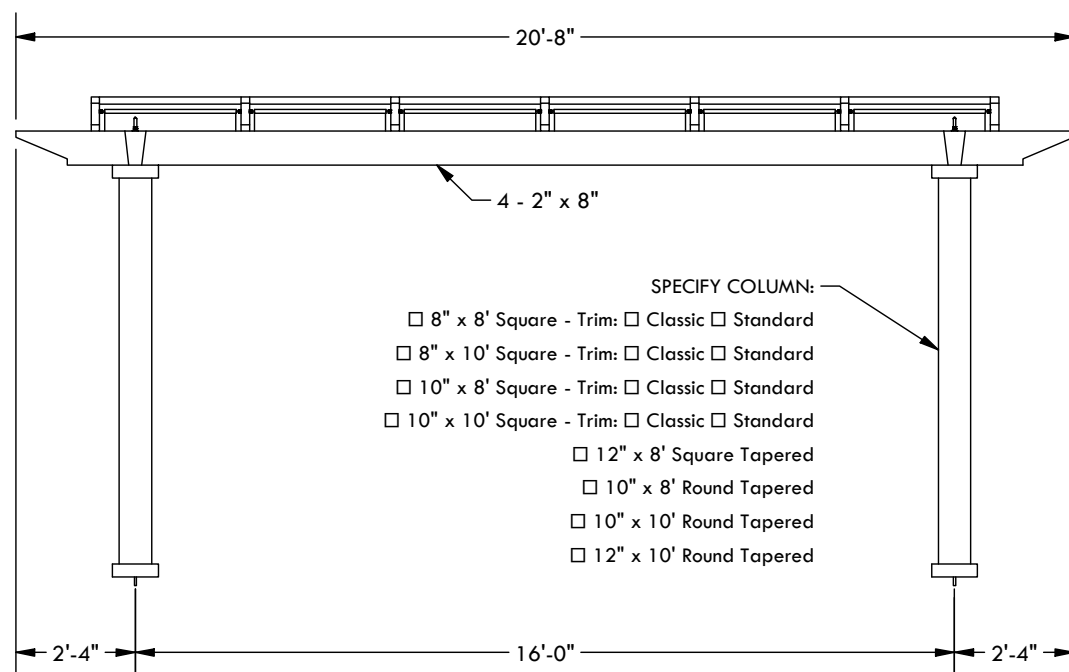
CLASSIC TRIM STANDARD TRIM



CONCRETE MOUNT



THROUGH BOLT MOUNT



DESCRIPTION			
20' - 8" WIDE x 20' PROJECTION FREESTANDING MARQUIS			
REV	BY	DESCRIPTION	DATE
	SP	INITIAL RELEASE	06/22/23

© 2023 Structureworks

STRUCTUREWORKS™

www.structureworks.com 877.489.8064