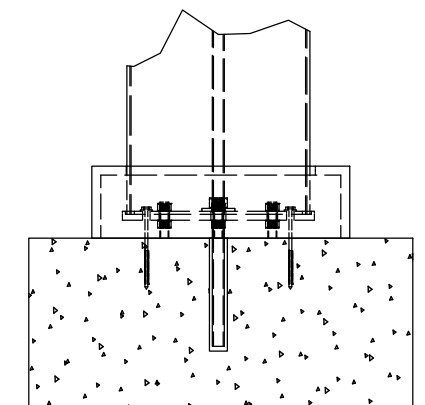
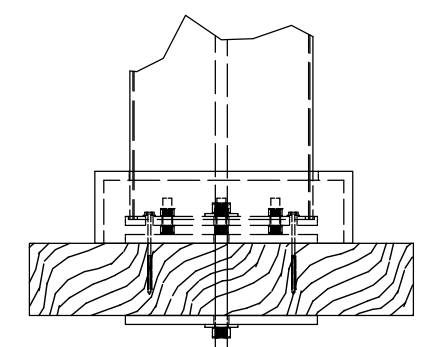


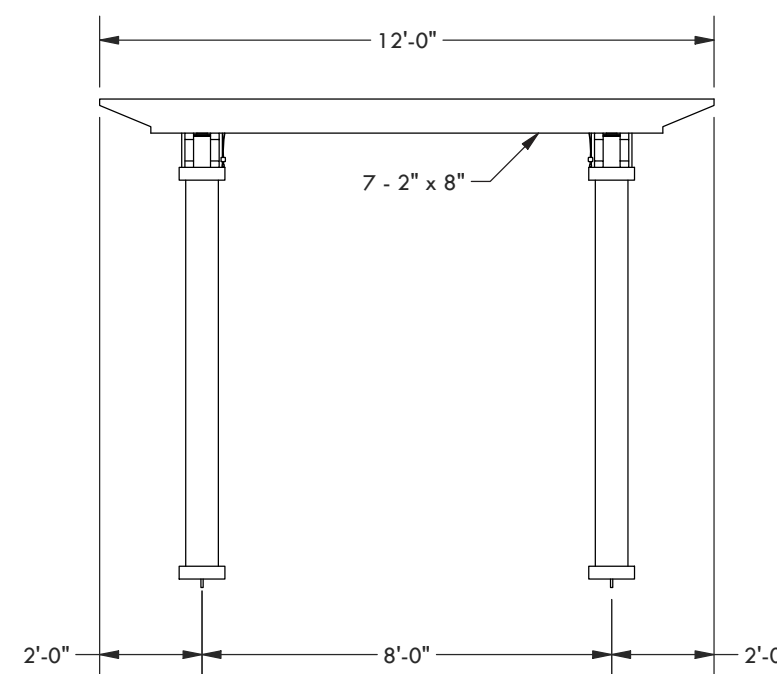
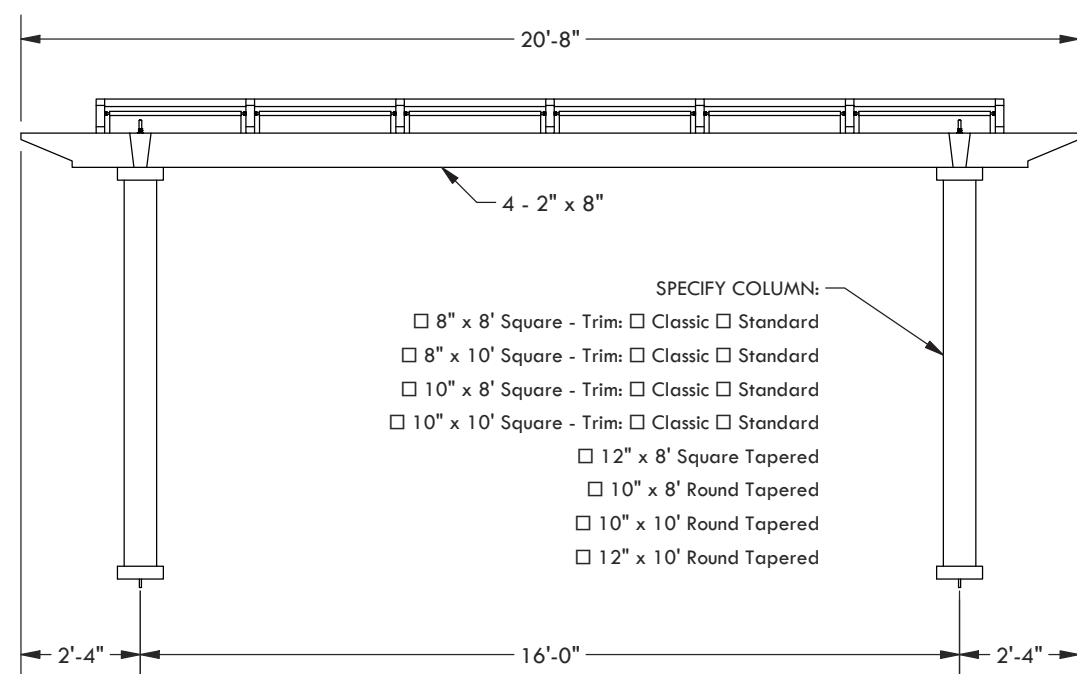
CLASSIC TRIM      STANDARD TRIM



CONCRETE MOUNT



THROUGH BOLT MOUNT



© 2023 Structureworks

DESCRIPTION			
<b>20' - 8" WIDE x 12' PROJECTION FREESTANDING MARQUIS</b>			
REV	BY	DESCRIPTION	DATE
	SP	INITIAL RELEASE	06/22/23

**STRUCTUREWORKS**<sup>TM</sup>

www.structureworks.com 877.489.8064