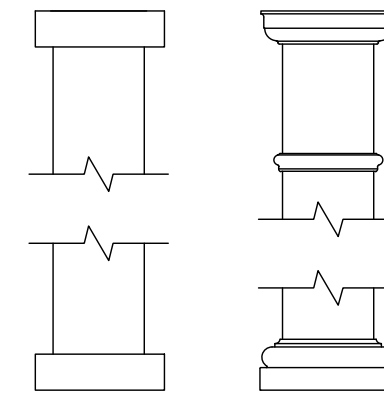
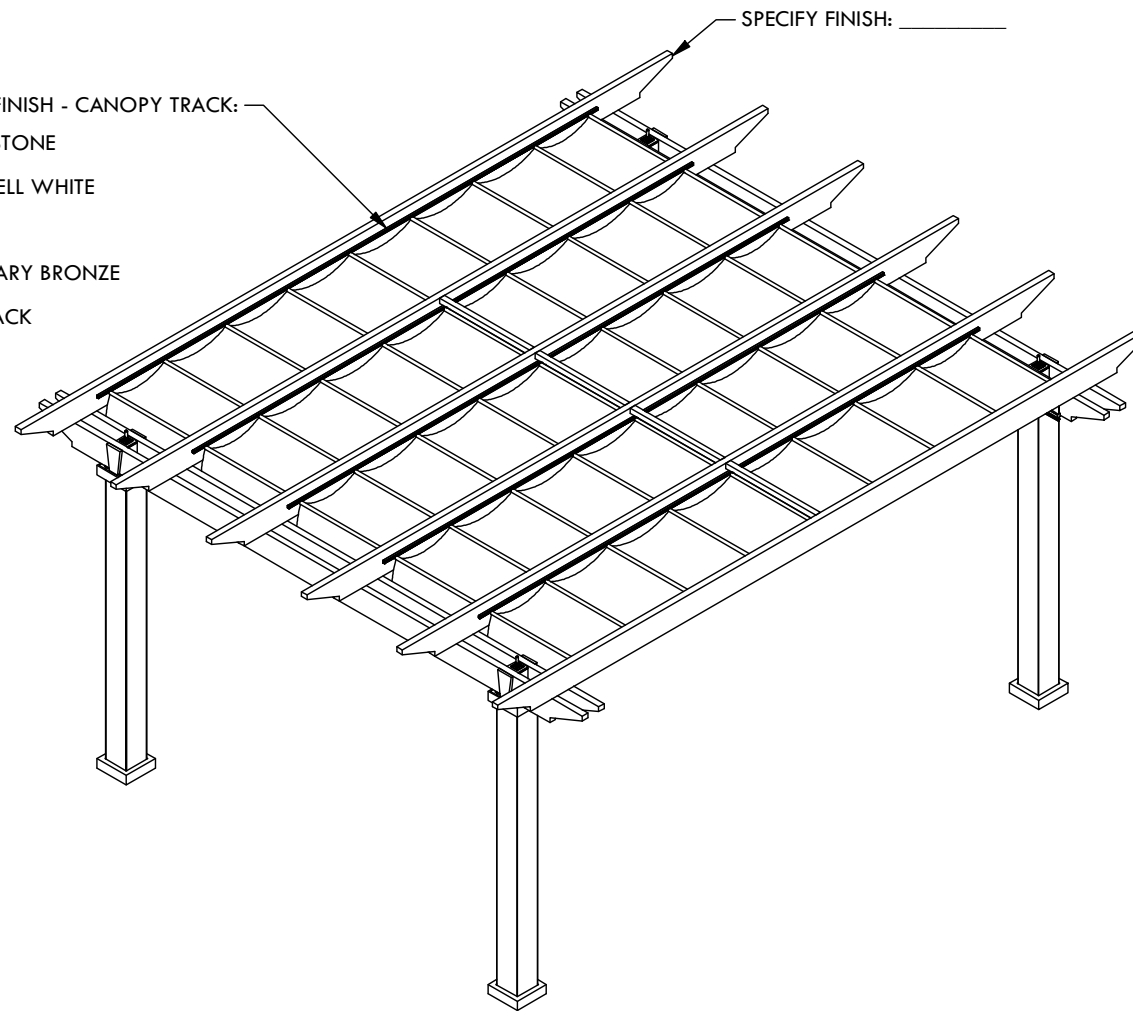


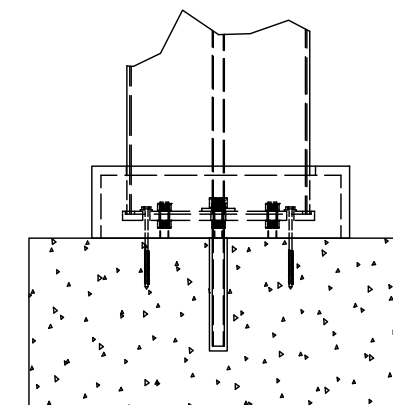
SPECIFY FINISH - CANOPY TRACK:

- SANDSTONE
- SEASHELL WHITE
- GREY
- STATUARY BRONZE
- JET BLACK

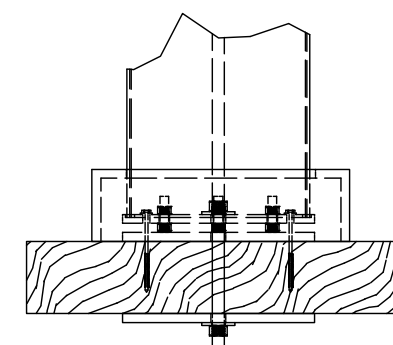


CLASSIC TRIM

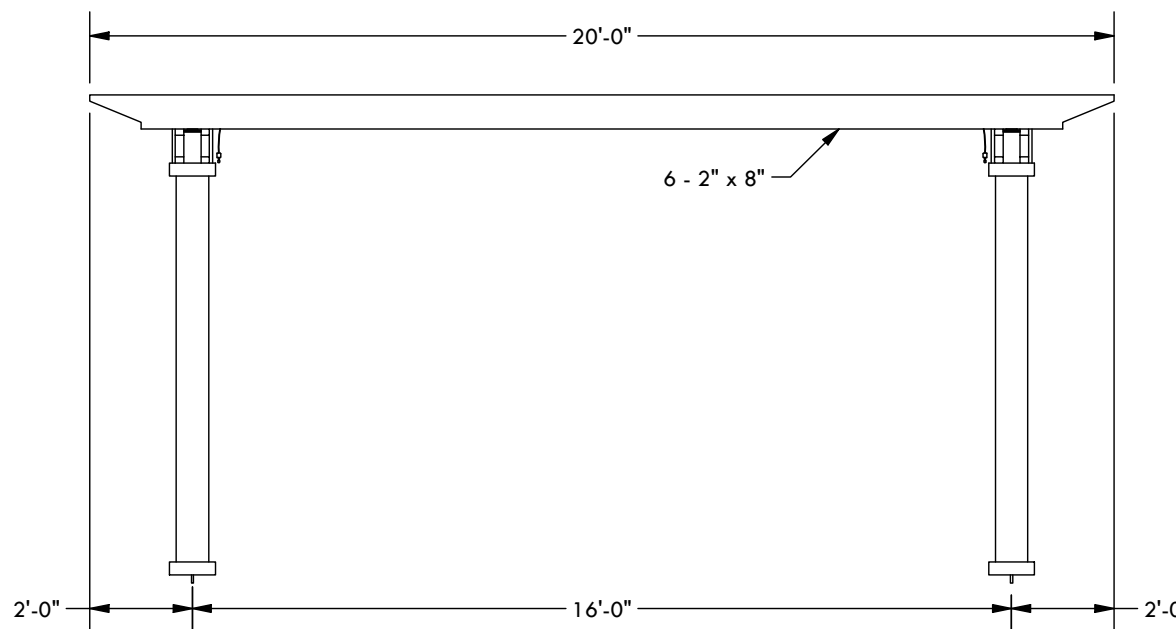
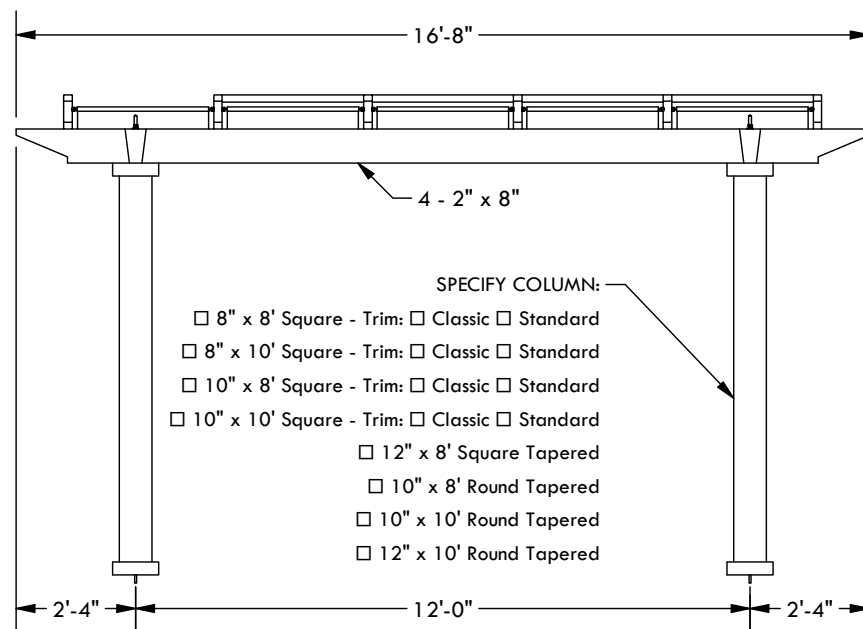
STANDARD TRIM



CONCRETE MOUNT



THROUGH BOLT MOUNT



DESCRIPTION			
16' - 8" WIDE x 20' PROJECTION FREESTANDING MARQUIS			
REV	BY	DESCRIPTION	DATE
	SP	INITIAL RELEASE	06/22/23

© 2023 Structureworks

STRUCTUREWORKSTM

www.structureworks.com 877.489.8064