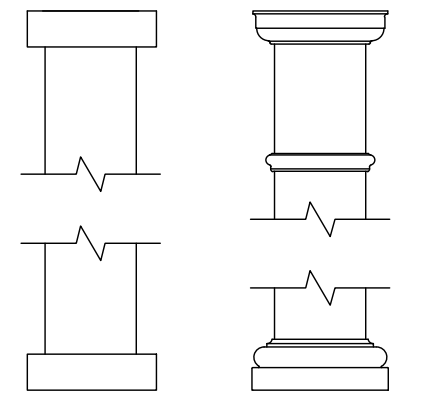
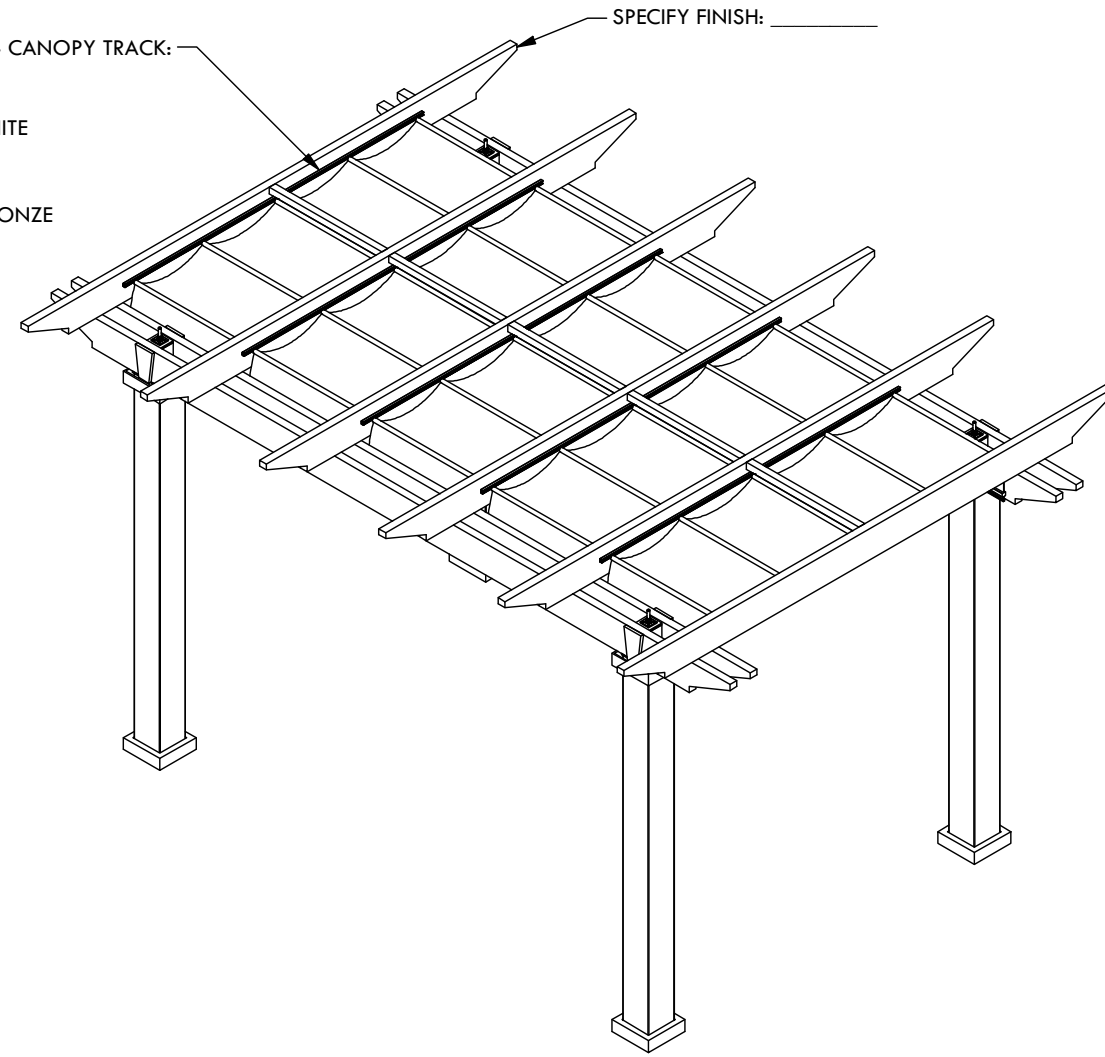
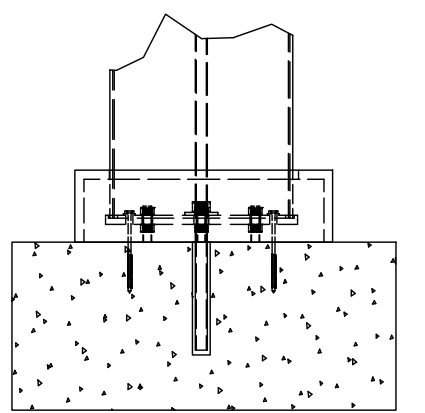


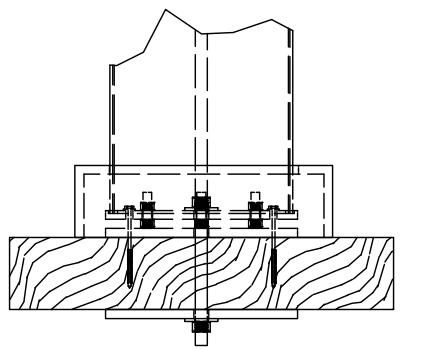
- SPECIFY FINISH - CANOPY TRACK:
- SANDSTONE
 - SEASHELL WHITE
 - GREY
 - STATUARY BRONZE
 - JET BLACK



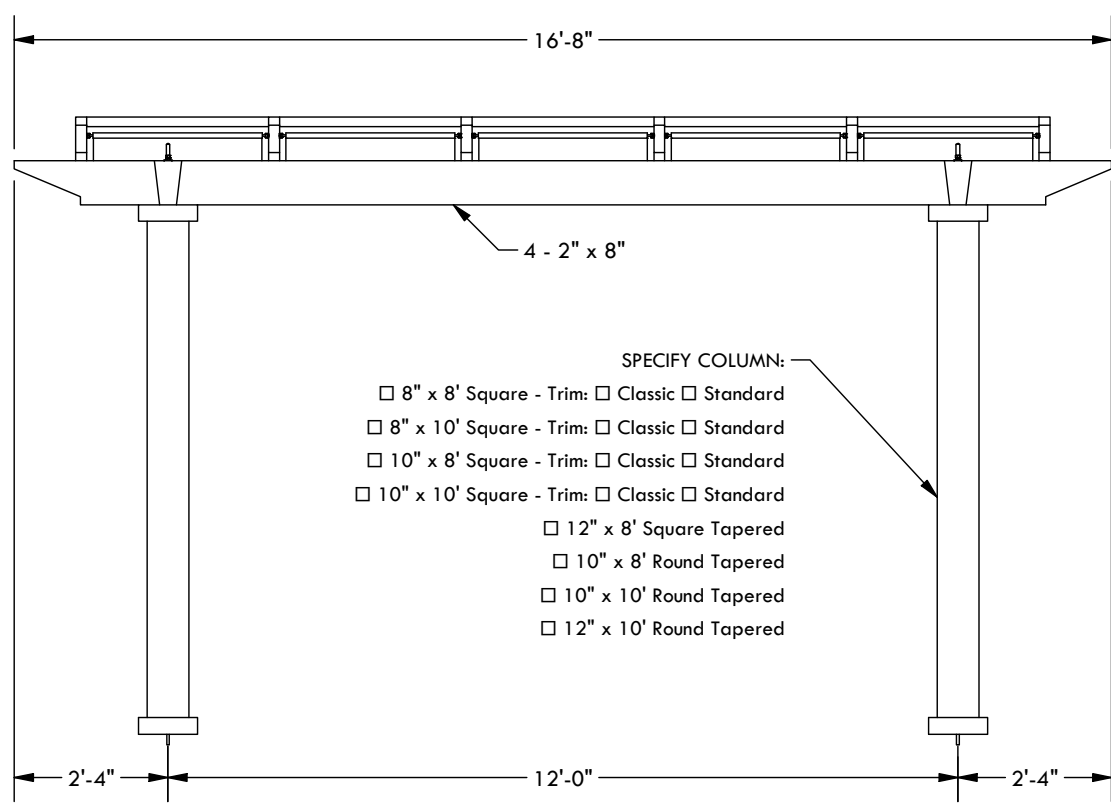
CLASSIC TRIM STANDARD TRIM



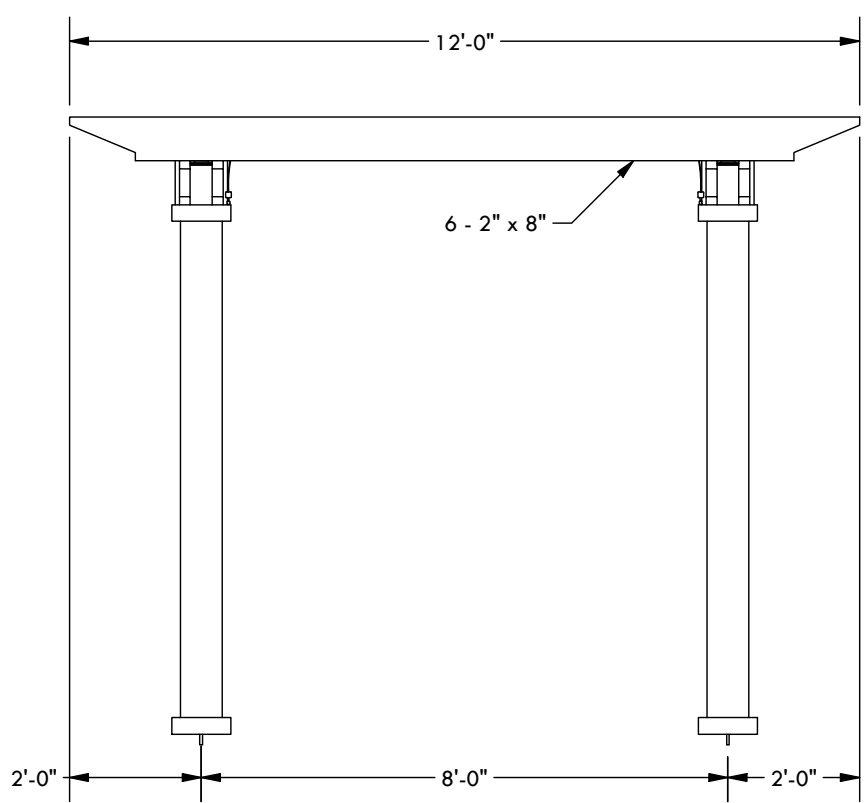
CONCRETE MOUNT



THROUGH BOLT MOUNT



- SPECIFY COLUMN:
- 8" x 8' Square - Trim: Classic Standard
 - 8" x 10' Square - Trim: Classic Standard
 - 10" x 8' Square - Trim: Classic Standard
 - 10" x 10' Square - Trim: Classic Standard
 - 12" x 8' Square Tapered
 - 10" x 8' Round Tapered
 - 10" x 10' Round Tapered
 - 12" x 10' Round Tapered



| DESCRIPTION | | | |
|--|----|-----------------|----------|
| 16' - 8" WIDE x 12' PROJECTION FREESTANDING MARQUIS | | | |
| REV | BY | DESCRIPTION | DATE |
| | SP | INITIAL RELEASE | 06/22/23 |

STRUCTUREWORKS™
www.structureworks.com 877.489.8064

© 2023 Structureworks