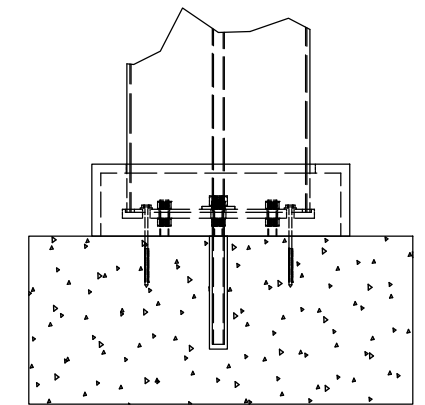
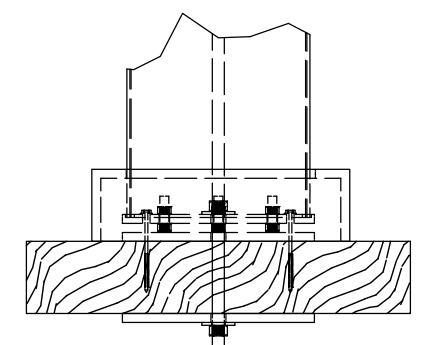


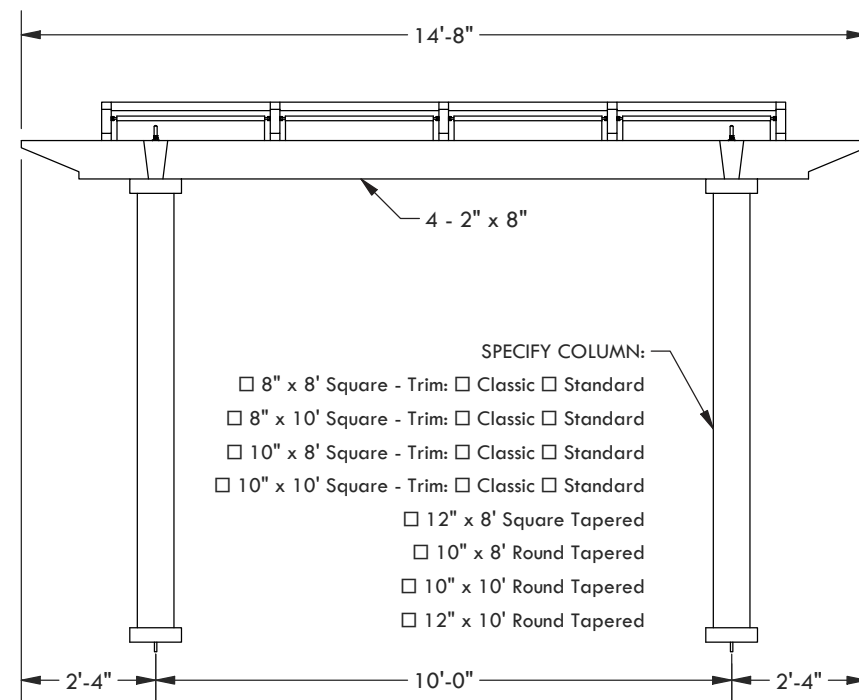
CLASSIC TRIM      STANDARD TRIM



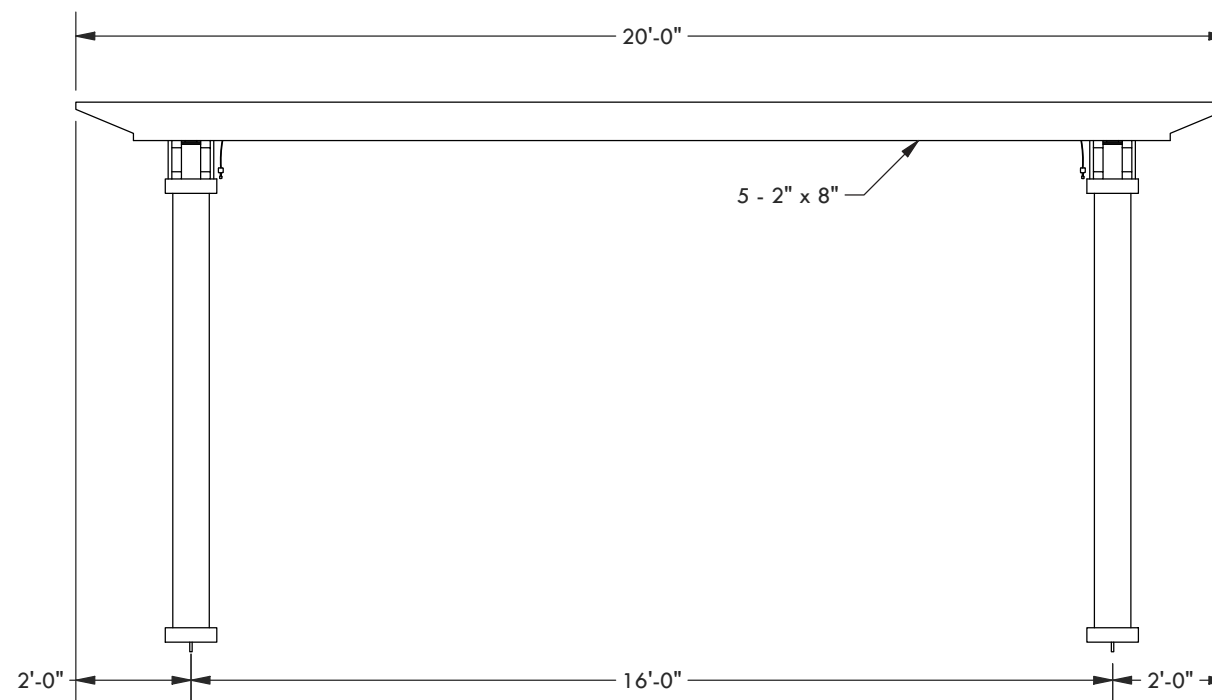
CONCRETE MOUNT



THROUGH BOLT MOUNT



- SPECIFY COLUMN:
- 8" x 8' Square - Trim:  Classic  Standard
  - 8" x 10' Square - Trim:  Classic  Standard
  - 10" x 8' Square - Trim:  Classic  Standard
  - 10" x 10' Square - Trim:  Classic  Standard
  - 12" x 8' Square Tapered
  - 10" x 8' Round Tapered
  - 10" x 10' Round Tapered
  - 12" x 10' Round Tapered



DESCRIPTION			
<b>14' - 8" WIDE x 20' PROJECTION FREESTANDING MARQUIS</b>			
REV	BY	DESCRIPTION	DATE
	SP	INITIAL RELEASE	06/22/23
<b>STRUCTUREWORKS™</b>			
www.structureworks.com 877.489.8064			

© 2023 Structureworks