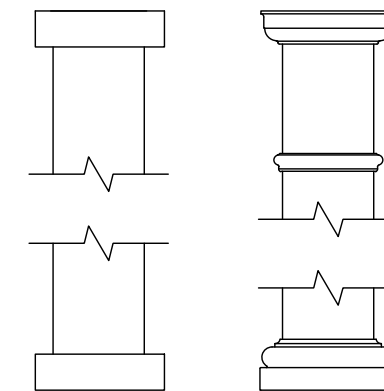
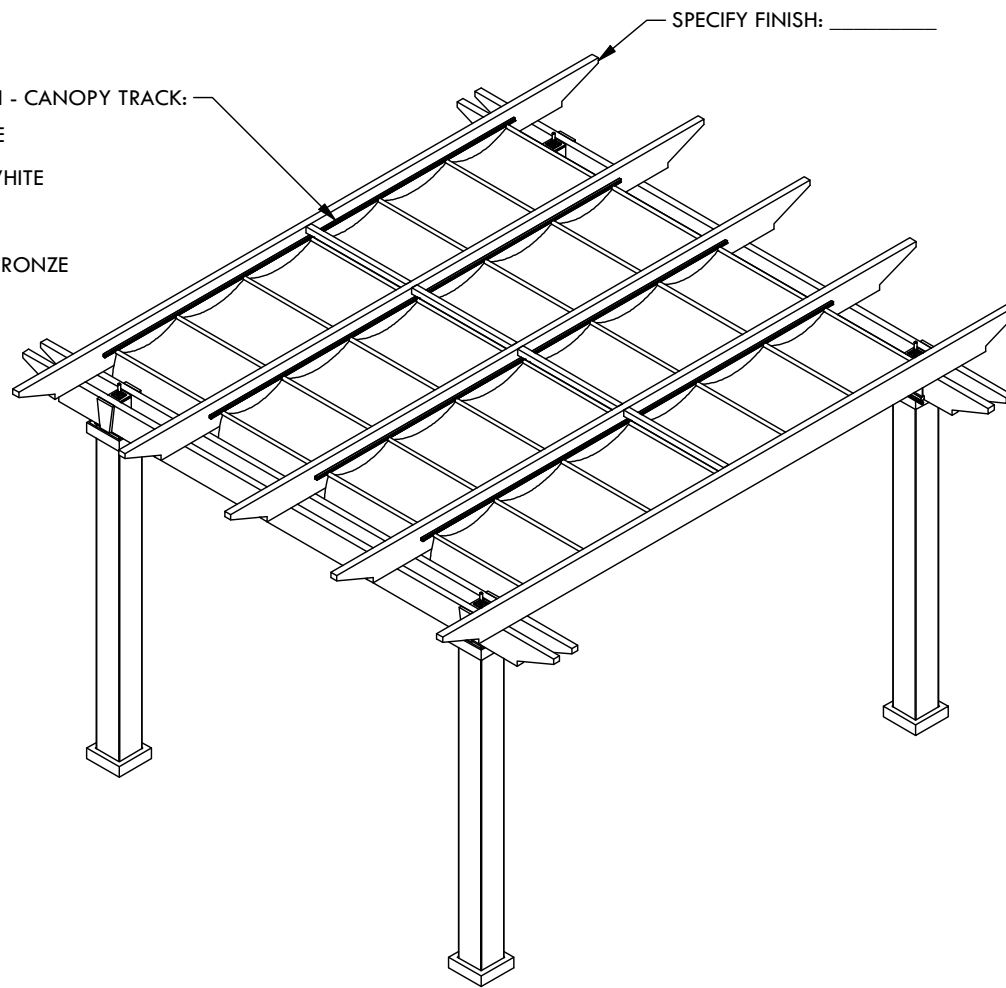


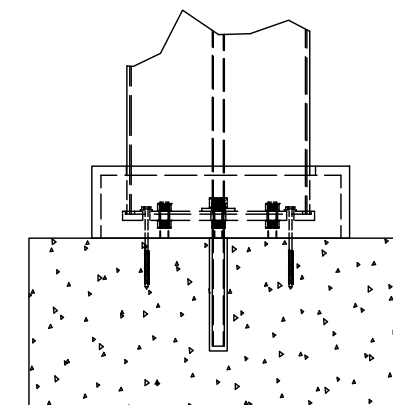
SPECIFY FINISH - CANOPY TRACK:

- SANDSTONE
- SEASHELL WHITE
- GREY
- STATUARY BRONZE
- JET BLACK

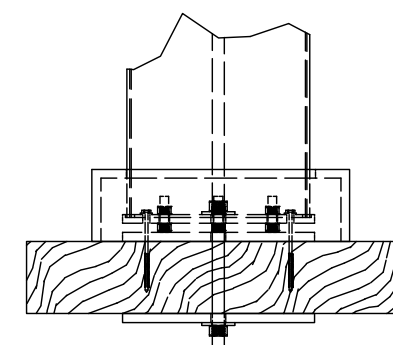


CLASSIC TRIM

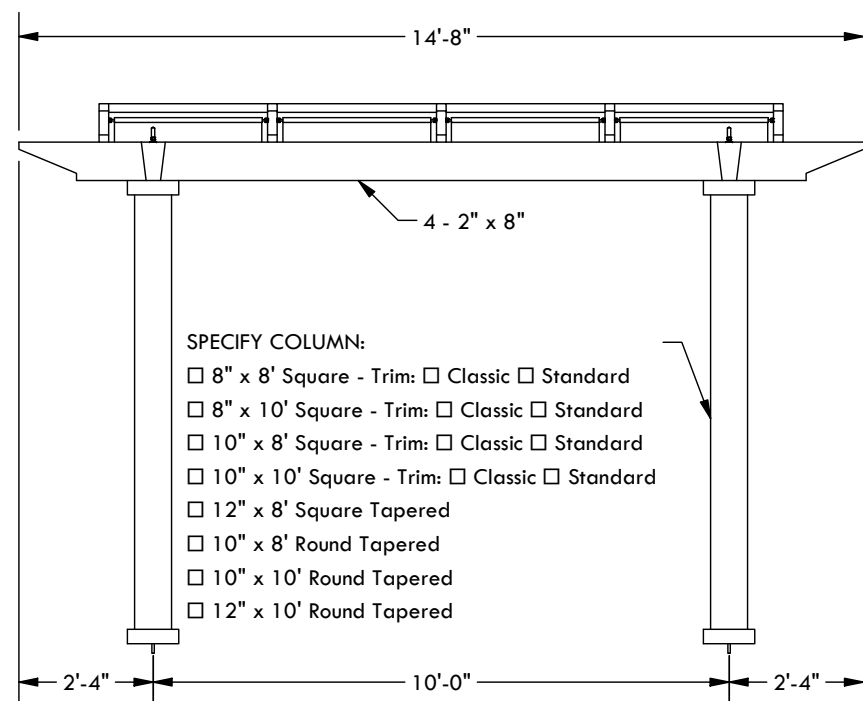
STANDARD TRIM



CONCRETE MOUNT

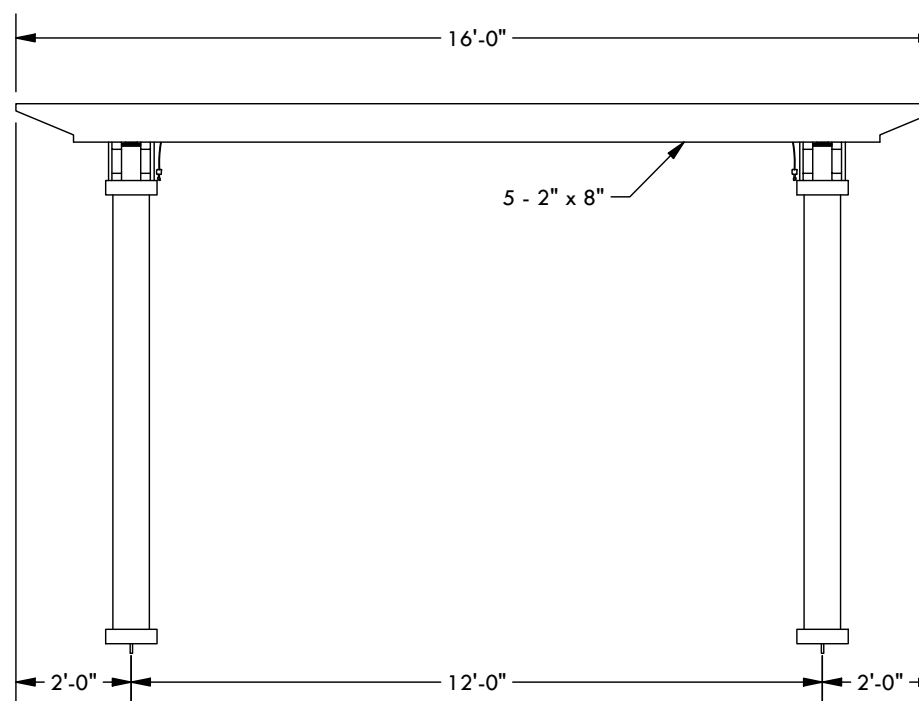


THROUGH BOLT MOUNT



SPECIFY COLUMN:

- 8" x 8' Square - Trim: Classic Standard
- 8" x 10' Square - Trim: Classic Standard
- 10" x 8' Square - Trim: Classic Standard
- 10" x 10' Square - Trim: Classic Standard
- 12" x 8' Square Tapered
- 10" x 8' Round Tapered
- 10" x 10' Round Tapered
- 12" x 10' Round Tapered



© 2023 Structureworks

| DESCRIPTION | | | |
|--|----|-----------------|----------|
| 14' - 8" WIDE x 16' PROJECTION FREESTANDING MARQUIS | | | |
| REV | BY | DESCRIPTION | DATE |
| | SP | INITIAL RELEASE | 06/22/23 |

STRUCTUREWORKSTM

www.structureworks.com 877.489.8064