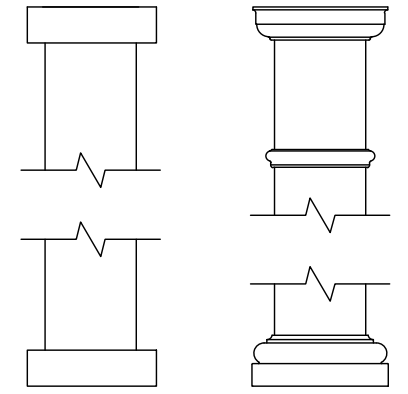
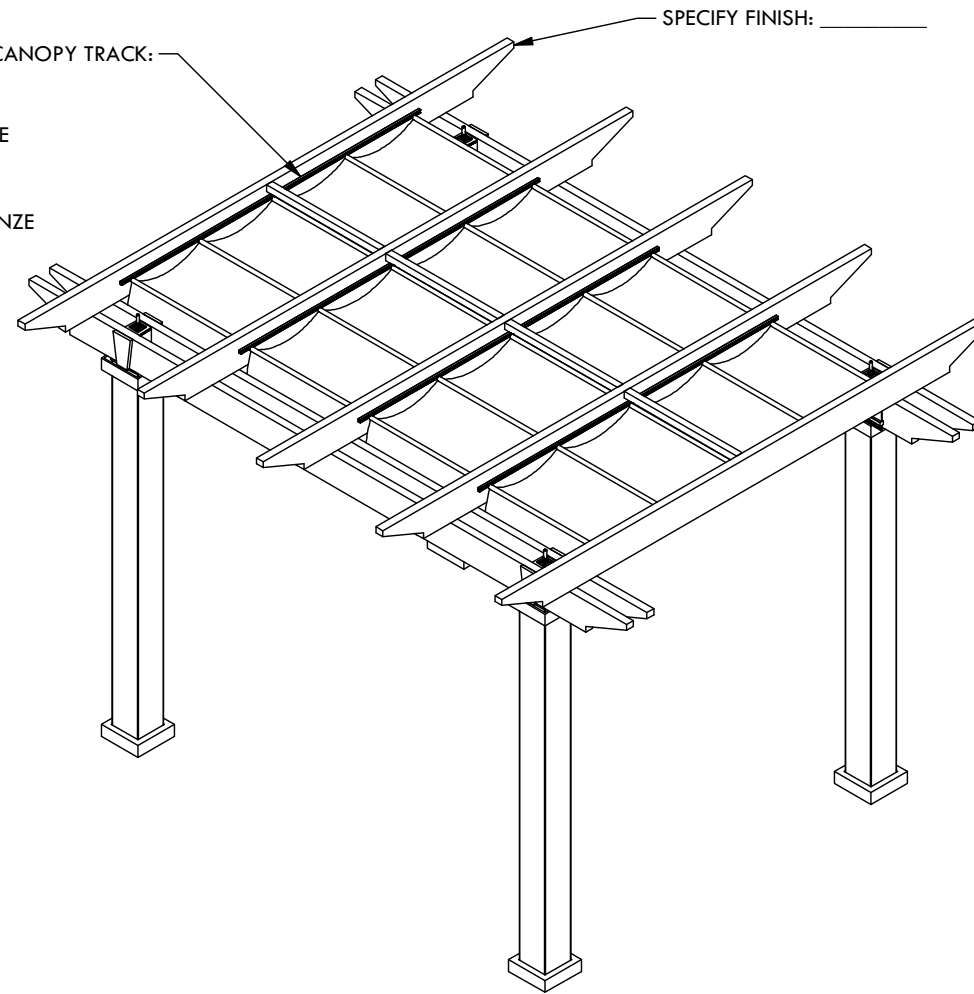
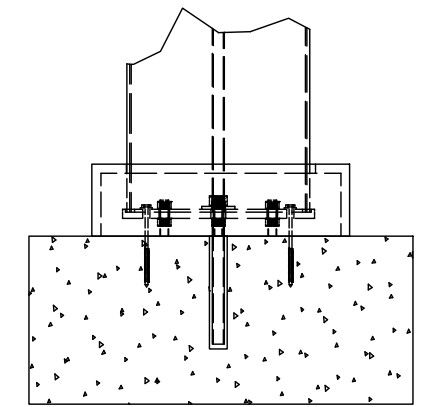


SPECIFY FINISH - CANOPY TRACK:

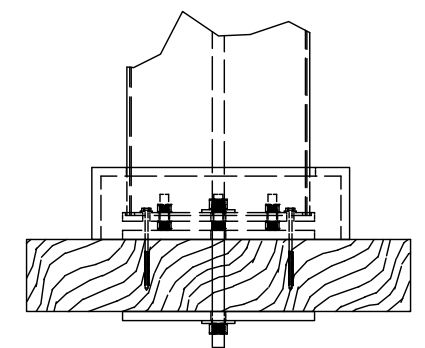
- SANDSTONE
- SEASHELL WHITE
- GREY
- STATUARY BRONZE
- JET BLACK



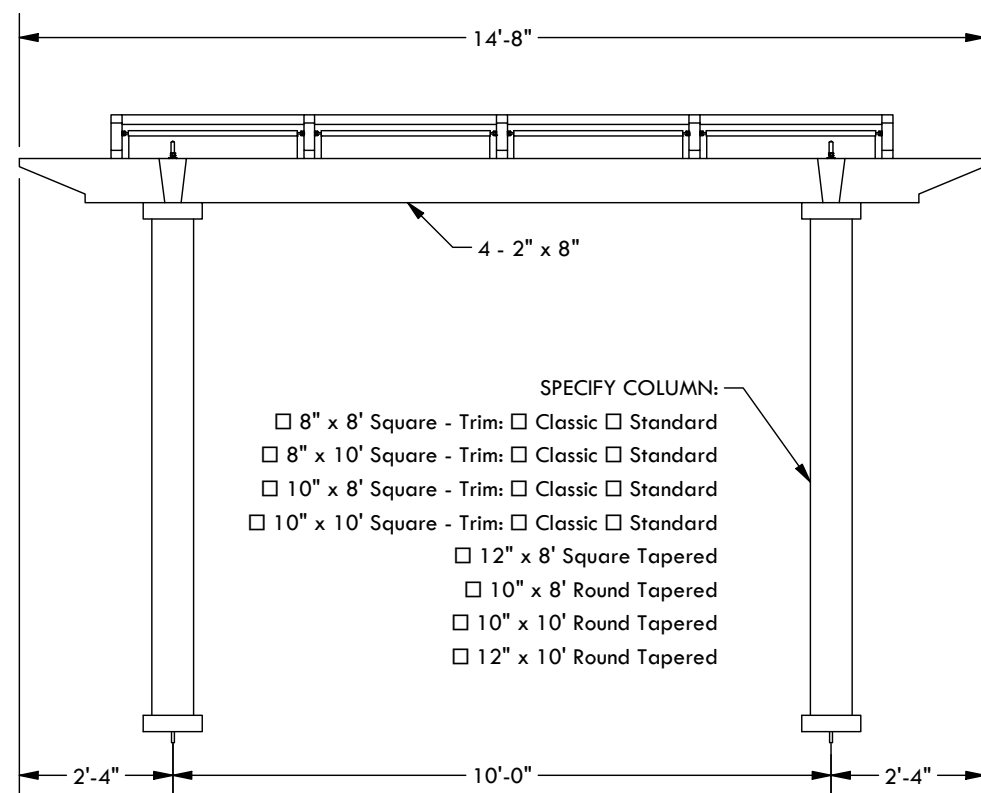
CLASSIC TRIM STANDARD TRIM



CONCRETE MOUNT

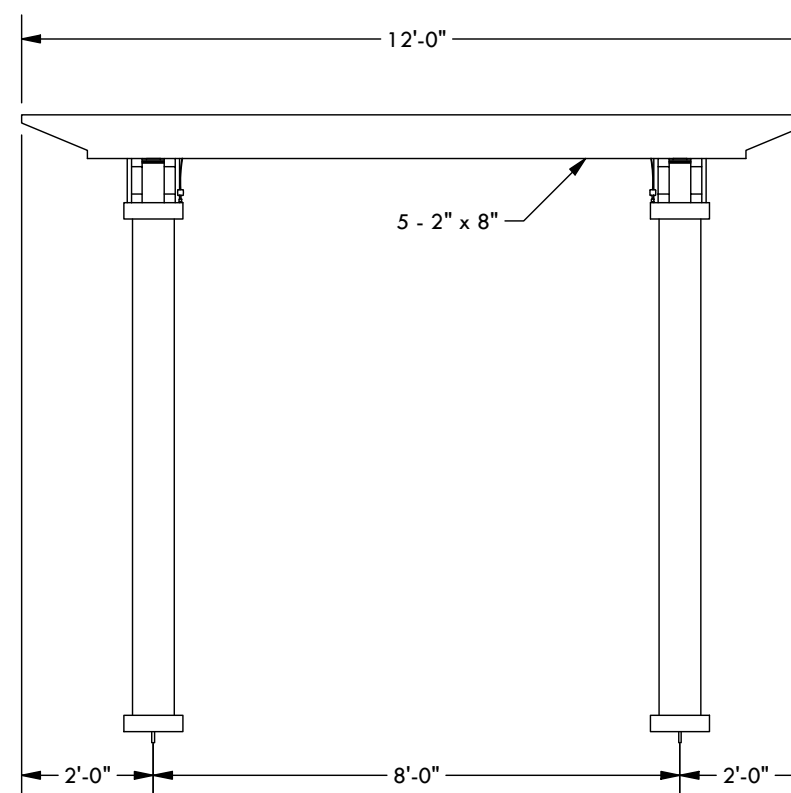


THROUGH BOLT MOUNT



SPECIFY COLUMN:

- 8" x 8' Square - Trim: Classic Standard
- 8" x 10' Square - Trim: Classic Standard
- 10" x 8' Square - Trim: Classic Standard
- 10" x 10' Square - Trim: Classic Standard
- 12" x 8' Square Tapered
- 10" x 8' Round Tapered
- 10" x 10' Round Tapered
- 12" x 10' Round Tapered



DESCRIPTION			
14' - 8" WIDE x 12' PROJECTION FREESTANDING MARQUEE			
REV	BY	DESCRIPTION	DATE
	SP	INITIAL RELEASE	06/22/23

© 2023 Structureworks

STRUCTUREWORKSTM

www.structureworks.com 877.489.8064