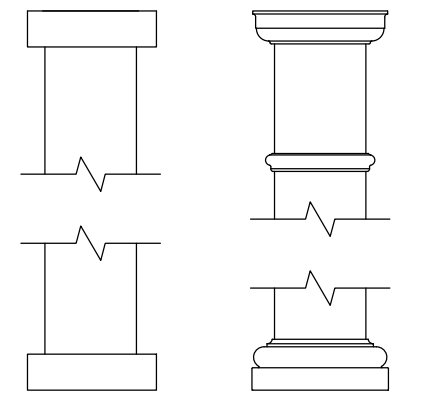
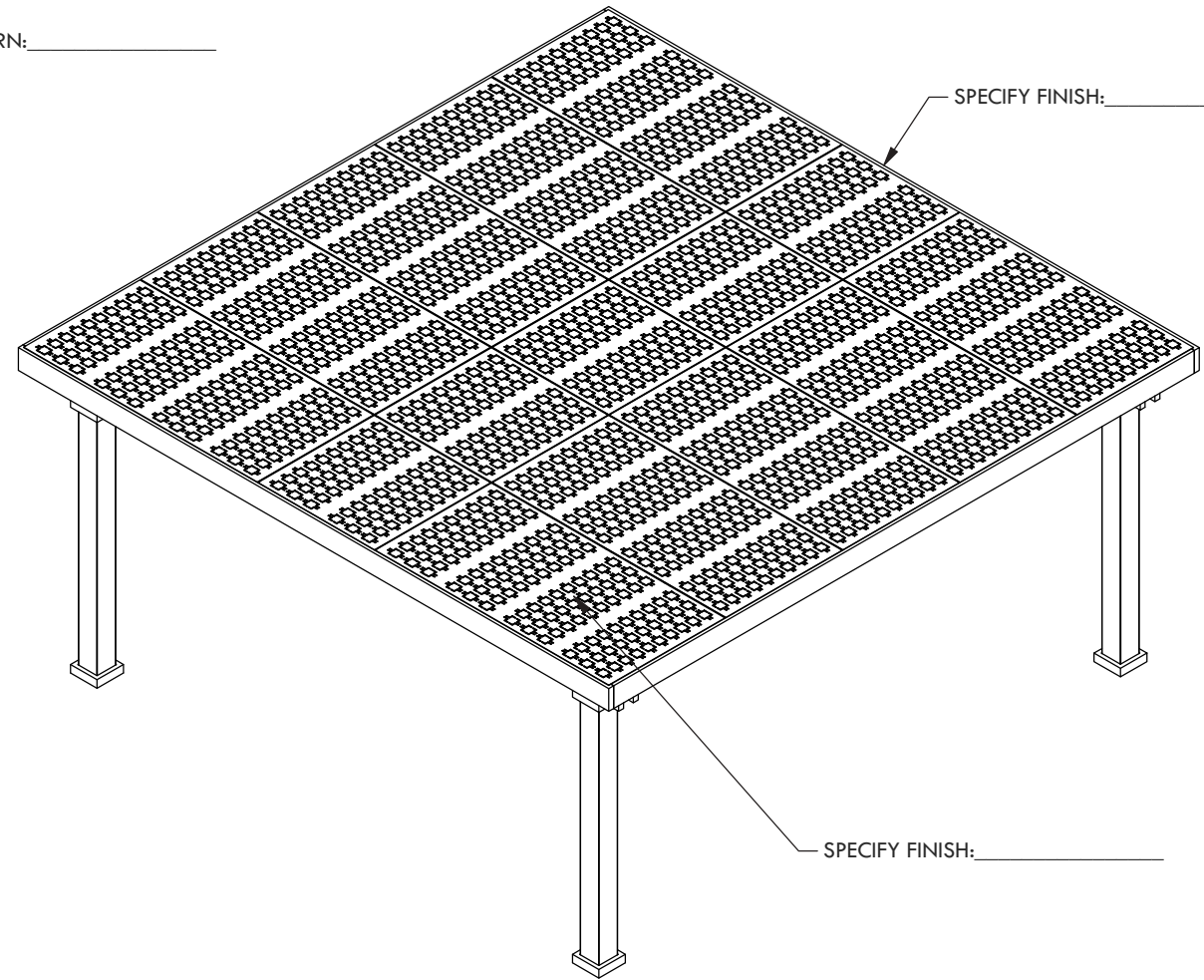
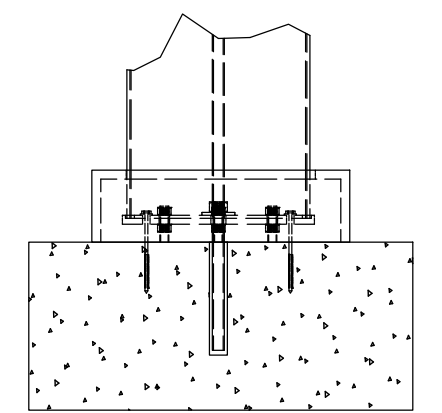


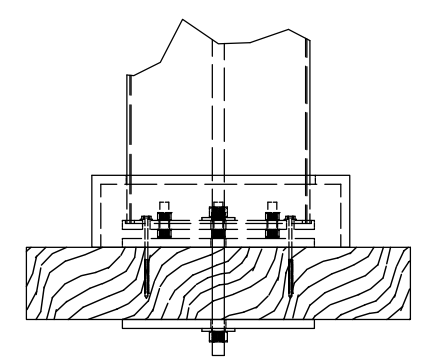
SPECIFY PATTERN:



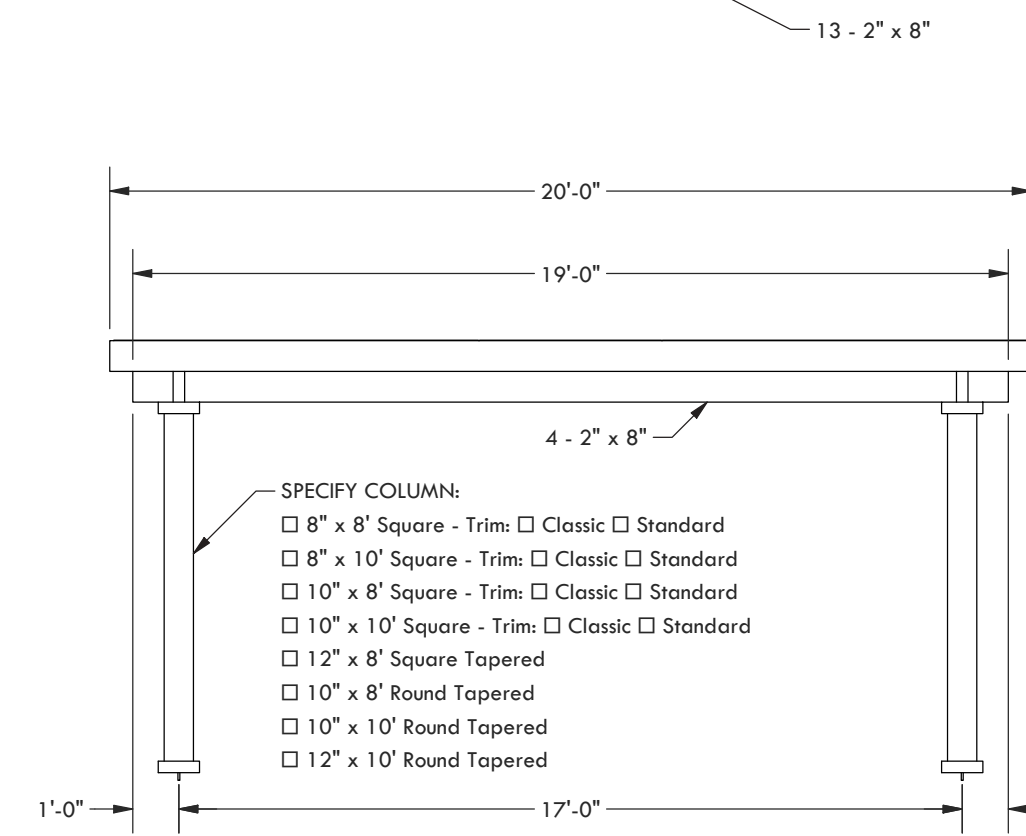
CLASSIC TRIM STANDARD TRIM



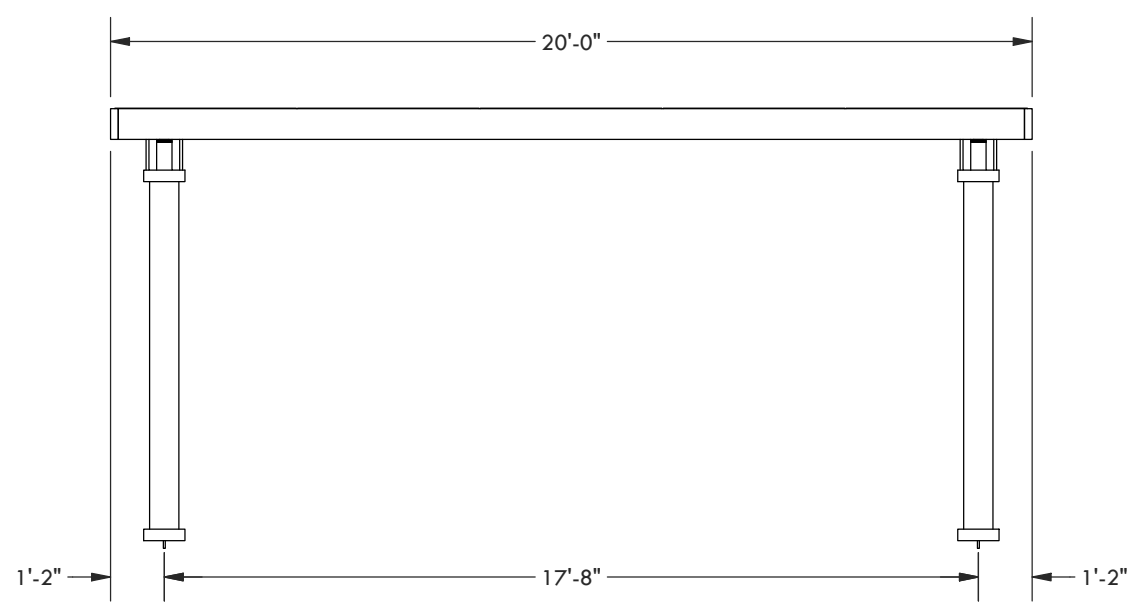
CONCRETE MOUNT



THROUGH BOLT MOUNT



- SPECIFY COLUMN:
- 8" x 8' Square - Trim: Classic Standard
 - 8" x 10' Square - Trim: Classic Standard
 - 10" x 8' Square - Trim: Classic Standard
 - 10" x 10' Square - Trim: Classic Standard
 - 12" x 8' Square Tapered
 - 10" x 8' Round Tapered
 - 10" x 10' Round Tapered
 - 12" x 10' Round Tapered



DESCRIPTION			
20' Wide x 20' Projection Freestanding Solare			
REV	BY	DESCRIPTION	DATE
	SP	INITIAL RELEASE	08/10/23

STRUCTUREWORKS™
www.structureworks.com 877.489.8064

© 2023 Structureworks